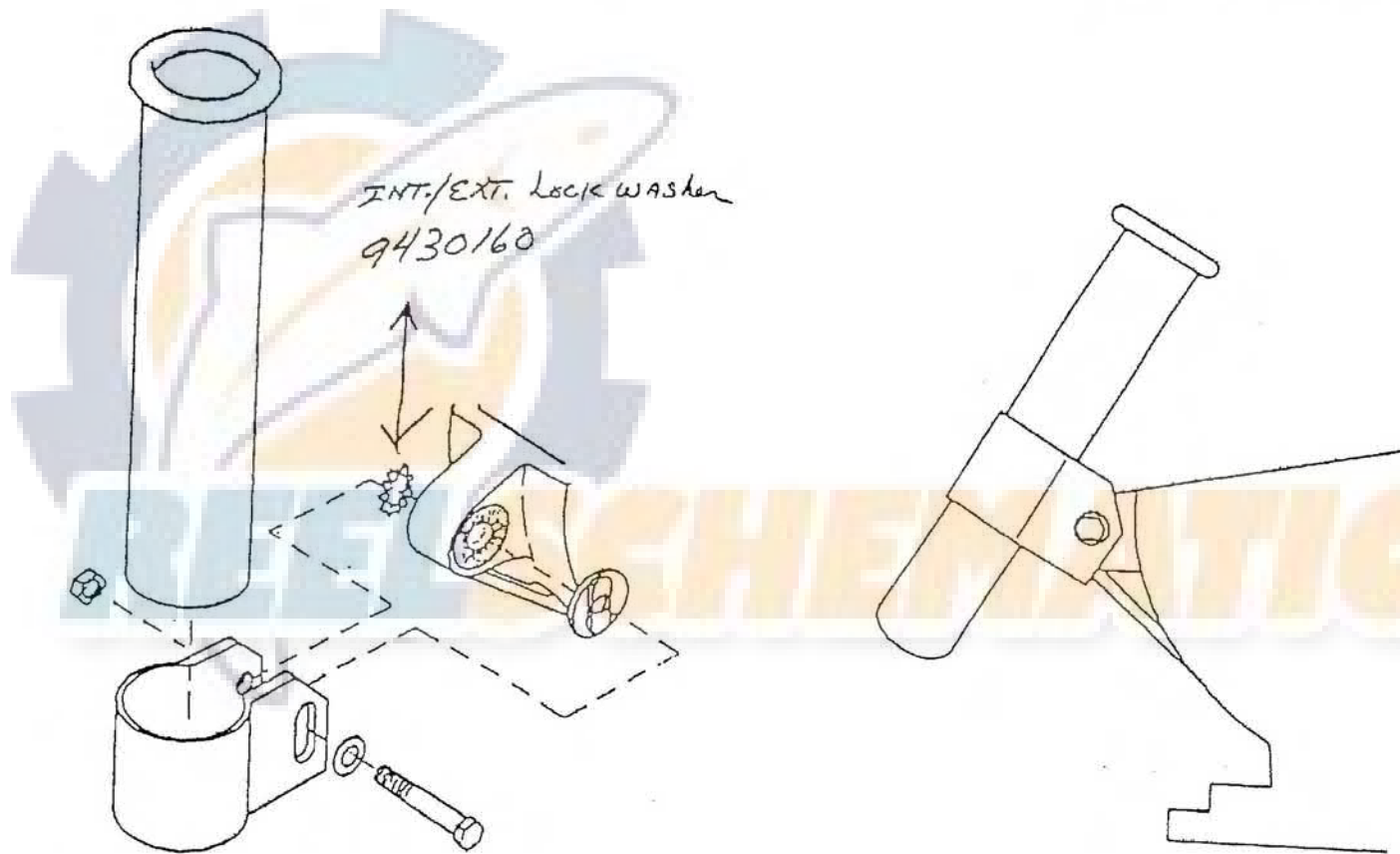


FOR SQUARE OR OBROUND

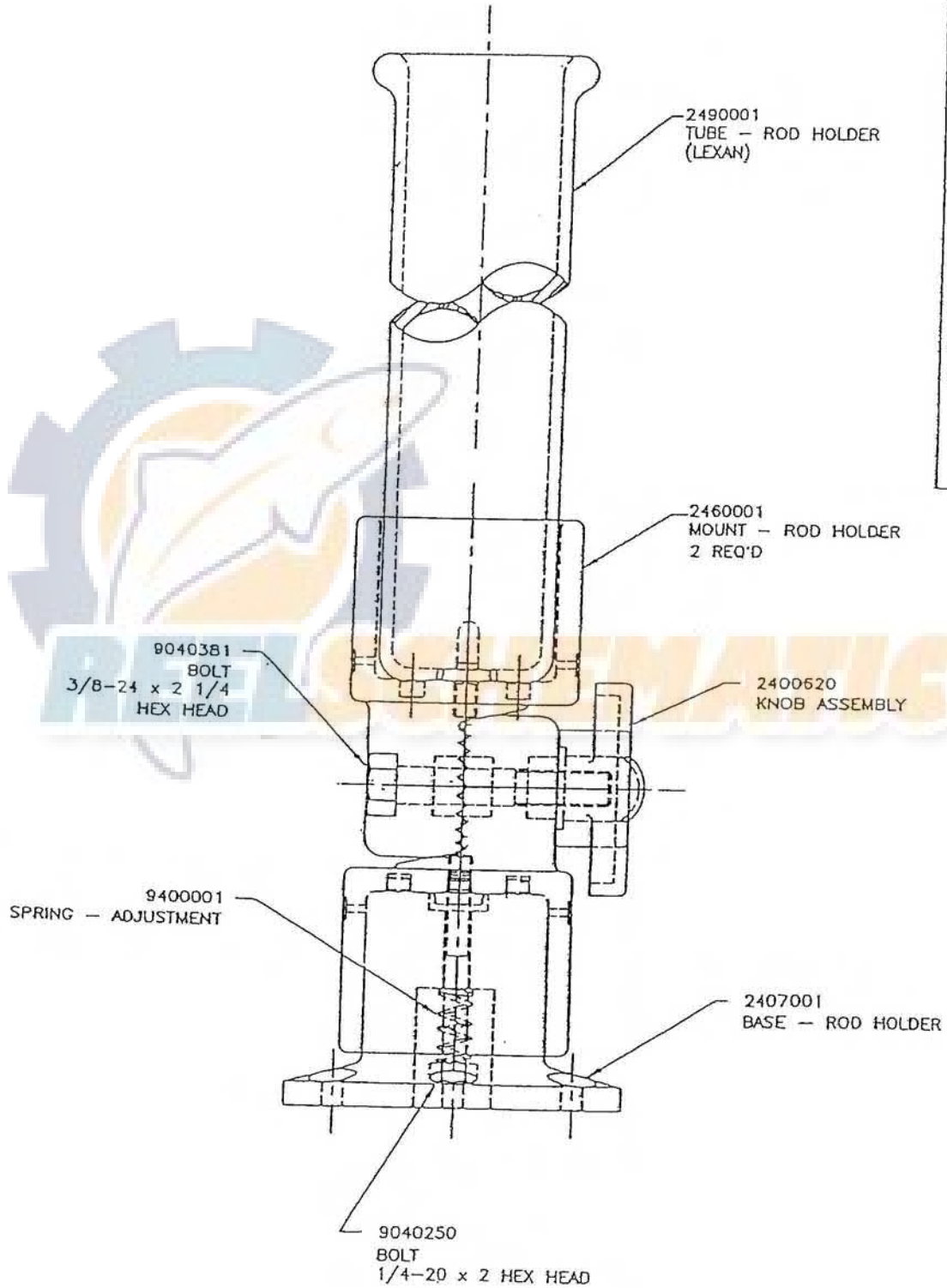
The new positive lock rod holder incorporates a clutch locking disk that allows the rod holder to be adjusted in 15° increments. Slide the clamp to the desired position on tube, being sure angled shoulders are up. Place locking disk into recess of frame and slip the clamp arms in place. Obround hole in clamp must engage obround boss on disk. Slide the star washer between the arm of the clamp and the boss on the frame, insert the bolt with the flat washer on it into the clamp, the disk, the boss, the star washer and the other arm of the clamp. Secure in place with the nut, tighten securely. The rod holder can be repositioned by loosening the nut. It does not have to be disassembled.



Part# 2281000

COMPONENTS OF ASSEMBLY NOT SHOWN:

- 2417001 CARTON - MULTI-MOUNT
- 2452001 LABEL - CARTON
- 2452002 LABEL - BAR CODE (BASE MOUNT)



DO NOT SCALE DRAWING	DATE OF LINDA [unclear] 2450002
FRACTIONS ± 1/64	DATE OF [unclear] 2450002
2 PLACE DECIMALS ± .03	DATE OF [unclear] 2450002
3 PLACE DECIMALS ± .010	DATE OF [unclear] 2450002
4 PLACE DECIMALS ± .0005	DATE OF [unclear] 2450002
ANGLES ± 1/2°	DATE OF [unclear] 2450002
TOLERANCE UNLESS OTHERWISE SPECIFIED	DATE OF [unclear] 2450002
USED ON BUSHING ROD HOLDER ASSY, PKG. (BASE MT.) ACCESSORY S & K PRODUCTS, INC. MUSKEGON, MICHIGAN	