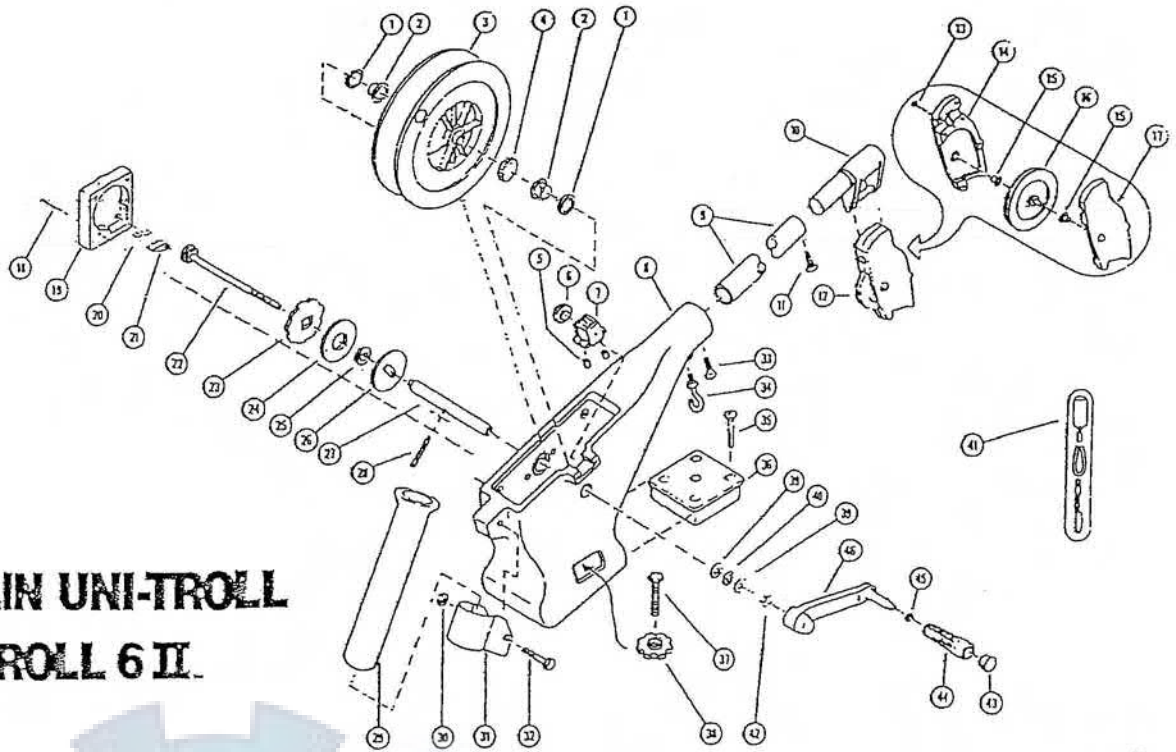


MARLIN UNI-TROLL

UNI-TROLL 6 II



Key No.	Part Name	Part No.	Comp. No.
1.	Spacer (2 needed)	C2875	9430210
2.	Bearing — clutch shaft (2 needed)	C2024	9010010
3.	Cable reel	C2300	0274000
4.	Gear — cable reel	C2026	0233560
5.	Tension pad — depth meter (2 needed)	C2893	0854654
6.	Gear only — depth meter	C2027	0833561
6. & 7.	Depth meter assembly	C2025A	2250126
8.	Body — White	C2921W	2046102
	Body — Black	C2721B	0800536
9.	Uni-Troll 6 II Boom for 18-inch	C2769	2290814
	42-inch BRUSHED STAINLESS	C2770	2290815
	66-inch BRUSHED STAINLESS	C2771	2290816
	Marlin Boom for 18-inch	C2912	2290817
	42-inch BLACK	C2913	2290818
	66-inch BLACK	C2914	2290819
9. & 10.	Uni-Troll 6 II Boom & head assembly		
	for 18-inch	C2887A	0850372
	42-inch BRUSHED STAINLESS RAW	C2888A	0850373
	66-inch	C2889A	0850374
	Marlin Boom & head assembly		
	for 18-inch	C2710A	2200364
	42-inch BLACK COATING	C2711A	2200366
	66-inch	C2712A	2200368
10.	Boom head	C2701	2216403
11.	Screw	C2382	9370070
12.	Swivel head assembly	C2043A	2250135
13.	Screw — swivel head (6 needed)	C2184	9370010
14.	Side plate — left	C2038L	0235046
15.	Bearing — pulley wheel (2 needed)	C2042	9010070
16.	Pulley wheel — swivel head	C2353	0269726
17.	Side plate — right	C2039R	0235045
18.	Screw — clutch cover (4 needed)	C3118	9370190
19.	Cover — clutch	C2271	1021480
20.	Spring — ratchet dog	C2282	9400070
21.	Dog — ratchet	C2283	9100160
22.	Ratchet shaft assembly	C2276A	1000904
23.	Ratchet plate	C2272	1067698

Key No.	Part Name	Part No.	Comp. No.
24.	Clutch pad	C2513	1064669
25.	Bushing — clutch pad	C2514	1064673
26.	Clutch plate	C2273	1267701
27.	Clutch shaft	C2275	1080753
28.	Set screw (half-dog 1/8" x 1")	C2285	9340130
29.	Tube — rod holder	C2033	0290796
30.	Nut — rod holder clamp (5/16"-18)	C2240	9130190
31.	Clamp — rod holder	C2183	0219470
32.	Bolt — rod holder clamp (5/16" x 1 3/4")	C2034	9040310
33.	Phillips screw (1/4"-20 x 3/4")	C2999	9280750
34.	Bait-Hook™ and jam nut	C2525A	0844123
35.	*Trus head screw (4 needed)	C2760	9280720
36.	Base — mounting	C2001A	1007334
37.	Bolt	C2004	9040340
38.	Lock down wheel	C2465	0849615
39.	Race — thrust bearing (2 needed)	C2690	9010310
40.	Thrust bearing	C2689	9010280
41.	Cushion swivel kit	C2191A	2250140
42.	Spring — thrust bearing	C2293	9400040
43.	Cap	C3010	0216407
44.	Handle	C2943	0240591
45.	Lock Ring	C3027	9100690
43., 44.,			
45. & 46.	Crank Handle Assembly	C3098A	0902000

*Caution: Use trus head screw only.

(4" trus head screw accessory no. C2776)

Any tackle dealer may order service parts. Check with your local dealer. For repair service, check listings of our service centers in the catalog or call for information.

Made in U.S.A.

All Cannon downriggers are covered by U.S. Pat. D-269,992

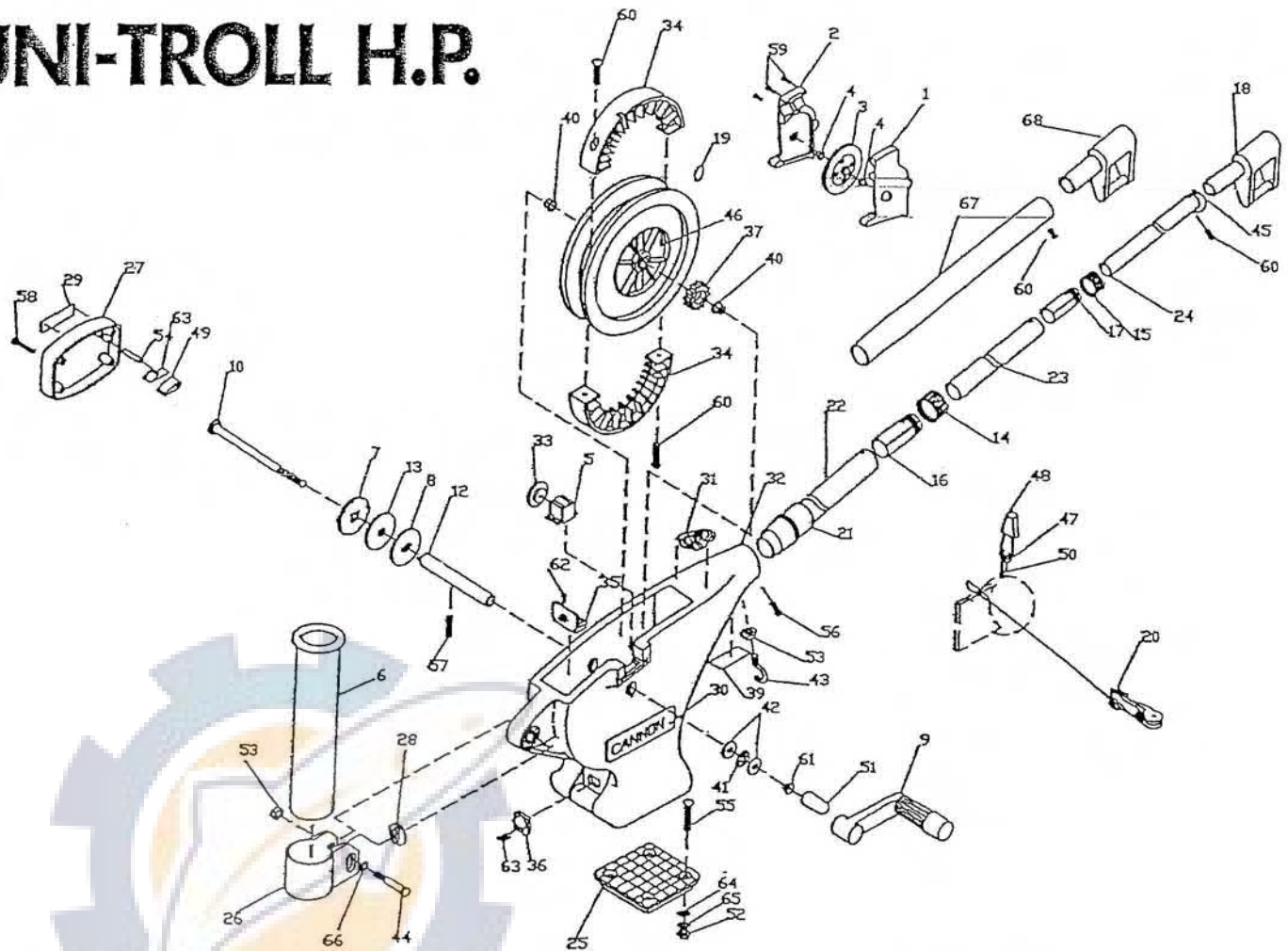
Copyright 1987, S & K Products, Inc. All rights reserved.

CANNON / S & K Products, Inc.
1732 Glade Street Muskegon, Michigan 49441

Form No. 1181000

ELECTRIC CONVERSION KIT IS AVAILABLE TO FULL ELECTRIC.
ASK YOUR DEALER FOR CANNON CONVERSION KIT (C2119AR) 2250136.

UNI-TROLL H.P.



Item	Part Number	Description
Exploded	0200135	ASY SWIVEL HEAD
1	*0267001	PLATE SIDE (RIGHT)
2	*0267002	PLATE SIDE (LEFT) W/O COUNTER
3	*0269726	PULLEY WHEEL SWIVEL HD
**4	*9010070	HDW BEARING BRASS
5	0220477	METER 3 DIGIT
6	0290796	TUBE ROD HOLDER
**7	0467694	HDW RATCHET BRAKE FACE
8	0467695	HDW REEL PLATE CLUTCH/BRAKE
9	0902000	HDW HANDLE CRANK ASM UT/PRR
10	1000904	ASY SHAFT RATCHET UT/6
11	1015391	WIR CABLE 316 SS.034 DIA 1X7 (NOT SHOWN)
12	1080001	SHAFT REEL ET/UT
13	1264670	ASY CLUTCH PAD SM HOLE
14	2219822	HDW CLAMP BASE TUBE NEW
15	2219823	HDW CLAMP INTER TUBE NEW
16	2222822	HDW COLLET BASE TUBE NEW
17	2222823	HDW COLLET INTER TUBE NEW
18	2227820	TELESCOPIC BOOM END
19	2276738	HDW RUBBER BAND 1 3/4" X 1/16"
20	2277002	HDW RELEASE ASM UNIVERSAL
21	2281820	LIT INS TELESCOPE BOOM
22	2290828	ASY TUBE BOOM BASE BLACK
23	2290829	ASY TUBE BOOM INTERMEDIATE BLK
24	2290830	ASY TUBE BOOM END BLACK
25	3307002	BAS LOW PROFILE MOUNTING
26	3319005	ASY HDW CLAMP ROD HOLDER OBOURND
27	3321001	COVER-CLUTCH
28	3325002	HDW DISC ROD HOLDER OBOURND
29	3327002	DEC EMBLEM 3/4 X 3 SMALL
30	3327003	DEC EMBLEM 1 X 4 LARGE
31	3327004	DEC EMBLEM NOSE UT
32	3330002	FRAMF - MIN SIZE

Item	Part Number	Description
35	3356050	HDW LATCH-SNAP
36	3356052	HDW KNOB SNAP LATCH
Exploded	3374001	ASY REEL & GEAR ASM HP
37	*3333004	GEAR REEL UT HP
38	608018	HDW RUBBERBAND 3 1/2" #19 (NOT SHOWN)
39	804002	DEC SERIAL LBL .5X1.5 SILVER
**40	9010001	HDW BEARING NYLINER KEYED
**41	9010280	HDW BEARING TORQUE TRANS
**42	9010310	HDW BEARING RACE TORQUE
43	9040040	HDW BOLT 1/4-20 ROLLED THD HOOK
44	9040310	HDW BOLT 5/16-18 X 2 HEX HEAD
45	9070502	HDW CABLE TIE NYLON
46	9100070	CON LEADER SLEEVE
47	9100100	CON TERMINATOR
48	9100101	CUSHION SLEEVE TERMINATOR
**49	9100160	DOG RATCHET
50	9100620	HDW SNAP SWIVEL MARLIN
51	9100721	HDW RETAINING BEARING
52	9130100	HDW NUT 1/4-20 HEX
53	9130190	HDW NUT 5/16-18 HEX
54	9250003	HDW PIN 3/16 X 7/8 DOWEL
55	9280725	HDW SCR 1/4 20X2 1/2 TRUSS HEAD
56	9280750	HDW SCR 1/4 20X3/4 RH PHIL
57	9340130	HDW SCR SET 5/16-18X1 IN 1/2 DG
58	9370001	HDW SCR #10X1 1/4 PAN HP TYPE
59	9370010	HDW SCR #4X 1/2 PAN HD PHIL
60	9370070	HDW SCR #8X5/8 PAN HD PHIL
61	9400040	HDW SPRING CRANK
62	9400050	HDW SPRING SNAP LATCH .625"
63	9400070	HDW SPRING DOG
64	9430040	HDW WAS 1/4 IN FLAT
65	9430070	HDW WAS 1/4 IN SPLIT LOCK
66	9430101	HDW WAS 5/16 IN FLAT