

GEAR BOX CONVERSION KIT

MODEL NUMBER: 10243
ITEM NUMBER: 110243
INSTRUCTIONS: 105157

WARRANTY INFORMATION



Please contact customer service directly at the E-mail or phone number listed below for any quality issues. **ONCE USED THIS PRODUCT CANNOT BE RETURNED TO STORE.**

**** Warranty cannot be honored without an original, dated receipt ****

This product is warranted to the original retail purchaser (from an authorized dealer) and is non-transferable. Clam Outdoors Inc. has a one year **manufacturer's defect warranty** from the date of original purchase. Defective parts will be replaced or repaired (at the manufacturer's option) if found to be defective within one (1) year from the date of original purchase. Warranty will be void if product has been subject to neglect, misuse, improper installation, misapplication, alteration, accident including but not limited to improper maintenance, or use of unauthorized parts or attachments. Please read the entire owner's manual to ensure proper installation, use and storage

To submit a warranty claim request, please use one of the following methods:

- Customer Service Hrs: 9am to 4pm, Monday – Friday Central Standard Time
- Clam Corporation
Attn: Customer Service – Warranty Department
12135 Brockton Lane
Rogers, MN 55369
- Phone: 763-231-4120
- Fax: 763-231-4121
- Email: customerservice@clamcorp.com
- Website: Clamoutdoors.com

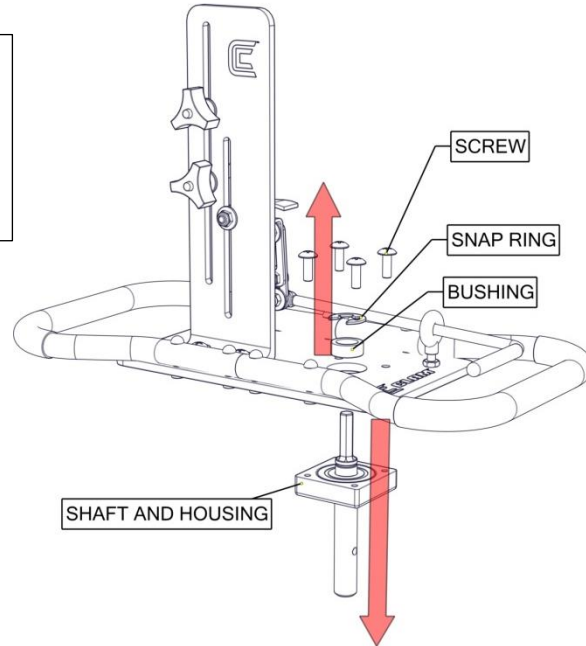
In your request, please include your full name, address, phone number, a copy of your receipt, a brief description of the problem, and pictures to clearly show the area(s) of concern. Our Warranty Department will review your request, and a Clam representative will contact you regarding your claim status. All returns must be shipped to us postage pre-paid.

LIMITATION OF LIABILITY

It is expressly understood that Clam Outdoors Inc. liability for its products, whether due to breach of warranty, negligence, strict liability, or otherwise, is limited to the repair of the product as stated above. Clam Outdoors Inc. is not liable for any injury, loss, damage, or expense, whether direct or consequential, including but not limited to loss of use, income, profit, or damage to material arising in connection with the sale, installation, use of, inability to use, or the repair or replacement of Clam Outdoors Inc. products. Clam Outdoors Inc. reserves the right to make alterations or modifications in its products at any time, which in its opinion, may improve the performance and efficiency of the product. Clam Outdoors Inc. shall not be obligated to make such alterations or modifications to products already in service. Due to Clam's continued product improvements, Clam reserves the right to change specifications without notice. For complete details see the assembly and or operating instructions that are provided and packed with the purchased product.

REMOVE CURRENT DRILL PLATE AUGER SHAFT

REMOVE THE MOTOR SHAFT ASSEMBLY BY REMOVING THE FOUR SCREWS HOLDING THE SHAFT ASSEMBLY ON THE DRILL PLATE



INSTALLING THE CONVERSION KIT

QTY.	PART NO.	DESCRIPTION
1	105047	ASSY, CONVERSION GEAR BOX
4	105050	SCREW, 1/4-20 X 2-1/2, FLANGED HEAD CAP
4	105048	NUT, 1/4-20 NYLOCK BO
1	105157	INSTRUCTIONS, GEAR BOX

INSTALL THE FOLLOWING ITEMS AS SHOWN AND SECURELY TIGHTEN IN PLACE

