



GEARED ICE AUGER CONVERSION KIT

MODEL NUMBER: 10634

ITEM NUMBER: 110634

Instructions No.-104993

WARRANTY INFORMATION



Please contact customer service directly at the E-mail or phone number listed below for any quality issues. **ONCE USED THIS PRODUCT CANNOT BE RETURNED TO STORE.**

**** Warranty cannot be honored without an original, dated receipt ****

This product is warranted to the original retail purchaser (from an authorized dealer) and is non-transferable. Clam Outdoors Inc. has a one year **manufacturer's defect warranty** from the date of original purchase. Defective parts will be replaced or repaired (at the manufacturer's option) if found to be defective within one (1) year from the date of original purchase. Warranty will be void if product has been subject to neglect, misuse, improper installation, misapplication, alteration, accident including but not limited to improper maintenance, or use of unauthorized parts or attachments. Please read the entire owner's manual to ensure proper installation, use and storage

To submit a warranty claim request, please use one of the following methods:

- Customer Service Hrs: 9am to 4pm, Monday – Friday Central Standard Time
- Clam Corporation
Attn: Customer Service – Warranty Department
12135 Brockton Lane
Rogers, MN 55369
- Phone: 763-231-4120
- Fax: 763-231-4121
- Email: customerservice@clamcorp.com
- Website: Clamoutdoors.com

In your request, please include your full name, address, phone number, a copy of your receipt, a brief description of the problem, and pictures to clearly show the area(s) of concern. Our Warranty Department will review your request, and a Clam representative will contact you regarding your claim status. All returns must be shipped to us postage pre-prepaid.

LIMITATION OF LIABILITY

It is expressly understood that Clam Outdoors Inc. liability for its products, whether due to breach of warranty, negligence, strict liability, or otherwise, is limited to the repair of the product as stated above. Clam Outdoors Inc. is not liable for any injury, loss, damage, or expense, whether direct or consequential, including but not limited to loss of use, income, profit, or damage to material arising in connection with the sale, installation, use of, inability to use, or the repair or replacement of Clam Outdoors Inc. products. Clam Outdoors Inc. reserves the right to make alterations or modifications in its products at any time, which in its opinion, may improve the performance and efficiency of the product. Clam Outdoors Inc. shall not be obligated to make such alterations or modifications to products already in service. Due to Clam's continued product improvements, Clam reserves the right to change specifications without notice. For complete details see the assembly and or operating instructions that are provided and packed with the purchased product.

KIT PARTS LIST

QTY.	PART NO.	DESCRIPTION
1	104992	ASSY, DRILL PLATE KIT W/O MOTOR SHAFT
1	110243	CONVERSION KIT GEAR BOX
1	104993	INSTRUCTIONS, 8" CONVERSION KIT COMBO W/GEAR BOX
1	110739	8" HAND AUGER W/PILOT BIT

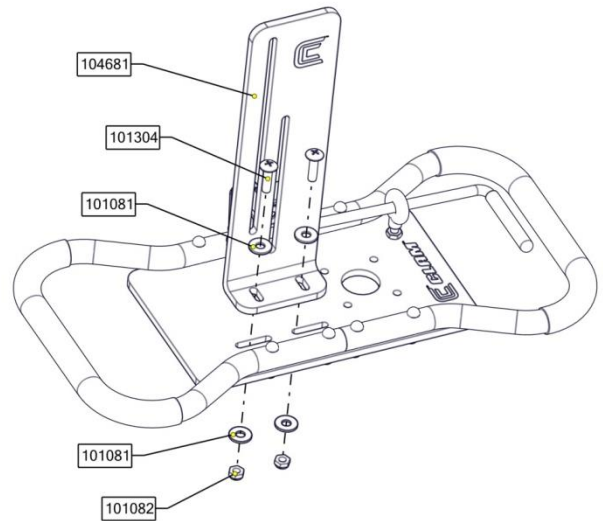
DRILL PLATE PARTS LIST (104992)

PART NO.	QTY.	DESCRIPTION
104687	1	ASSY, AUGER PLATE
104681	1	BRACKET, DRILL AUGER
104679	1	ASSY, AUGER, THROTTLE TRIGGER
101082	3	NUT, 1/4-20 THIN NYLOCK YZ
103956	2	ASSEM, ADJUSTMENT KNOB
101081	8	WASHER, 1/4 FLAT REG YZ
103954	1	SCREW, 1/4-20 X 1.75 PH SB GR5
103955	1	U-BOLT, 1/4 X 20
101304	2	SCREW, 1/4-20 X 1" THPHCZ

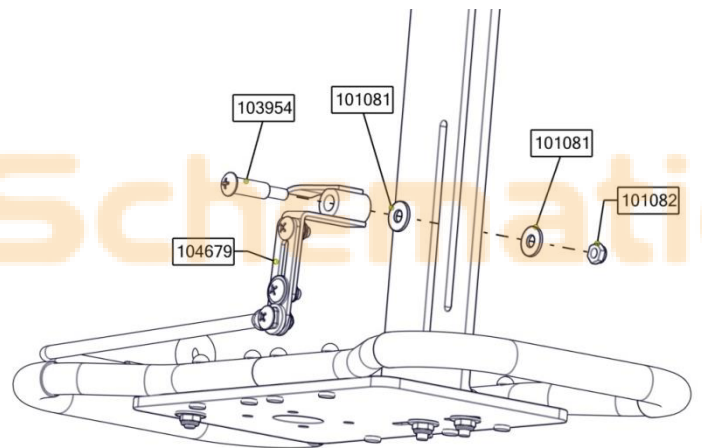
Note: Drill must be a 1/2" chuck drill and Clam recommends using at least an 18v DC drill for this setup. Industrial is even better. Drill should be set to "low" speed too for more torque.

Auger Drill Plate Assembly

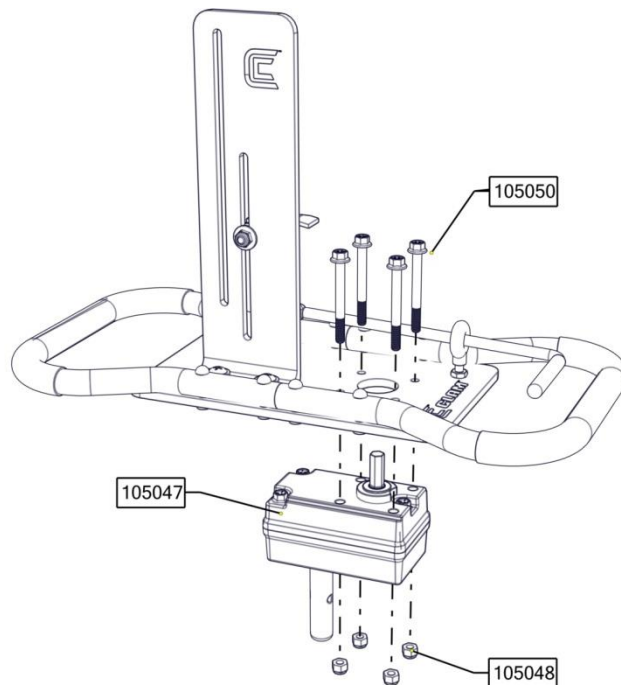
1. Install Bracket (104681) to main body using 2 screws(101304), 2 nuts(101082) and 4 washer(101081) Bracket must be positioned with Clam logo facing outward as shown. **(DO NOT TIGHTEN SECURELY)**



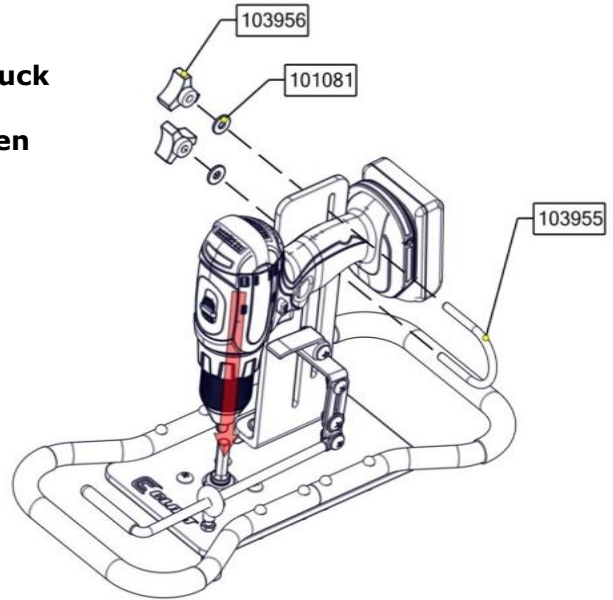
2. Install Throttle trigger assembly (104679) to Bracket (104681) using shoulder bolt (103954), 2 washers (101081) and nut (101082) as shown. **(DO NOT TIGHTEN SECURELY)**



3. Install Gear Box as shown. **(SECURELY TIGHTEN)**



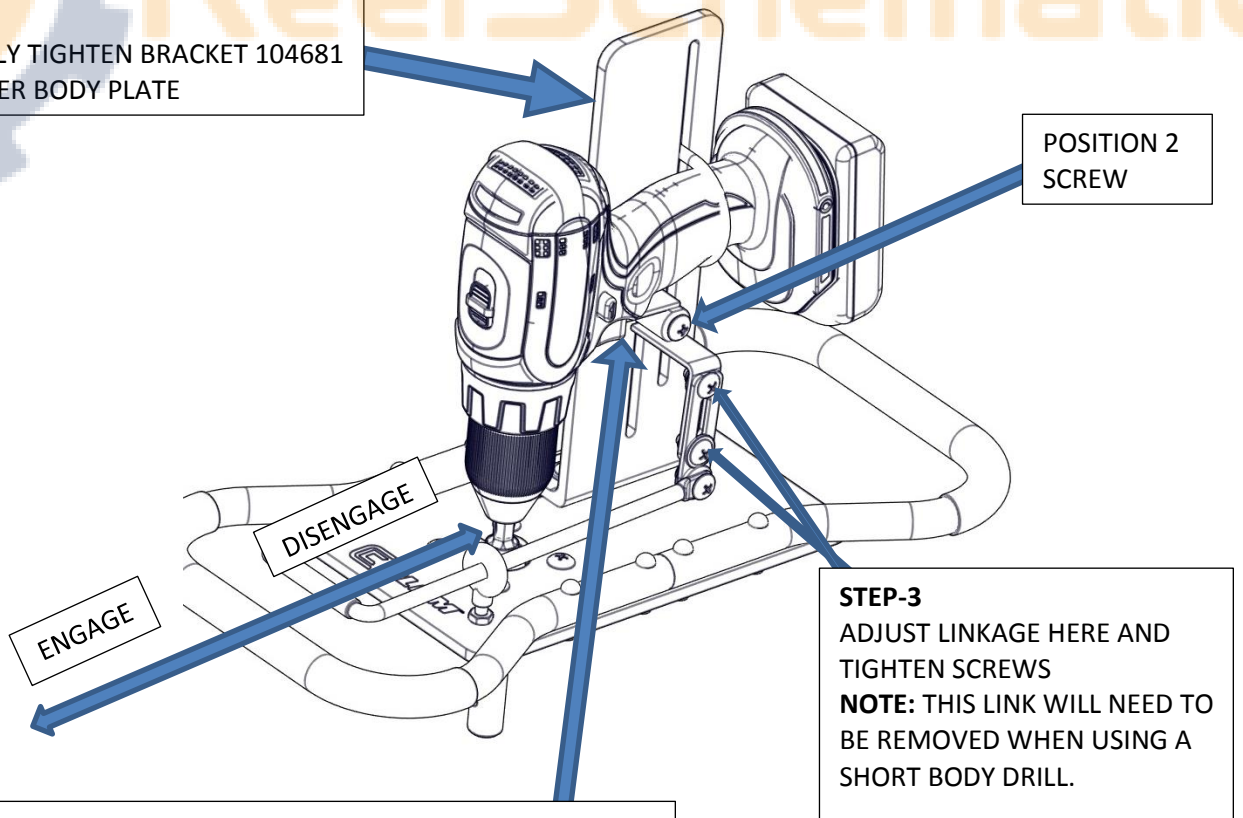
4. Place drill in position as shown and **tighten chuck securely** to auger shaft (104688). Slip U-bolt (103955) over drill handle and **securely tighten** to bracket (104681) using 2 washers (101081) and 2 knob handles (103956).



5. FINAL ADJUSTMENTS:

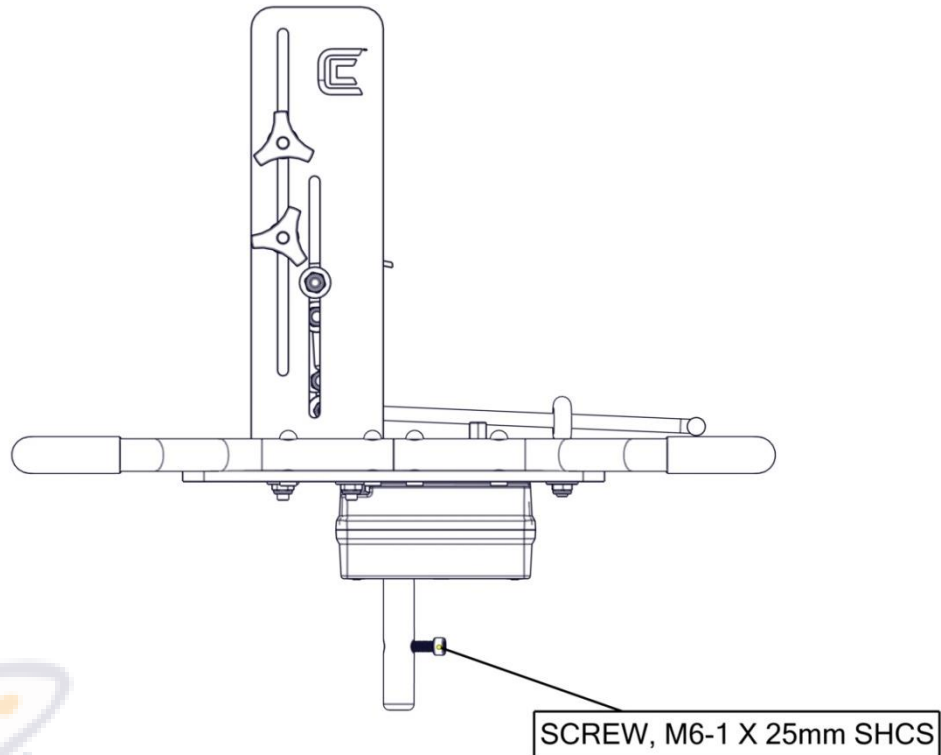
Adjust trigger paddle height so that the drill's trigger can be manipulated fully. You may need to adjust the side to side movement of the vertical bracket to achieve full depression of the trigger. Once trigger can be fully depressed by trigger linkage and paddle, tighten both the shoulder bolt going through the trigger paddle on linkage assembly to the vertical bracket, and the two bolts holding the vertical bracket in place to the drill plate.

STEP-1
SECURELY TIGHTEN BRACKET 104681
TO AUGER BODY PLATE




STEP-2:
POSITION TRIGGER PLATE DIRECTLY UNDERNEATH
THE ON OFF SWITCH BUTTON AND SECURELY TIGHTEN
SCREW DESIGNATED AS POSTION 2

STEP-3
ADJUST LINKAGE HERE AND
TIGHTEN SCREWS
NOTE: THIS LINK WILL NEED TO
BE REMOVED WHEN USING A
SHORT BODY DRILL.



6. Assembly is now complete and the auger drill plate assembly is ready to accept whatever auger you'd like to mount on the motor shaft with the supplied M6 X 25mm socket head bolt.

 **USE THE SUPPLIED M6-1 X 25mm SOCKET HEAD CAP SCREW TO FASTEN AUGER TO THE GEAR BOX OUTPUT SHAFT. WING NUTS CAN BE A SNAG HAZARD WHEN SPINNING**