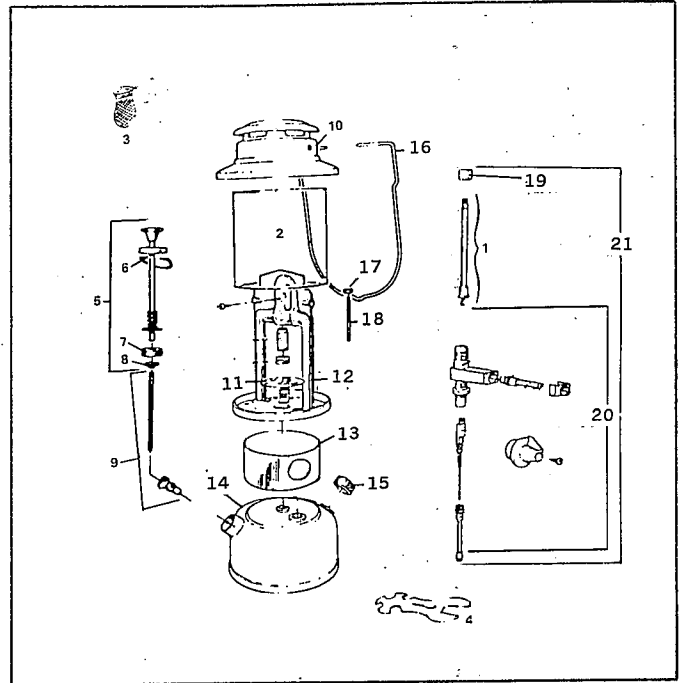


MODELS 321A



MODEL 321B

Code No.	Description	MODEL 321A
1	Globe	4
2	Generator (C	G3
3	Pump Leather	216-5091
4	Push-On Nut (Less Pump Leather)	242-1071
5	Pump Air Stem	242B5321
6	Check Valve	242B5381
7	Plunger (Less Air Stem)	242D5201
8	Fuel Tank	321A1481
9	Fount (Blue)	321A1654
10	Instrument	321A3031
11	Electrical	321A3041
12	Blade	321-3265
13	Rest (Collar)	321A4895
14	Rest Complete	321-6531
15	Rest	321A6541
16	Rest	321-603
17	Rest	321-6491
18	Valve Assembly (Less Generator)	321A6564
19	Generator Jamb Nut	335-2101
20	Burner Tube	335-3101
21	Burner Cap & Screen	335-3151
22	Bail	335-4235
23	Ventilator (Blue)	321-4854
24	Screw for Burner Tube	335-0601
25	Filler Plug, Gasket	425A1361
26	Filler Plug, (Complete)	425A1401
27	Pump Cap Clip	530A5071
28	Nut	604A4565
29	Wrench (Accessory)	605A9505
30	Mantle	999
31	No. 006 "O" Ring	5423-1341

Code No.	Description	Model 321B (Green)
1	Generator	G3*
2	Globe	4
3	Mantle	999
4	Wrench (Accessory)	605A9505
5	Plunger Ass'y Less Air Stem	242D5205
6	Pump Cap Clip	530A5075
7	Pump Leather & Washer	216-5091
8		
9	Air Stem & Check Valve	621-5361
10	Ventilator	339-4855
11	Heat Shield	321-4605
12	Burner Frame	335-3265
13	Globe Base Rest	321C4895
14	Fount with Check Valve	321C1591
15	Filler Plug	425A1401
16	Bail	335-4235
17	Nut	604A4565
18	Stud	321-6031
19	Generator Jamb Nut	335-2105
20	Valve Assembly Less Generator	321B6565
21	Valve & Generator Assembly	321B6575

*Not available in U.S.A.

*To convert 321 to 321A - See Service Bulletin 5/75.

*To convert 321A to 321B - See Service Bulletin.