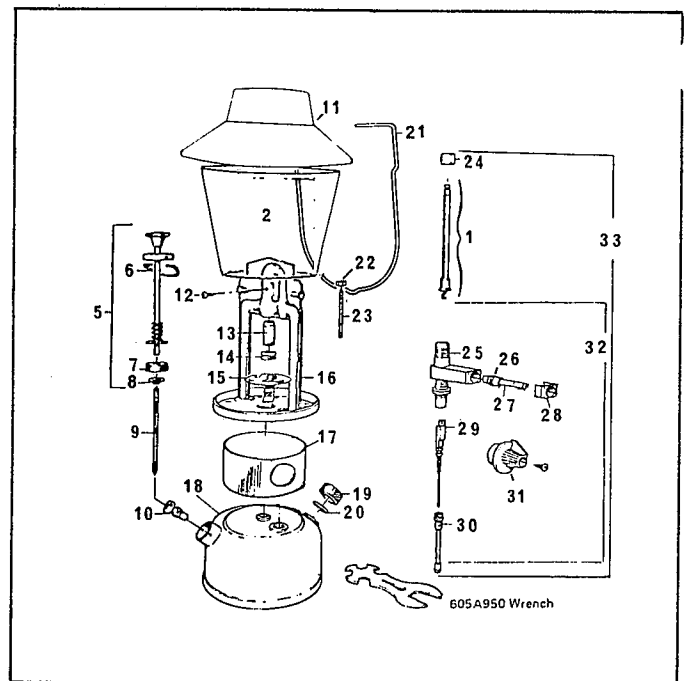


**MODEL 321C**



**"EASI-LITE" MODEL 331**

*880 Globe*

*99 Mantle*

Code No.	Description	Model 321C (Green)
1	Generator	G3A*
2	Globe	4
3	Mantle	999
4	Wrench (Accessory)	605A9505
5	Plunger Ass'y Less Air Stem	242D5205
6	Pump Cap Clip	530A5075
7 } 8 }	Pump Leather & Washer	216-5091
9	Air Stem & Check Valve	621-5361
10	Ventilator	339-4855
11	Heat Shield	321-4605
12	Burner Frame	321A3265
13	Globe Base Rest	321D4895
14	Fount with Check Valve	321C1591
15	Filler Plug	425A1401
16	Bail	335-4235
17	Nut	604A4565
18	Stud	321-6031
19	Generator Jamb Nut	335-2105
20	Valve Assembly Less Generator	321C6565
21	Valve & Generator Assembly	321C6575

\*Not available in U.S.A.

Code No.	Description	Part No.
1	Generator	A9505
2	Globe	42D5201
3	Mantle	330A5071
4	Wrench (Accessory)	246-5091
5	Plunger Ass'y Less Air Stem	242-1071
6	Pump Cap Clip	242B5321
7	Pump Leather <i>242-091</i>	242-5381
8	Push-On Nut	331-4855
9	Air Stem	335-0601
10	Check Valve <i>621-5361</i>	335-3101
11	Ventilator	335-3151
12	Screw for Burner Tube	321-4605
13	Burner Tube	335-3265
14	Burner Cap & Screen	331-4895
15	Heat Shield	331-1595
16	Burner Frame	425A1401
17	Globe Base Rest	425A1364
18	Fount With Chr	621-4235
19	Filler Plug <i>220C140C</i>	604A4565
20	Filler Plug G <i>1201B693</i>	321-6036
21	Bail	335-2105
22	Nut <i>288-1025</i>	321B6545
23	Stud	331-2211
24	Gener <i>Nut 288-1025</i>	321-A6511
25	Valve	321-B6011
26	"O"	321-1394
27	Vf With "O" Ring	321-1461
28	S	321-6491
29	Block Needle & "O" Ring	321B6565
30	je	321B6575
31	2 Screw	
32	Ass'y. Less Generator	
33	je & Generator Assembly	

\*Not Available Outside Canada.

**Parts... No Longer Available**