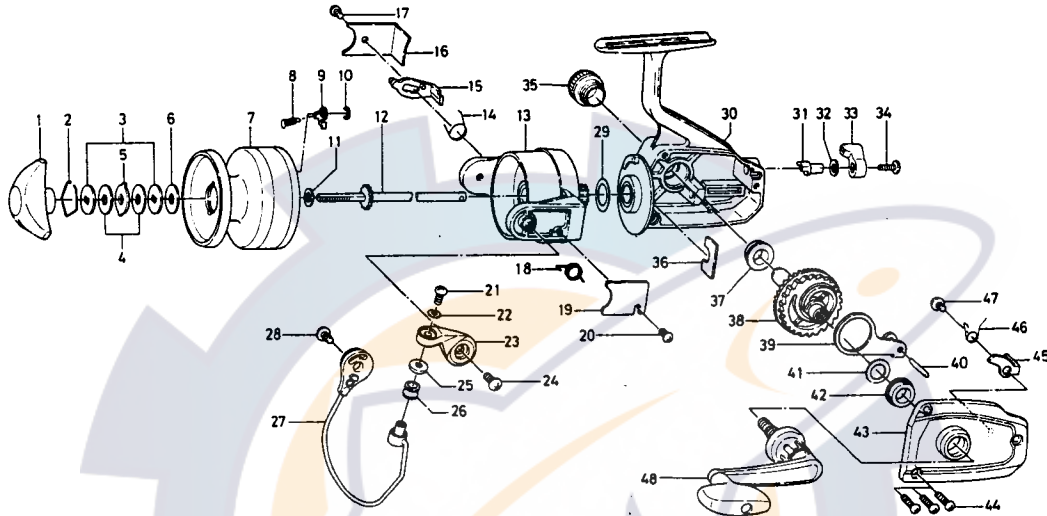


SPINNING REEL
APOLLO SILVER 130X



Key No.	Parts No.	Parts Name	Key No.	Parts No.	Parts Name
1	6-740-2702	Drag knob	25	6-501-1601	Roller collar
2	6-170-4001	Drag washer retainer	26	6-250-4221	Line roller
3	6-373-2502	Drag D washer	27	6-B18-5002	Bail
4	6-374-2901	Disc washer	28	6-353-8202	Bail holder screw
5	6-375-5301	Drag A washer	29	6-372-8600	Rotor washer
6	6-370-6901	Drag washer A	30	6-B38-5301	Body
7	6-734-1304	Spool	31	6-461-7701	Anti-reverse cam
8	6-144-1211	Spool click claw spring	32	6-150-1751	Anti-reverse lever washer
9	6-B07-5301	Spool click claw	33	6-B18-7401	Anti-reverse lever
10	6-320-5901	Spool click claw retainer	34	6-351-8302	Anti-reverse lever screw
11	6-374-9002	Spool washer	35	6-B22-4501	Handle screw cap
12	6-B19-0301	Main shaft	36	6-632-6601	Pinion retainer
13	6-B19-0002	Rotor	37	6-B12-9001	Bearing metal
14	6-B18-4701	Bail kick lever spring	38	6-B19-0601	Drive gear
15	6-B18-4801	Bail kick lever	39	6-B19-0501	Oscillating slider
16	6-B18-4901	Bail kick lever cover	40	6-121-1211	Oscillating slider pin
17	6-352-0402	Bail kick lever cover screw	41	6-373-0100	Drive gear washer
18	6-B18-4401	Bail spring	42	6-B12-9001	Bearing metal
19	6-B18-4601	Bail spring cover	43	6-B38-5202	Body cover
20	6-352-0402	Bail spring cover screw	44	6-351-5904	Body cover screw
21	6-353-8202	Bail screw	45	6-B18-9201	Anti-reverse claw
22	6-375-1001	Bail washer	46	6-144-8211	Anti-reverse claw spring
23	6-B18-4501	Arm lever	47	6-351-7701	Anti-reverse claw screw
24	6-353-8202	Arm lever screw	48	6-B38-5401	Handle

Sold as one unit
 Spool assembly
 6-733-2707