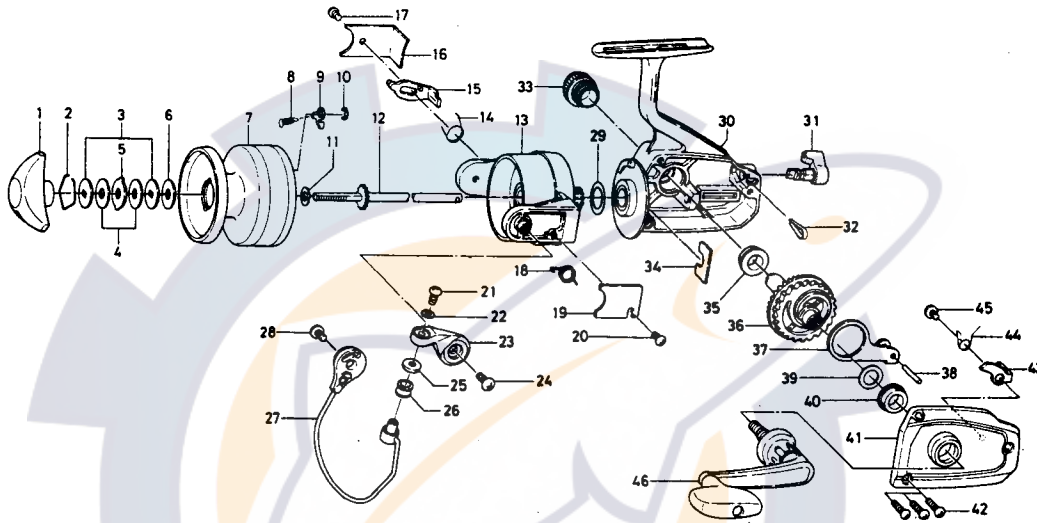


**SPINNING REEL  
APOLLO SILVER 160X**



Key No.	Parts No.	Parts Name
1	6-740-2103	Drag knob
2	6-170-4001	Drag washer retainer
3	6-373-2502	Drag D washer
4	6-374-2901	Disc washer
5	6-375-5301	Drag A washer
6	6-370-6901	Drag washer A
7	6-B18-0403	Spool
8	6-144-1211	Spool click claw spring
9	6-B07-5302	Spool click claw
10	6-320-5901	Spool click claw retainer
11	6-371-8331	Spool washer
12	6-B18-5301	Main shaft
13	6-B18-4202	Rotor
14	6-B18-4701	Bail kick lever spring
15	6-B18-4801	Bail kick lever
16	6-B18-4901	Bail kick lever cover
17	6-352-0402	Bail kick lever cover screw
18	6-B18-4401	Bail spring
19	6-B18-4601	Bail spring cover
20	6-352-0402	Bail spring cover screw
21	6-353-8202	Bail screw
22	6-375-1001	Bail washer
23	6-B18-4501	Arm lever
		Sold as one unit
		Spool assembly
		6-B18-0604

Key No.	Parts No.	Parts Name
24	6-353-8202	Arm lever screw
25	6-502-1601	Roller collar
26	6-250-4221	Line roller
27	6-B18-5001	Bail
28	6-353-8202	Bail holder screw
29	6-370-9800	Rotor washer
30	6-B38-6101	Body
31	6-B18-4101	Anti-reverse lever
32	6-B11-4301	Anti-reverse lever spring
33	6-363-4703	Handle screw cap
34	6-632-6601	Pinion retainer
35	6-B07-3301	Bearing metal
36	6-B20-3201	Drive gear
37	6-480-7501	Oscillating slider
38	6-121-1211	Oscillating slider pin
39	6-371-2800	Drive gear washer
40	6-B07-3301	Bearing metal
41	6-B38-6201	Body cover
42	6-351-5904	Body cover screw
43	6-111-7101	Anti-reverse claw
44	6-142-3961	Anti-reverse claw spring
45	6-351-6102	Anti-reverse claw screw
46	6-747-1101	Handle