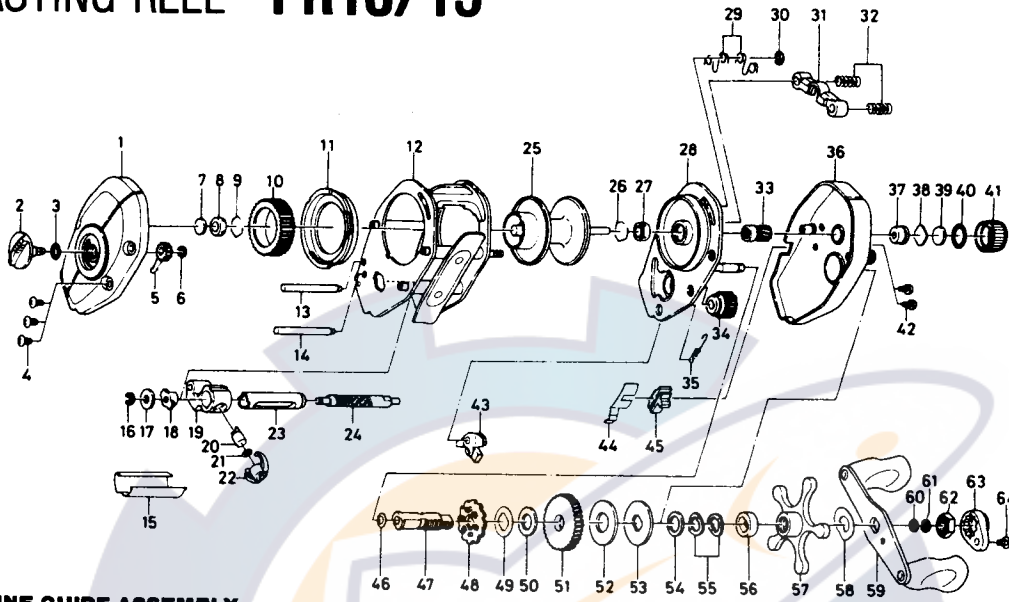




# BAITCASTING REEL PR10/15



**\*IMPROVED LINE GUIDE ASSEMBLY**

|    |          |                   |      |
|----|----------|-------------------|------|
| 19 | E02-2320 | Line Guide        | 4.75 |
| 20 | B71-0101 | Line guide pin    | 1.20 |
| 21 | 373-1303 | Line guide washer | 0.40 |
| 22 | 342-4802 | Line guide nut    | 0.75 |

| Key No. | Parts No. | Parts Name                    | Price Each | Key No.                   | Parts No. | Parts Name                | Price Each |
|---------|-----------|-------------------------------|------------|---------------------------|-----------|---------------------------|------------|
| 1       | E02-9201  | Left side plate               | 6.10       | 38                        | B17-5401  | Spool adjusting cap metal | 0.40       |
| 2       | B98-5001  | Brake adjusting knob          | 0.75       | 39                        | B17-5501  | Spacer                    | 0.40       |
| 3       | 637-0601  | "O" ring                      | 0.60       | 40                        | 171-5201  | "O" ring                  | 0.55       |
| 4       | B36-0402  | Left side plate screw         | 0.50       | 41                        | B35-7305  | Cast control cap          | 1.55       |
| 5       | B54-1701  | Brake adjusting gear          | 1.25       | 42                        | B36-0402  | Set plate screw           | 0.50       |
| 6       | 320-4202  | Brake adjusting gear retainer | 0.40       | 43                        | B74-0501  | Anti-reverse pawl         | 1.10       |
| 7       | 375-7400  | Spacer                        | 0.35       | 44                        | E01-7101  | Anti-reverse lever spring | 0.45       |
| 8       | B35-8601  | Ball bearing                  | 7.80       | 45                        | E01-7001  | Anti-reverse lever        | 0.45       |
| 9       | B42-1601  | Bearing retainer              | 0.40       | 46                        | 373-7611  | Drive shaft washer A      | 0.40       |
| 10      | B66-1201  | Magnet holder                 | 4.50       | 47                        | B35-9602  | Drive shaft               | 2.10       |
| 11      | E03-1601  | Magnet holder collar          | 0.50       | 48                        | B86-5101  | Anti-reverse ratchet      | 1.10       |
| 12      | E02-9801  | Frame                         | 16.15      | 49                        | B95-7501  | Drive shaft washer B      | 0.35       |
| 13      | E03-1401  | Stabilizer bar A              | 0.75       | 50                        | 375-7103  | Drag washer A             | 0.35       |
| 14      | E03-1401  | Stabilizer bar B              | 0.75       | 51                        | B85-2101  | Drive gear                | 8.15       |
| 15      | B98-7202  | Line guard                    | 5.15       | 52                        | B36-0202  | Drag washer B             | 0.50       |
| 16      | 320-5901  | Worm shaft retainer           | 0.40       | 53                        | B36-0301  | Key washer                | 0.50       |
| 17      | 376-1801  | Worm shaft holder washer      | 0.40       | 54                        | 373-7803  | Drag washer C             | 0.50       |
| 18      | B71-5601  | Worm bearing                  | 0.40       | 55                        | 150-8901  | Drag spring washer        | 0.40       |
| 19      | E02-3201  | Line guide                    | 3.35       | 56                        | 634-5801  | Spacing sleeve            | 0.40       |
| 20      | B98-7601  | Line guide pawl               | 0.55       | 57                        | B36-0504  | Star drag                 | 4.75       |
| 21      | 375-0800  | Line guide washer             | 0.40       | 58                        | 150-9001  | Friction washer           | 0.40       |
| 22      | B98-7701  | Pawl cap                      | 0.75       | 59                        | B46-5801  | Handle assembly           | 4.95       |
| 23      | B99-1801  | Level wind guard              | 1.90       | 60                        | B41-1701  | Drive shaft washer C      | 0.40       |
| 24      | B99-1901  | Worm shaft                    | 7.40       | 61                        | 320-8202  | Drive shaft retainer      | 0.35       |
| 25      | B87-3001  | Spool                         | 15.00      | 62                        | B43-3601  | Handle nut                | 0.55       |
| 26      | B42-1601  | Bearing retainer              | 0.40       | 63                        | B43-3903  | Handle nut plate          | 0.55       |
| 27      | B35-8601  | Ball bearing                  | 7.80       | 64                        | 351-1803  | Handle nut plate screw    | 0.35       |
| 28      | E02-8702  | Set plate                     | 15.15      |                           |           |                           |            |
| 29      | B81-5503  | Set plate spring              | 0.40       | <b>PR15 Special Parts</b> |           |                           |            |
| 30      | 320-1402  | Clutch ret. ring              | 0.40       | 12                        | E02-9901  | Frame                     | 16.35      |
| 31      | B35-9001  | Yoke                          | 0.75       | 13                        | E03-1501  | Stabilizer bar A          | 0.90       |
| 32      | 144-7101  | Yoke spring                   | 0.50       | 14                        | E03-1501  | Stabilizer bar B          | 0.90       |
| 33      | B87-0901  | Pinion gear                   | 7.65       | 15                        | B98-9102  | Line guard                | 5.20       |
| 34      | B99-2001  | Worm shaft gear               | 0.85       | 23                        | B99-2101  | Level wind guard          | 1.70       |
| 35      | B35-8901  | Anti-reverse pawl spring      | 0.50       | 24                        | B99-2201  | Worm shaft                | 7.90       |
| 36      | E03-0601  | Right side plate              | 14.15      | 25                        | B89-2601  | Spool                     | 15.00      |
| 37      | B64-3101  | Bush                          | 0.60       | 36                        | E03-0602  | Right side plate          | 14.15      |

**\*NOTE: IT IS RECOMMENDED THAT THESE FOUR PARTS BE REPLACED WITH THE ABOVE IMPROVED LINE-GUIDE ASSEMBLY.**