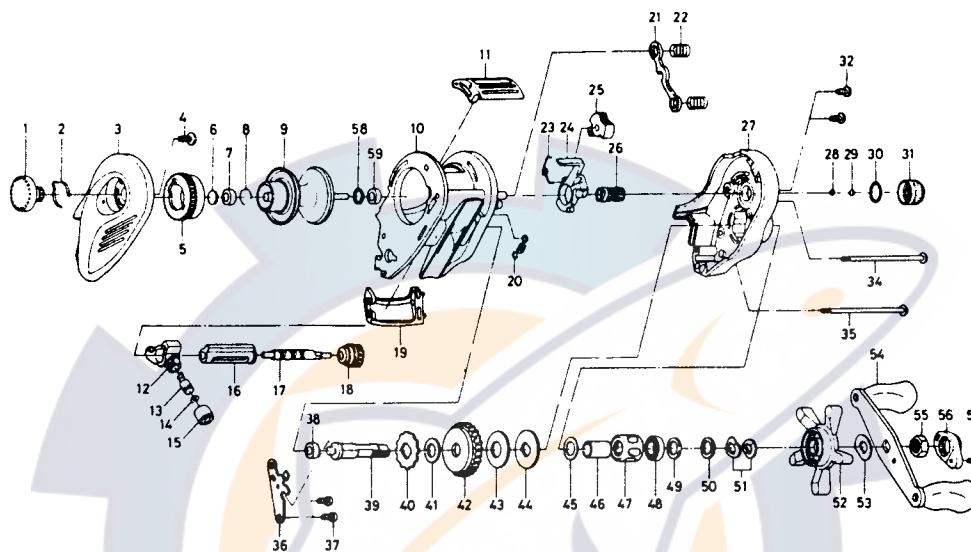




Please order by part number, not key number.

BAITCASTING REEL PS1-Bi



Key NO.	Parts No.	Parts Name	Key NO.	Parts No.	Parts Name
1	F16-6603	Brake adjusting knob	35	F29-9301	Right side plate screw
2	F26-2701	Brake click spring	36	F16-5401	Drive shaft retainer
3	F16-6403	Left side plate	37	B83-4402	Drive shaft retainer screw
4	B84-2102	Brake adjusting knob screw	38	B55-0301	Bushing A
5	E23-9501	Magnet holder	39	F16-5301	DRive shaft
6	375-7405	Spacer A	40	E32-7701	Anti-reverse ratchet
7	B55-0301	Bushing A	41	375-7103	Drive shaft washer
8	B42-1601	Bearing retainer	42	F16-5601	Drive gear
9	F16-6701	Spool assembly	43	B36-0209	Drag washer
10	F16-4602	Frame assembly	44	B36-0303	Key washer
11	F16-5001	Clutch lever	45	E42-5401	Spacing sleeve A
12	F16-5901	Line guide	46	F05-3301	Gear shaft collar
13	121-4212	Line guide pawl	47	F29-9401	Roller clutch
14	375-4100	Line guide washer	48	F05-5501	Ball bearing
15	342-4801	Pawl cap	49	373-7803	Ball bearing collar
16	E23-8201	Level wind guard	50	373-7810	Spacing sleeve B
17	E24-7103	Worm shaft	51	150-8901	Drag spRING washer
18	F16-5801	Worm shaft gear	52	F02-8301	Star drag
19	F16-4903	Line guard	53	150-9001	Friction washer
20	144-2501	Clutch trip plate spring	54	E30-5201	Handle assembly
21	E23-7701	Yoke	55	B43-3601	Handle nut
22	E16-7101	Yoke spring	56	F05-4401	Handle nut plate
23	E24-9001	Clutch cam spring	57	351-1803	Handle nut plate screw
24	E23-7401	Clutch cam	58	F12-0701	Bearing washer
25	E24-9101	Flipping/casting selector	59	E35-1501	Bushing B
26	F16-5501	Pinion gear			
27	F16-6104	Right side plate			
28	E16-9201	Spool adjusting cap metal			
29	E17-0501	Spacer B			
30	171-5201	"O" ring			
31	F12-4602	Cast control cap			
32	E33-0401	Set plate screw			
34	F29-9301	Right side plate Screw			