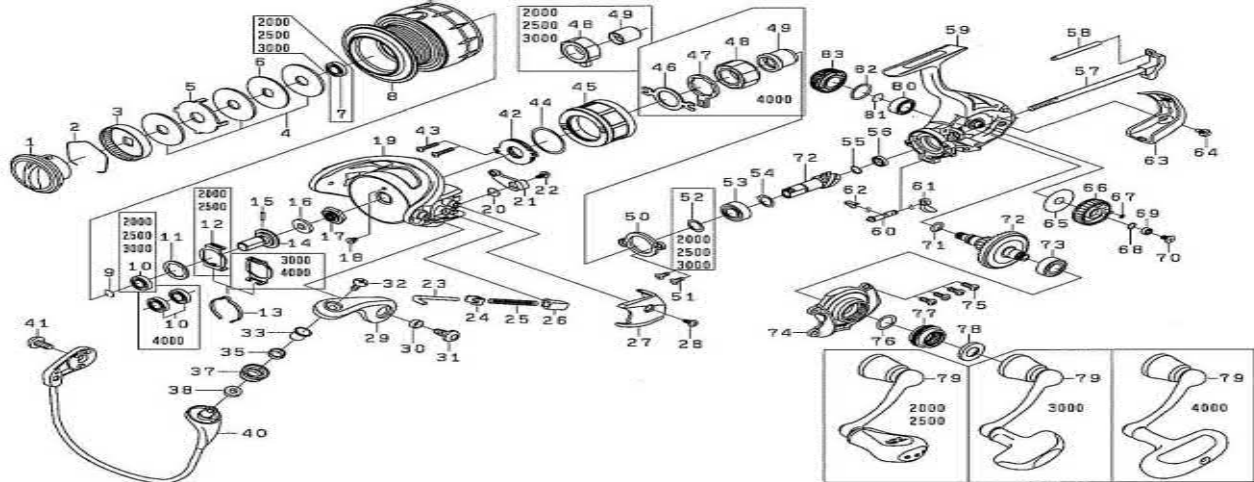




SPINNING REEL

BALLISTIC EX 2000H-4000H

Please order by parts number, not key number
 Veuillez indiquer le numéro de la pièce (Non "Key" No.)



Key No.	BLSEX2000H Part No.	Part Name	BLSEX2500H Part No.	BLSEX3000H Part No.	BLSEX4000H Part No.
1	J09-4101	DRAG KNOB	J09-5001	J09-5001	J09-6701
2	F74-2501	DRAG WASHER	F71-0001	F71-0001	F71-0001
3	F90-8701	DRAG KNOB CLICK PLATE	F89-5301	F89-5301	F89-5302
4	F63-5001	DRAG WASHER	F69-1001	F69-1001	F62-7101
5	F63-5201	EARED WASHER	F62-7301	F62-7301	F62-7301
6	F63-5101	KEY WASHER	F62-7201	F62-7201	H71-4001
7	E30-6801	BALL BEARING (A)	E30-6801	E30-6801	-
2-8	J09-3901	SPOOL ASSEMBLY	J09-4801	J09-5701	J09-6501
9	G47-2401	BEARING RETAINER (A)	G47-2401	G47-2401	G52-5101
10	E30-6801	BALL BEARING (B)	E30-6801	E30-6801	B86-1704
11	H80-6300	WASHER (A)	H80-6300	H80-6300	G90-3900
12	H41-8001	CLICK LEAF SPRING HOLDER	H41-8001	H41-8001	G69-4001
13	H88-3701	SPOOL CLICK SPRING	H88-3701	H88-3701	F70-9002
14	H60-1301	SPOOL METAL	H60-1301	H61-5001	H64-1501
15	G37-5001	PIN	G37-5001	G37-5001	G22-4101
16	H96-1201	PACKING (A)	H96-1201	H98-6901	H99-5201
17	H96-1101	ROTOR NUT	H96-1101	H96-1101	H99-5101
18	H02-2701	SCREW (A)	H02-2701	H02-2701	H02-2701
19	H97-4307	ROTOR	H96-0008	H98-6306	H99-4306
20	H44-3301	BAIL TRIP LEVER SPRING	H41-3601	H41-3601	H41-3601
21	H44-3401	BAIL TRIP LEVER	J03-8501	J07-2301	H99-4401
22	H41-7701	SCREW (B)	H41-7701	H41-7701	H41-7701
23	H44-3601	BAIL SPRING SHAFT	H41-4101	H57-2001	H64-0601
24	H57-6101	BAIL SPRING PLATE	H57-6101	H57-6101	H57-6101
25	H44-2401	BAIL SPRING	H08-9301	H08-9301	H82-0701
26	H41-4301	BAIL SPRING HOLDER	H41-4301	J08-9401	J08-9401
27	H97-4401	COVER (A)	H96-0201	H98-6401	H99-4601
28	H43-1301	SCREW (C)	H43-1301	H43-1301	H82-2601
29	H72-8909	BAIL ARM	H72-8909	H72-8909	H72-8909
30	H96-2401	COLLAR (A)	H96-2401	H96-2401	H96-2401
31	H43-1201	SCREW (D)	H43-1201	H43-1201	H43-1201
32	G19-5602	SCREW (E)	G19-5602	G19-5602	G19-5602
33	G19-5501	COLLAR (B)	G19-5501	G19-5501	G19-5501
35	G22-0701	COLLAR (C)	G22-0701	G22-0701	G22-0701
37	J08-9901	LINE ROLLER	J08-9901	J08-9901	J08-9901
38	G87-4201	COLLAR (D)	G87-4201	G87-4201	G87-4201
40	J09-3501	BAIL ASSEMBLY	J09-6801	J09-4301	J09-4401
41	H43-1201	SCREW (F)	H43-1201	H43-1201	H82-2501
42	H53-2602	MAGNET ASSEMBLY	H53-2602	H53-2602	H73-0701
43	H59-6501	SCREW (G)	H59-6501	H59-6501	H59-6501
44	H41-3001	"O"RING (A)	H41-3001	H41-3001	H63-9901
45	H60-9312	COVER (B)	H60-9312	H60-9312	H64-2511
46	-	-	-	-	H66-5001
47	-	-	-	-	F64-1401
48	H41-2601	ROLLER CLUTCH	H41-2601	H41-2601	G31-4501
49	H61-5501	SPACING SLEEVE	H61-5501	H61-5501	H78-2301
50	H44-2201	BEARING RETAINER (B)	H44-2201	H41-1501	H50-9101
51	G99-7301	SCREW (H)	G99-7301	G99-7301	H62-4901
52	375-8501	WASHER (B)	375-8501	3758501	-
53	G46-7305	BALL BEARING (C)	G46-7305	G53-5105	G52-2801
54	375-8500	WASHER (C)	375-8500	375-8500	371-2800
55	H93-1701	SPRING WASHER	H93-1701	H93-1701	G57-2501
56	H95-9601	BALL BEARING (D)	H95-9601	G46-6202	G46-7102
57	H62-9201	MAIN SHAFT	H59-6001	H61-4001	J01-1501
58	H59-6301	STABILIZER BAR	H59-6301	H61-4301	H63-9301
59	J09-3301	BODY	J09-4201	J09-5101	J09-5101
60	H59-5501	ANTI-REVERSE CAM	H59-5501	H59-5501	H63-9001
61	H59-5401	ANTI-REVERSE LEVER	H59-5401	H59-5401	H59-5401
62	H69-7801	ANTI-REVERSE CAM SPRING	H69-7801	H69-7801	H69-7801
63	H59-8102	REAR COVER	H59-8102	H61-5402	H64-0102
64	H59-8201	SCREW (I)	H59-8201	H59-8201	H59-8201
65	H59-5701	WASHER (D)	H59-5701	H59-5701	G64-4201
66	H62-9101	OSCILLATING GEAR	H59-5801	H61-3501	G64-4302
67	H77-0601	"O"RING (B)	H77-0601	G46-9301	B86-1704
68	H12-9200	WASHER (E)	H12-9200	H12-9200	G52-2100
69	G46-9005	BALL BEARING (E)	G46-9005	G46-9005	G46-7105
70	G99-7001	SCREW (J)	G99-7001	G99-7001	H46-3401
71	G67-0501	"O"RING (C)	G67-0501	G67-0501	G64-5301
72	Z02-1384	PINION GEAR + DRIVE GEAR	Z02-1384	Z02-1472	Z02-1503
73	G46-7302	BALL BEARING (F)	G46-7302	G46-7302	G52-2703
74	-	SIDE COVER	J09-3601	J09-5401	J09-5401
75	H59-7701	SCREW (K)	H59-7701	H59-7701	H59-7701
76	G61-3400	WASHER (F)	G61-3400	G61-3400	G64-5600
77	H95-9901	SCREW (L)	H95-9901	H95-9901	H99-4201
78	J13-0201	PACKING (B)	J13-0201	J13-0201	H73-0801
79	J09-3701	HANDLE ASSEMBLY	J09-4601	J09-5201	J09-6301
80	G52-2703	BALL BEARING (G)	G52-2703	G52-2703	B86-1704
81	G47-2401	BEARING RETAINER (C)	G47-2401	G47-2401	G52-5101
82	G16-2401	"O"RING (D)	G16-2401	G16-2401	G67-2401
83	H96-1501	HANDLE SCREW CAP	H96-1501	H96-1501	H99-5501