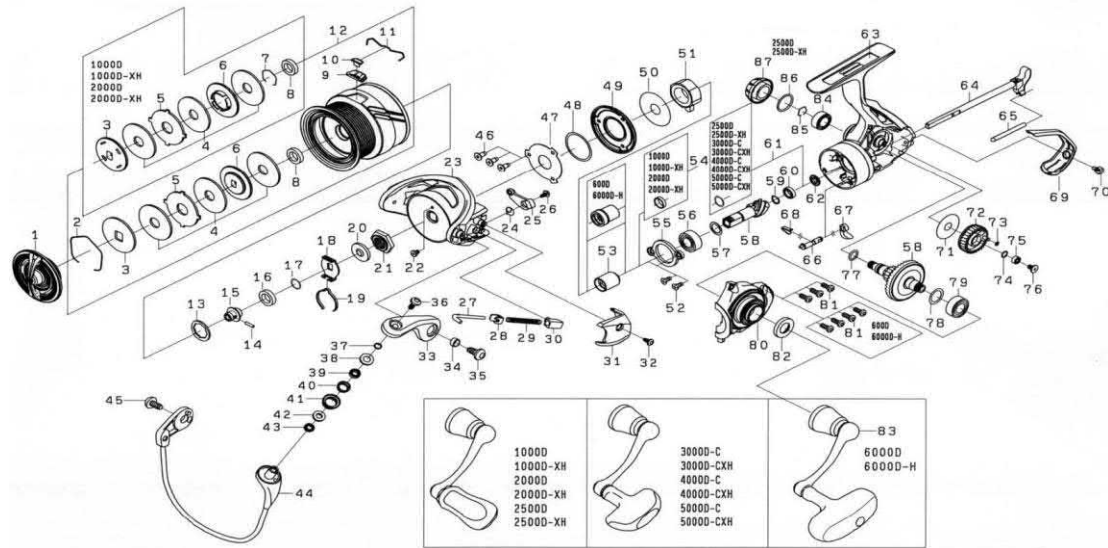




SPINNING REEL

BLSLT1000D/2500D/2500D-XH/3000D-C-6000D-C

Please order by parts number, not key number
Veuillez indiquer le numéro de la pièce (Non "Key" No.)



Key No.	Part No.	Part Name	BLSLT1000D Part No.	BLSLT2500D Part No.	BLSLT2500D-XH Part No.	BLSLT3000D-C Part No.	BLSLT4000D-C Part No.	BLSLT5000D-C Part No.	BLSLT6000D-C Part No.
1	J56-0501	DRAG KNOB	J54-7201	J54-7201	J54-7201	J54-7201	J56-8701	J56-8701	J57-9901
2	J54-7101	DRAG RETAINER	J54-7101	J54-7101	J54-7101	J54-7101	J54-7101	J54-7101	170-4101
3	J56-3801	DRAG DISC WASHER	J54-7001	J54-7001	J54-7001	J54-7001	J54-7001	J54-7001	J57-7501
4	J67-8801	ATD DRAG WASHER (3PCS)	J67-8801	J67-8801	J67-8801	J67-8801	J67-8801	J67-8801	J67-8801
5	J54-6901	DRAG KEY WASHER	J54-6902	J54-6902	J54-6902	J54-6902	J54-6902	J54-6902	J57-7301
6	J56-3701	DRAG DISC WASHER A	J54-9001	J54-9001	J54-9001	J54-9001	J54-9002	J54-9002	J57-7401
7	B35-8701	DRAG COLLAR RING	-	-	-	-	-	-	-
8	J54-6701	DRAG COLLAR	J54-6701	J54-6701	J54-6701	J54-6701	J54-6701	J54-6701	H62-4801
9	J56-3601	LINE STOPPER PLATE	J55-8101	J55-8101	J55-8101	J55-8101	J56-8601	J56-8601	J56-8601
10	J55-8001	LINE STOPPER	J55-8001	J55-8001	J55-8001	J55-8001	J55-8001	J55-8001	J55-8001
11	J31-4801	LINE STOPPER SPRING	J31-4801	J31-4801	J31-4801	J31-4801	J31-4801	J31-4801	J31-4801
2-12	J66-8201	SPOOL ASSEMBLY	J66-9401	J66-9501	J67-0101	J67-0801	J67-0801	J67-0801	J67-1701
13	J54-6300	SPOOL WASHER	J54-6300	J54-6300	J54-6300	J54-6300	J54-6300	J54-6300	J57-6700
14	J55-8201	SPOOL METAL SCREW	J55-8201	J55-8201	J55-8201	J55-8201	J55-8201	J55-8201	J55-8202
15	J56-4101	SPOOL METAL	J54-9501	J54-9501	J54-9501	J54-9501	J54-9501	J54-9501	J57-6601
16	H62-4801	SPOOL METAL COLLAR	H62-4801	H62-4801	H62-4801	H62-4801	H62-4801	H62-4801	J58-7401
17	J60-2201	CLICK LEAF SPRING HOLDER WASHER	J60-2201	J60-2201	J60-2201	J60-2201	J60-2201	J60-2201	J60-2101
18	J54-6201	CLICK LEAF SPRING HOLDER	J54-6201	J54-6201	J54-6201	J54-6201	J54-6201	J54-6201	J57-6501
19	J52-5101	CLICK LEAF SPRING	J52-5101	J52-5101	J52-5101	J52-5101	J52-5101	J52-5101	J52-5101
20	H98-6901	ROTOR NUT PACKING	H98-6901	H98-6901	H98-6901	H98-6901	H98-6901	H98-6901	H99-5201
21	H96-1101	ROTOR NUT	H96-1101	H96-1101	H96-1101	H96-1101	H96-1101	H96-1101	H99-5101
22	H02-2701	ROTOR NUT SCREW	H02-2701	H02-2701	H02-2701	H02-2701	H02-2701	H02-2701	H02-2701
23	H97-4134	ROTOR	J54-5301	J54-5301	H96-0045	H96-0045	H98-6315	H98-6315	H99-4331
24	H44-3301	BAIL KICK LEVER SPRING	H41-3601	H41-3601	H41-3601	H41-3601	H41-3601	H41-3601	H41-3601
25	H44-3401	BAIL KICK LEVER	J54-5401	J54-5401	J03-8501	J56-7601	J07-2301	H99-4401	H99-4401
26	H41-7701	KICK LEVER SCREW	H41-7701	H41-7701	H41-7701	H41-7701	H41-7701	H41-7701	H41-7701
27	H44-3601	BAIL ARM LEVER SHAFT	J54-5601	J54-5601	H41-4101	H57-2001	H57-2001	H64-0601	H64-0601
28	H57-6101	BAIL ARM LEVER SHAFT PLATE	H57-6101	H57-6101	H57-6101	H57-6101	H57-6101	H57-6101	H57-6101
29	H44-2401	BAIL ARM LEVER SHAFT SPRING	J64-2801	J64-2801	H54-5701	H41-4201	H08-9301	H64-0701	H64-0701
30	H41-4301	BAIL ARM LEVER SHAFT HOLDER	H41-4301	H41-4301	H41-4301	J08-9401	J08-9401	J08-9401	J08-9401
31	H97-4401	BAIL SPRING COVER	J54-5701	J54-5701	H96-0201	J56-7801	H98-6401	H99-4601	H99-4601
32	H43-1301	BAIL SPRING COVER SCREW	H43-1301	H43-1301	H43-1301	H43-1301	H43-1301	H43-1301	H43-1301
33	H96-0701	BAIL ARM LEVER	H96-0107	H96-0107	H96-0107	H96-0107	H96-0107	H96-0107	H96-0107
34	H96-2401	BAIL ARM LEVER COLLAR	H96-2401	H96-2401	H96-2401	H96-2401	H96-2401	H96-2401	H96-2401
35	H43-1201	BAIL ARM LEVER SCREW	H43-1201	H43-1201	H43-1201	H43-1201	H43-1201	H43-1201	H43-1201
36	H69-7701	LINE ROLLER SCREW	H69-7701	H69-7701	H69-7701	H69-7701	H69-7701	H69-7701	H69-7701
37	H96-1001	LINE ROLLER COLLAR (A)	H96-1001	H96-1001	H96-1001	H96-1001	H96-1001	H96-1001	H96-1001
38	H03-8301	LINE ROLLER BEARING PACKING	H03-8301	H03-8301	H03-8301	H03-8301	H03-8301	H03-8301	H03-8301
39	G68-6903	LINE ROLLER BALL BEARING	G68-6903	G68-6903	G68-6903	G68-6903	G68-6903	G68-6903	G68-6903
40	H96-0901	LINE ROLLER BEARING COLLAR	H96-0901	H96-0901	H96-0901	H96-0901	H96-0901	H96-0901	H96-0901
41	G68-6703	LINE ROLLER BALL BEARING	G68-6703	G68-6703	G68-6703	G68-6703	G68-6703	G68-6703	G68-6703
42	H96-0801	LINE ROLLER COLLAR (B)	H96-0801	H96-0801	H96-0801	H96-0801	H96-0801	H96-0801	H96-0801
43	H96-0701	LINE ROLLER COLLAR (C*)	H96-0701	H96-0701	H96-0701	H96-0701	H96-0701	H96-0701	H96-0701
44	J56-0101	BAIL ASSEMBLY	J54-5801	J54-5801	J55-9101	J56-7901	J56-7901	J56-7901	J57-6401
45	H43-1201	BAIL HOLDER SCREW	H43-1201	H43-1201	H43-1201	H43-1201	H43-1201	H43-1201	H43-1201
46	J42-9301	MASGEALED PLT SCREW	J42-9301	J42-9301	J42-9301	J42-9301	J42-9301	J42-9301	J42-9301
47	J67-5201	MASGEALED PLATE	J67-5201	J67-5201	J67-5201	J67-5201	J67-5201	J67-5201	J42-8901
48	J35-4801	MASGEALED PLATE O-RING	J35-4801	J35-4801	J35-4801	J35-4801	J35-4801	J35-4801	H96-0703
49	J44-5901	MASGEALED CAP	J44-5901	J44-5901	J38-5001	J40-6701	J40-6701	J42-8801	J42-8801
50	J63-9900	ROLLER CLUTCH WASHER	J63-9900	J63-9900	J63-9900	J63-9900	J63-9900	J63-9900	J43-1601
51	J38-8401	ROLLER CLUTCH	J38-8401	J38-8401	J38-8401	J38-8401	J38-8401	J38-8401	J30-9101
52	G99-7301	PINION BALL BEARING PLT SCREW	G99-7301	G99-7301	G99-7301	G99-7301	G99-7301	G99-7301	G99-7301
53	J53-6101	ROLLER CLUTCH SLEEVE COLLAR	J00-1402	J00-1402	J00-1402	J00-1402	J00-1402	J00-1402	J39-7301
54	J53-6201	ROLLER CLUTCH SLEEVE COLLAR	-	-	-	-	-	-	-
55	H44-2202	PINION GEAR BALL BEARING PLT	H44-2201	H44-2201	H44-2201	H41-1501	H41-1501	J02-0801	J02-0801
56	G46-7302	BALL BEARING (A)	G46-7302	G46-7302	G46-7302	G53-5104	G53-5104	G52-2802	G52-2802
57	375-8502	PINION GEAR BALL BEARING WASHER (A)	375-8502	375-8502	375-8502	375-8502	375-8502	371-2824	371-2824
58	Z02-3684	PINION + DRIVE GEAR UNIT	Z02-4560	Z02-4560	Z02-4560	Z02-3701	Z02-3701	Z02-3746	Z02-3746
59	J68-3001	PINION GEAR BB SPRING WASHER	J68-3001	J68-3001	J68-3001	J68-3001	J68-3001	G57-2501	G57-2501
60	H95-9601	PINION GEAR BALL BEARING (B)	H95-9601	H95-9601	H95-9601	G46-6202	G46-6202	G46-7102	G46-7102
61	-	-	G46-6103	G46-6103	G46-6103	G46-6103	G46-6103	G46-6103	G46-6103
62	J38-7701	PINION GEAR COLLAR	J38-7701	J38-7701	J38-7701	J38-7701	J38-7701	J42-8101	J42-8101
63	J55-9501	BODY	J54-9101	J54-9101	J61-8701	J56-6501	J56-6501	J57-5701	J57-5701
64	J55-9701	MAIN SHAFT	J54-4803	J54-4803	J55-8901	J56-6902	J56-6902	J57-6101	J57-6101
65	J52-6101	OSC POST	J08-4805	J08-4805	J08-4805	J08-4804	J08-4804	J08-4806	J08-4806
66	H59-5501	A/R CAM	H59-5501	H59-5501	H59-5501	H59-5501	H59-5501	J02-0501	J02-0501
67	H59-5401	A/R CAM LEVER	H59-5401	H59-5401	H59-5401	H59-5401	H59-5401	H59-5401	H59-5401
68	H69-7801	A/R CAM SPRING	H69-7801	H69-7801	H69-7801	H69-7801	H69-7801	H69-7801	H69-7801
69	J52-4901	REAR COVER	J38-8901	J38-8901	J38-8901	J40-6801	J40-6801	J42-9401	J42-9401
70	J38-9001	REAR COVER SCREW	J38-9001	J38-9001	J38-9001	J38-9001	J38-9001	J38-9001	J38-9001
71	H60-7902	OSC GEAR WASHER	J64-4701	J64-4701	J64-4701	J64-4701	J64-4701	J49-6901	J49-6901
72	G15-3580	OSC GEAR	J54-4601	J54-4601	J55-8801	J56-6701	J56-6701	J57-5901	J57-5901
73	G46-3301	OSC GEAR O'RING	H17-6001	H17-6001	H17-6001	G46-6001	G46-6001	G52-3101	G52-3101
74	H12-9201	OSC GEAR BB WASHER	H12-9201	H12-9201	H12-9201	H12-9201	H12-9201	G52-2103	G52-2103
75	G46-9005	OSC GEAR BALL BEARING	G46-9005	G46-9005	G46-9005	G46-9005	G46-9005	G46-7105	G46-7105
76	G99-7001	OSC GEAR BB SCREW	G99-7001	G99-7001	G99-7001	G99-7001	G99-7001	H46-3401	H46-3401
77	G67-0501	DRIVE GEAR O'RING	G67-0501	G67-0501	G67-0501	G67-0501	G67-0501	G64-5301	G64-5301
78	375-8502	DRIVE GEAR WASHER	375-8502	375-8500	375-8502	375-8502	375-8502	375-7808	375-7808
79	G46-7302	DRIVE GEAR BALL BEARING (A)	G46-7302	G46-7302	G46-7302	G46-7302	G46-7302	G52-3405	G52-3405
80	J56-0001	BODY COVER	J54-9301	J54-9301	J54-9301	J56-7401	J56-7401	J57-3001	J57-3001
81	J38-9801	BODY COVER SCREW	J38-9801	J38-9801	J38-9801	J38-9801	J38-9801	J38-9801	J38-9801
82	J13-0201	HANDLE CAP PACKING	J13-0201	J13-0201	J13-0201	J13-0201	J13-0201	H73-0801	H73-0801
83	J53-6301	HANDLE ASSEMBLY	J43-3901	J38-9201	J55-8301	J40-6901	J40-6901	J57-6801	J57-6801
84	G52-2706	DRIVE GEAR BALL BEARING (B)	G52-2706	G52-2706	G52-2706	G52-2706	G52-2706	H86-1704	H86-1704
85	G47-2401	DRIVE GEAR BEARING RING	G47-2401	G47-2401	G47-2401	G47-2401	G47-2401	G52-5101	G52-5101
86	G16-2401	HANDLE CAP O'RING	G16-2401	G16-2401	G16-2401	G16-2401	G16-2401	G67-2401	G67-2401
87	J38-9701	HANDLE CAP	J38-9701	J38-9701	J38-9701	J38-9701	J38-9701	J42-9901	J42-9901