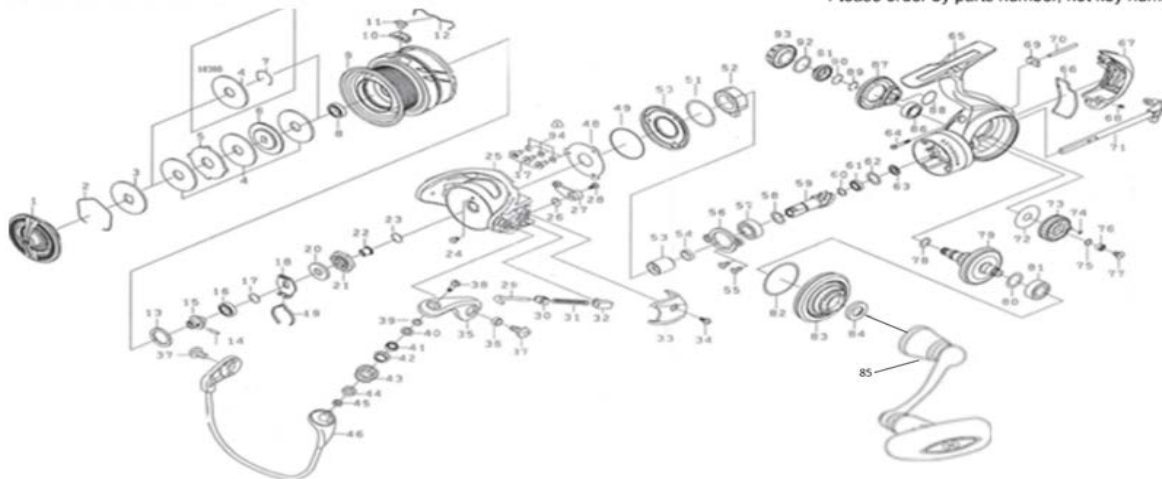


DYMA

SPINNING REEL

BLSMQLT3000D_4000D-C

*Please order by parts number, not key number.



Key No	Part No	Description
1	Q61-0401	DRAG KNOB
2	Q34-6101	DRAG WASHER RETAINER
3	Q62-1901	DRAG DISC WASHER
4	J67-8801	ATD DRAG WASHER (1 PACK 3 PCS)
5	J54-6902	DRAG LIP WASHER
6	J54-9001	DRAG DISC WASHER
7	-----	-----
8	G21-2503	SPOOL BALL BEARING (A)
9	Q74-6001	SPOOL ASSY
10	Q34-5601	LINE STOPPER PLATE
11	Q34-5501	LINE STOPPER
12	Q34-5701	LINE STOPPER SPRING
13	J54-6304	SPOOL WASHER(A)
14	J55-8201	SPOOL METAL SCREW
15	J54-9501	SPOOL METAL
16	E30-6801	SPOOL BALL BEARING (B)
17	J60-2201	SPOOL WASHER(B)
18	M02-1401	CLICK HOLDER
19	H41-6101	CLICK LEAF SPRING
20	H98-6901	ROTOR NUT PACKING
21	Q73-5801	ROTOR NUT
22	J80-8500	ROTOR NUT COLLAR
23	372-7602	ROTOR NUT WASHER
24	H02-2701	ROTOR NUT SCREW
25	Q12-0532	ROTOR
26	H41-3601	KICK LEVER SPRING
27	Q12-0701	KICK LEVER
28	H41-7701	KICK LEVER SCREW
29	Q12-1201	ARM LEVER SHAFT
30	H57-6101	ARM LEVER SPRING COLLAR
31	H54-5701	ARM LEVER SPRING
32	Q12-1501	ARM LEVER SPRING HOLDER
33	Q12-1801	ARM LEVER COVER
34	Q34-2901	ARM LEVER COVER SCREW
35	Q60-9701	ARM LEVER
36	Q12-1701	ARM LEVER COLLAR
37	Q34-3401	ARM LEVER SCREW
38	H69-7701	ROLLER SCREW
39	Q62-0901	ROLLER COLLAR(A)
40	H03-8301	ROLLER BALL BEARING PACKING
41	G68-6903	ROLLER BALL BEARING
42	H96-0901	ROLLER COLLAR(B)
43	G68-6702	LINE ROLLER
44	H96-0801	ROLLER COLLAR(C)
45	Q61-0001	ROLLER COLLAR(D)
46	Q66-7301	BAIL
47	G83-7101	MAGSEALED PLATE SCREW
48	J67-5201	MAGSEALED PLATE
49	J35-4801	MADSEALED CAP O RING
50	Q60-9601	MAGSEALED CAP
51	J63-9901	ONEWAY CLUTCH WASHER
52	J38-8402	ONEWAY CLUTCH
53	J53-6102	CLUTCH RING

Key No	Part No	Description
54	Q60-9001	CLUTCH RING COLLAR
55	Q19-5701	BEARING PLATE SCREW
56	Q62-1201	BEARING PLATE
57	G46-7302	PINION BALL BEARING(A)
58	375-8502	PINION BEARING(A) WASHER01mm
59	Z70-0685	PINION DRIVE GEAR SET
60	H93-1701	PINION SPRING WASHER
61	G46-6202	PINON BALL BEARING(B)
62	G46-6103	PINON BEARING(B) WASHER01MM
63	J38-7701	PINION BEARING(B) COLLAR
64	Q62-1301	REAR CAP SCREW(A)
65	Q66-5701	BODY
66	Q66-7101	REAR CAP PACKING
67	Q66-7201	REAR CAP
68	Q62-1101	REAR CAP SCREW(B)
69	Q60-9201	OSCILLATING POST COLLAR
70	Q12-6305	OSCILLATING POST
71	Q66-6201	MAIN SHAFT
72	J64-4701	OSCILLATING GEAR WASHER
73	Q66-6101	OSCILLATING GEAR
74	G46-6001	OSCILLATING GEAR O RING
75	H12-9201	OSCILLATING BEARING WASHER01mm
76	G46-9005	OSCILLATING GEAR BALL BEARING
77	Q12-6101	OSCILLATING GEAR SCREW
78	G67-0501	DRIVE O RING
82	J57-1501	BODY COVER O RING
83	Q66-6904	BODY COVER (L)
84	J13-0201	HANDLE PACKING
85	Q75-0601	HANDLE ASSY
86	G52-2706	DRIVE BALL BEARING(B)
87	Q66-5901	SET PLATE
88	Q66-6001	SET PLATE O RING
89	G47-2401	DRIVE BEARING RETAINER
90	H61-7001	DRIVE BEARING O RING
91	Q60-8903	DRIVE BEARING GEAR (R)
92	G16-2401	HANDLE CAP O RING
93	Q34-5101	HANDLE CAP
94	375-4102	MAGSEALED PLATE SCREW WASHER

BLSMQLT4000D-C Special Parts

Key No	Part No	Description
1	Q70-4601	DRAG KNOB
9	Q74-6301	SPOOL ASSY
10	Q35-3501	LINE STOPPER PLATE
25	Q35-1819	ROTOR
27	Q35-1901	KICK LEVER
29	Q12-9501	ARM LEVER SHAFT
31	H41-4201	ARM LEVER SPRING
33	Q35-2101	ARM LEVER COVER
46	Q70-4101	BAIL
71	Q70-3801	MAIN SHAFT
73	Q70-3701	OSCILLATING GEAR
85	Q70-4701	HANDLE ASSY