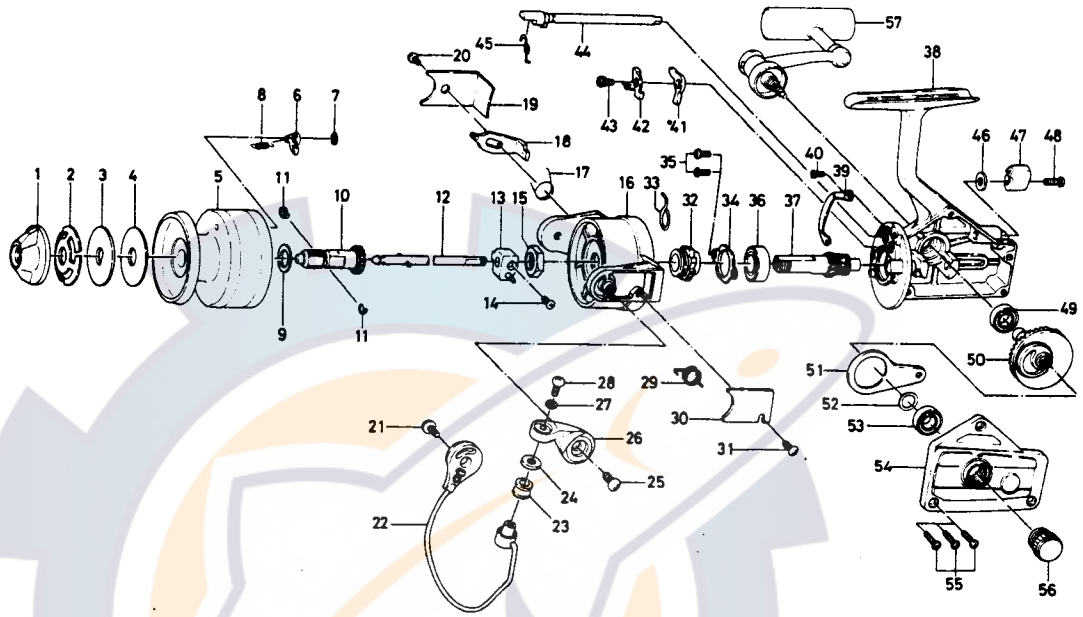


SPINNING REEL

BLACK GOLD BG-10



Key No.	Parts No.	Parts Name	Key No.	Parts No.	Parts Name
1	6-441-5301	Drag knob	30	6-B31-8501	Bail spring cover
2	6-151-7301	Drag spring washer	31	6-352-0401	Bail spring cover screw
3	6-375-6001	Drag D washer	32	6-280-8901	Ratchet
4	6-375-5902	Disc washer	33	6-145-0501	Anti-reverse claw spring
5	6-B32-1101	Spool	34	6-321-0801	Ball bearing ret. washer
6	6-B07-5302	Spool click claw	35	6-351-0901	Ball bearing ret. washer screw
7	6-320-5901	Spool click claw retainer	36	6-636-6401	Ball bearing
8	6-144-1211	Spool click claw spring	37	6-403-0701	Pinion gear
9	6-375-5701	Spool washer	38	6-B33-5501	Body
10	6-720-1331	Spool metal	39	6-B32-0701	Cam kick plate
11	6-151-7211	Spool metal leaf spring	40	6-363-2911	Cam kick plate screw
12	6-B33-5301	Main shaft	41	6-111-8301	Anti-reverse claw
13	6-636-7602	Oscillating support	42	6-041-6801	Anti-reverse claw plate
14	6-B12-8201	Oscillating slider screw	43	6-363-8801	Anti-reverse claw screw
15	6-341-9201	Rotor nut	44	6-461-7302	Anti-reverse cam
16	6-B31-8101	Rotor	45	6-145-2701	Anti-reverse cam spring
17	6-B18-8001	Bail kick cam spring	46	6-371-6903	Anti-reverse lever washer
18	6-B32-0901	Bail kick lever	47	6-541-6801	Anti-reverse lever
19	6-B31-8401	Bail kick lever cover	48	6-353-4401	Anti-reverse lever screw
20	6-352-0401	Bail kick lever cover screw	49	6-637-5701	Ball bearing
21	6-353-8201	Bail holder screw	50	6-413-8911	Drive gear
22	6-B18-8302	Bail	51	6-481-1801	Oscillating slider
23	6-250-3921	Line roller	52	6-375-8500	Drive gear washer
24	6-501-1401	Roller collar	53	6-637-5701	Ball bearing
25	6-353-8201	Arm lever screw	54	6-B33-5401	Body cover
26	6-B18-7801	Arm lever	55	6-353-0001	Body cover screw
27	6-375-1001	Bail washer	56	6-B03-4802	Handle screw cap
28	6-353-8201	Bail screw	57	6-B33-5901	Handle
29	6-B18-7701	Bail spring			