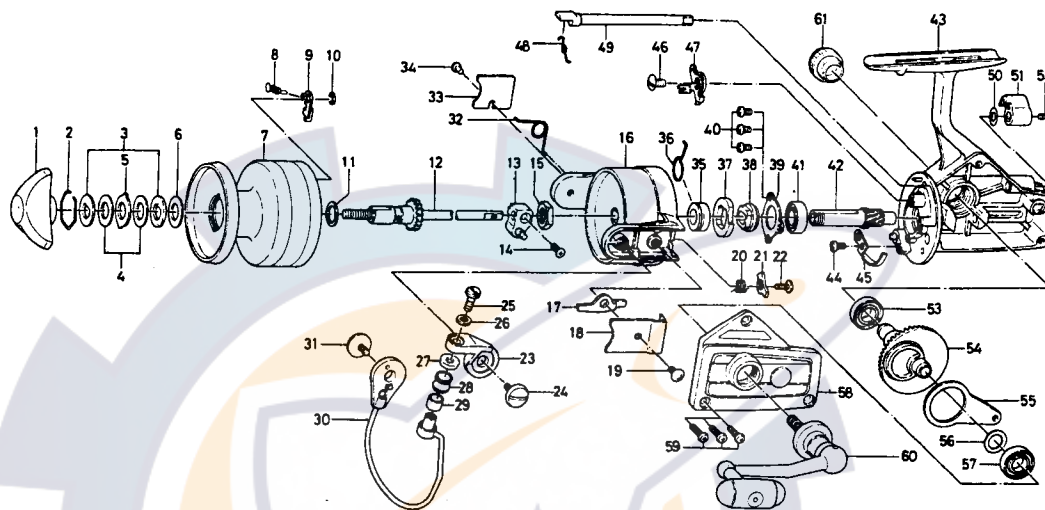


SPINNING REEL

BLACK GOLD BG-30



| Key No. | Parts No. | Parts Name | Key No. | Parts No. | Parts Name |
|---------|------------|-----------------------------|---------|------------|--------------------------------|
| 1 | 6-740-4501 | Drag knob | 32 | 6-145-2001 | Bail spring |
| 2 | 6-171-7701 | Drag washer retainer | 33 | 6-041-8802 | Bail spring cover |
| 3 | 6-376-4001 | Drag D washer | 34 | 6-351-6101 | Bail spring cover screw |
| 4 | 6-375-7802 | Disc washer | 35 | 6-502-1301 | Spring holder |
| 5 | 6-375-8002 | Drag A washer | 36 | 6-145-2901 | Anti-reverse claw spring |
| 6 | 6-375-7803 | Drag washer A | 37 | 6-280-9501 | Ratchet |
| 7 | 6-734-7803 | Spool | 38 | 6-636-6711 | Click gear |
| 8 | 6-145-2101 | Spool click claw spring | 39 | 6-636-9901 | Ball bearing ret. washer |
| 9 | 6-B07-8201 | Spool click claw | 40 | 6-351-6601 | Ball bearing ret. washer screw |
| 10 | 6-320-1402 | Spool click claw retainer | 41 | 6-635-4801 | Ball bearing |
| 11 | 6-376-3901 | Spool washer | 42 | 6-403-2801 | Pinion gear |
| 12 | 6-711-5702 | Main shaft | 43 | 6-B31-8802 | Body |
| 13 | 6-637-3001 | Oscillating support | 44 | 6-351-6601 | Cam kick plate screw |
| 14 | 6-351-8901 | Oscillating slider screw | 45 | 6-B22-9901 | Cam kick plate |
| 15 | 6-B10-5701 | Rotor nut | 46 | 6-352-1102 | Anti-reverse claw screw |
| 16 | 6-202-1802 | Rotor | 47 | 6-B33-5601 | Anti-reverse claw |
| 17 | 6-571-1001 | Bail kick lever | 48 | 6-144-0321 | Anti-reverse cam spring |
| 18 | 6-B14-1802 | Bail kick lever cover | 49 | 6-B15-6403 | Anti-reverse cam |
| 19 | 6-351-7701 | Bail kick lever cover screw | 50 | 6-373-2700 | Anti-reverse lever washer |
| 20 | 6-145-0701 | Bail kick cam spring | 51 | 6-541-7301 | Anti-reverse lever |
| 21 | 6-571-1301 | Bail kick cam | 52 | 6-352-2501 | Anti-reverse lever screw |
| 22 | 6-351-4701 | Bail kick cam screw | 53 | 6-636-6011 | Ball bearing |
| 23 | 6-231-3501 | Arm lever | 54 | 6-414-2302 | Drive gear |
| 24 | 6-363-5201 | Arm lever screw | 55 | 6-481-2401 | Oscillating slider |
| 25 | 6-363-3111 | Bail screw | 56 | 6-371-2800 | Drive gear washer |
| 26 | 6-375-1101 | Bail washer | 57 | 6-636-6011 | Ball bearing |
| 27 | 6-501-2001 | Roller collar | 58 | 6-B31-9902 | Body cover |
| 28 | 6-250-4501 | Line roller | 59 | 6-351-5901 | Body cover screw |
| 29 | 6-502-1401 | Roller metal | 60 | 6-B36-8501 | Handle |
| 30 | 6-725-8802 | Bail | 61 | 6-363-4701 | Handle screw cap |
| 31 | 6-363-5201 | Bail holder screw | | | |

Sold as one unit
Spool assembly
6-734-7702