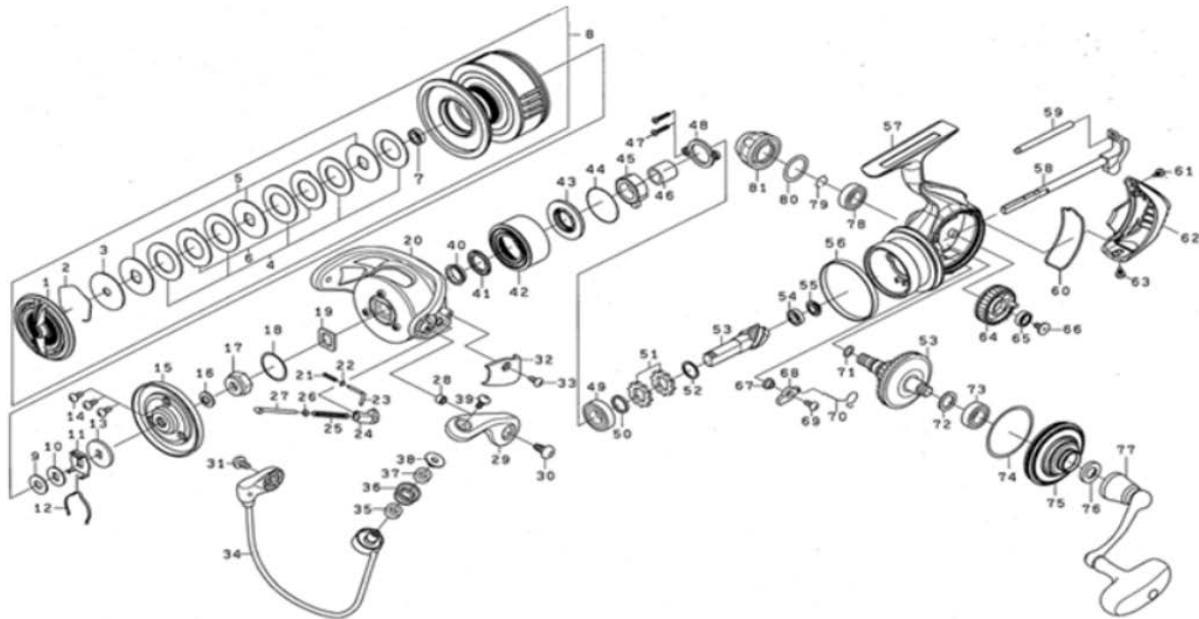


# DAIWA

## SPINNING REEL

# BGMQ18000

\*Please order by parts number, not key number.



Key No	Part No	Description	Key No	Part No	Description
1	M02-9201	DRAG KNOB	42	M02-0601	SEALED CAP
2	F88-4001	DRAG RING	43	J96-1401	SEALED CAP PLATE
3	H38-0901	DRAG RATCHET	44	J96-1501	SEALED CAP O RING
4	J31-3601	DRAG WASHER	45	J30-9101	ONE WAY CLUTCH
5	H17-5101	DRAG DISK WASHER	46	J30-9002	CLUTCH RING
6	G70-0701	DRAG LIP WASHER	47	J00-1601	BEARING PLATE SCREW
7	B35-8607	SPOOL BALL BEARING	48	J30-8401	BEARING PLATE
8	M12-0901	SPOOL ASSY	49	G42-6301	PINION BALL BEARING ( A )
9	F05-0104	SPOOL WASHER(A)	50	H24-3901	PINION BEARING COLLAR
10	F05-0002	SPOOL WASHER(B)	51	E26-2701	RATCHET
11	H32-3701	CLICK HOLDER	52	E33-9701	PINION BEARING ( B ) WASHER
12	G34-1401	CLICK LEAF SPRING	53	Z02-2625	PINION DRIVE GEAR UNIT
13	F04-9901	SPOOL WASHER( C )	54	B86-1704	PINON BALL BEARING ( B )
14	G27-0801	ROTOR COVER SCREW	55	J30-8101	PINION BEARING ( B ) COLLAR
15	M02-1101	ROTOR COVER	56	J62-8302	SEALED CAP RING
16	H10-7201	ROTOR NUT PACKING	57	M12-0801	BODY ASSY
17	M02-1001	ROTOR NUT	58	M02-0101	MAIN SHAFT ASSY
18	F27-4501	ROTOR NUT O RING	59	J30-8001	OSHRATING POST
19	J31-6501	ROTOR NUT PLATE	60	M02-0401	REAR CAP PACKING
20	J30-9402	ROTOR	61	M05-6601	REAR CAP SCREW(A)
21	H78-2801	ROTOR BRAKES SPRING	62	M02-0501	REAR CAP
22	E27-2501	ROTOR BRAKES SPRING WASHER	63	M05-6602	REAR CAP SCREW(B)
23	H68-4601	ROTOR BRAKES SHAFT	64	J30-7601	OSCILATE GEAR
24	H68-4701	ARM LEVER SPRING COLLAR	65	B86-1704	OSCILATE BALL BEARING
25	G41-8101	ARM LEVER SPRING	66	H34-7101	OSCILATE GEAR SCREW
26	J30-9601	ARM LEVER SHAFT WASHER	67	H24-3301	STOPPER CAM
27	J30-9501	ARM LEVER SHAFT	68	M03-0401	STOPPER
28	H94-5501	ARM LEVER SCREW COLLAR	69	351-6401	STOPPER SCREW
29	J30-9703	ARM LEVER	70	J30-8601	STOPPER SPRING
30	G45-5601	ARM LEVER SCREW	71	J30-8501	DRIVE GEAR O RING
31	G45-5601	BAIL HOLDER SCREW	72	371-2824	DRIVE WASHER
32	J30-9802	ARM LEVER COVER	73	G52-2802	DRIVE BALL BEARING ( A )
33	G27-0801	ARM LEVER COVER SCREW	74	J92-0601	BODY COVER PACKING
34	J30-9901	BAIL ASSY	75	M02-0301	BODY COVER
35	J41-6001	ROLLER COLLAR(A)	76	J43-2001	HANDLE PACKING
36	H24-6103	LINE ROLLER	77	M06-4201	HANDLE ASSY
37	J41-6001	ROLLER COLLAR(B)	78	G52-2802	DRIVE BALL BEARING ( B )
38	J31-0401	ROLLER COLLAR(C)	79	H04-7201	DRIVE BEARING RING
39	F60-8901	ROLLER SCREW	80	J04-2501	HANDLE CAP O RING
40	M02-0701	SEALED CAP COLLAR	81	J39-4903	HANDLE CAP
41	G16-2301	SEALED CAP PACKING			