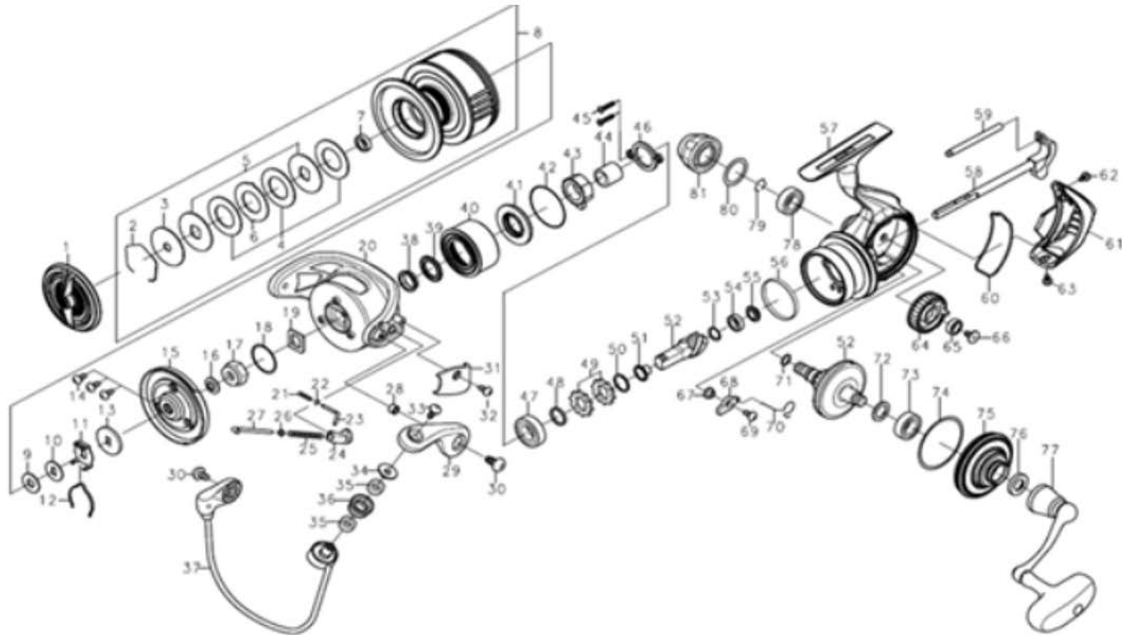


# DAIWA

## SPINNING REEL

# BGMQ8000-H/BGMQ10000-H

\*Please order by parts number, not key number.



Key No	Part No	Description
1	J99-3502	DRAG KNOB
2	F88-4001	DRAG RING
3	H38-0901	DRAG RATCHET
4	J56-1601	ATD DRAG WASHER ( 1 pack - 3 pcs )
5	H17-5101	DRAG DISK WASHER ( 1 pack - 3 pcs )
6	G70-0701	DRAG LIP WASHER
7	B35-8607	SPOOL BALL BEARING
8	M06-7601	SPOOL ASSY
9	F05-0104	SPOOL WASHER(A)
10	F05-0002	SPOOL WASHER(B)
11	H30-9501	CLICK HOLDER
12	B74-7701	CLICK LEAF SPRING
13	F04-9901	SPOOL WASHER( C )
14	G27-0801	ROTOR COVER SCREW
15	J99-2601	ROTOR COVER
16	J89-8101	ROTOR NUT PACKING
17	J99-6301	ROTOR NUT
18	H50-1001	ROTOR NUT O RING
19	G39-2202	ROTOR NUT PLATE
20	J32-1604	ROTOR
21	H50-3401	ROTOR BRAKES SPRING
22	G68-5401	ROTOR BRAKES SPRING WASHER
23	H50-3301	ROTOR BRAKES SHAFT
24	J32-2001	ARM LEVER SPRING COLLAR
25	J32-1901	ARM LEVER SPRING
26	J32-1801	ARM LEVER SHAFT WASHER
27	J32-1701	ARM LEVER SHAFT
28	H94-5501	ARM LEVER SCREW COLLAR
29	J30-9703	ARM LEVER
30	G45-5601	ARM LEVER SCREW
31	J32-2103	ARM LEVER COVER
33	F60-8901	ROLLER SCREW
34	J31-0401	ROLLER COLLAR(A)
35	J41-6001	ROLLER COLLAR(B)
36	H24-6103	LINE ROLLER
37	J32-3301	BAIL ASSY
38	J99-6101	SEALED CAP COLLAR
39	G16-2301	SEALED CAP PACKING
40	J99-3201	SEALED CAP
41	J96-1401	SEALED CAP PLATE
42	J96-1501	SEALED CAP O RING
43	J30-9101	ONE WAY CLUTCH

Key No	Part No	Description
44	J30-9002	CLUTCH RING
45	J00-1602	BEARING PLATE SCREW
46	J30-8401	BEARING PLATE
47	G42-6301	PINION BALL BEARING ( A )
48	G61-3404	PINION BEARING ( A ) WASHER01mm
49	E26-2701	RATCHET
51	M05-7102	PINION BEARING ( A ) COLLAR
52	Z02-5984	PINION + DRIVE GEAR UNIT
53	G57-8501	PINON BEARING SP WASHER
54	G52-2706	PINON BALL BEARING ( B )
55	J32-0901	PINION BEARING ( B ) COLLAR
56	H62-9701	SEALED CAP RING
57	M06-8901	BODY ASSY
58	J99-2701	MAIN SHAFT ASSY
59	J32-0801	OSHRATING POST
60	J99-3001	REAR CAP PACKING
61	J99-3101	REAR CAP
62	M05-6601	REAR CAP SCREW(A)
63	M05-6602	REAR CAP SCREW(B)
64	J32-0401	OSCILATE GEAR
65	G46-7105	OSCILATE BALL BEARING
66	H27-2202	OSCILATE GEAR SCREW
67	H24-3301	STOPPER CAM
68	M09-3801	STOPPER
69	351-6401	STOPPER SCREW
70	J30-8601	STOPPER SPRING
71	J32-1201	DRIVE GEAR O RING
72	371-2824	DRIVE WASHER
73	G52-2802	DRIVE BALL BEARING ( A )
74	J89-4101	BODY COVER PACKING
75	J99-2901	BODY COVER
76	J43-2001	HANDLE PACKING
77	M06-4001	HANDLE ASSY
79	H04-7201	DRIVE BEARING RING
80	J04-2501	HANDLE CAP O-RING
81	J39-4903	HANDLE CAP

### BGMQ10000-H Special Parts

Key No	Part No	Description
8	J99-3301	SPOOL ASSY
57	M06-9901	BODY ASSY