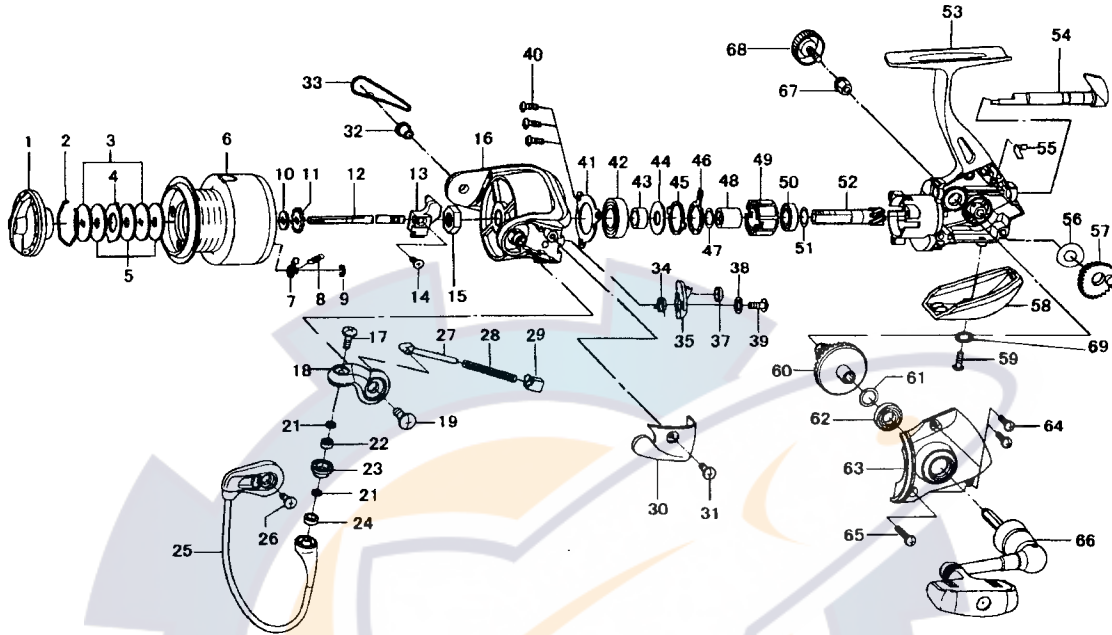


Daiwa
COMMITTED TO TOTAL QUALITY
SPINNING REEL

CAPRICORN 2500



Key No.	Parts No.	Parts Name	Key No.	Parts No.	Parts Name
1	G23-9001	DRAG KNOB	35	G26-5401	BAIL TRIP LEVER
2	F37-3301	DRAG WASHER RET	37	G19-4301	BRAKE SHOE
3	E46-7201	KEY WASHER	38	G25-6401	BAIL TRIP LEVER WASHER
4	373-3603	EARED WASHER	39	G19-3701	BAIL TRIP LEVER SCREW
5	E13-6001	DRAG WASHER	40	352-2501	BEARING RET SCREW
2-9	G23-8801	SPOOL	41	G19-3601	BEARING RET
2-9	G27-1801	SPOOL (EXTRA)	42	637-6101	BALL BEARING B
7	B07-5304	CLICK PAWL	43	G19-3501	BALL BEARING COLLAR
8	E40-3101	CLICK SPRING	44	B27-5403	BALL BEARING WASHER
9	320-5901	CLICK RET	45	F62-2301	CLUTCH CAM RET
10	E46-7101	SPOOL WASHER	46	F62-2201	CLUTCH CAM
11	F81-1501	CLICK GEAR	47	375-8502	CLUTCH CAM WASHER
12	G29-1501	MAIN SHAFT	48	F73-2501	SPACING SLEEVE
13	G01-6501	OSC SLIDER	49	G22-0601	ROLLER CLUTCH
14	351-0315	OSC SLIDER SCREW	50	634-1301	BALL BEARING C
15	F33-6102	ROTOR NUT	51	375-8504	PINION GEAR WASHER
16	G19-4003	ROTOR	52	G29-1201	PINION GEAR
17	G19-5601	LINE ROLLER SCREW	53	G23-8301	BODY
18	G19-4501	BAIL ARM	54	G19-3101	A/R LEVER
19	G22-4901	BAIL ARM SCREW	55	G19-3301	A/R CAM SPRING
21	F89-7101	LINE ROLLER WASHER	56	F76-7700	OSC GEAR WASHER
22	G02-0801	BALL BEARING A	57	F67-7401	OSC GEAR
23	F92-1601	LINE ROLLER	58	G19-3902	REAR COVER
24	G04-7601	LINE ROLLER COLLAR	59	F50-5701	REAR COVER SCREW
25	G19-4701	BAIL	60	G01-6601	DRIVE GEAR
26	351-6101	BAIL HOLDER SCREW	61	375-8500	DRIVE GEAR WASHER
27	G01-7504	BAIL SPRING SHAFT	62	634-1301	BALL BEARING D
28	G01-7701	BAIL SPRING	63	G19-3802	SIDE COVER
29	G01-7401	BAIL SPRING HOLDER	64	351-1106	SIDE COVER SCREW A
30	G19-4601	BAIL SPRING COVER	65	G25-9101	SIDE COVER SCREW B
31	G20-5101	BAIL SPRING COVER SCREW	66	G23-8501	HANDLE
32	G19-5102	BAIL HOLDER NUT	67	F72-1001	HANDLE COLLAR
33	G19-5201	BAIL HOLDER COVER	68	F67-6503	HANDLE SCREW
34	G19-4101	BAIL TRIP LEVER SPRING	69	G25-6401	REAR COVER WASHER