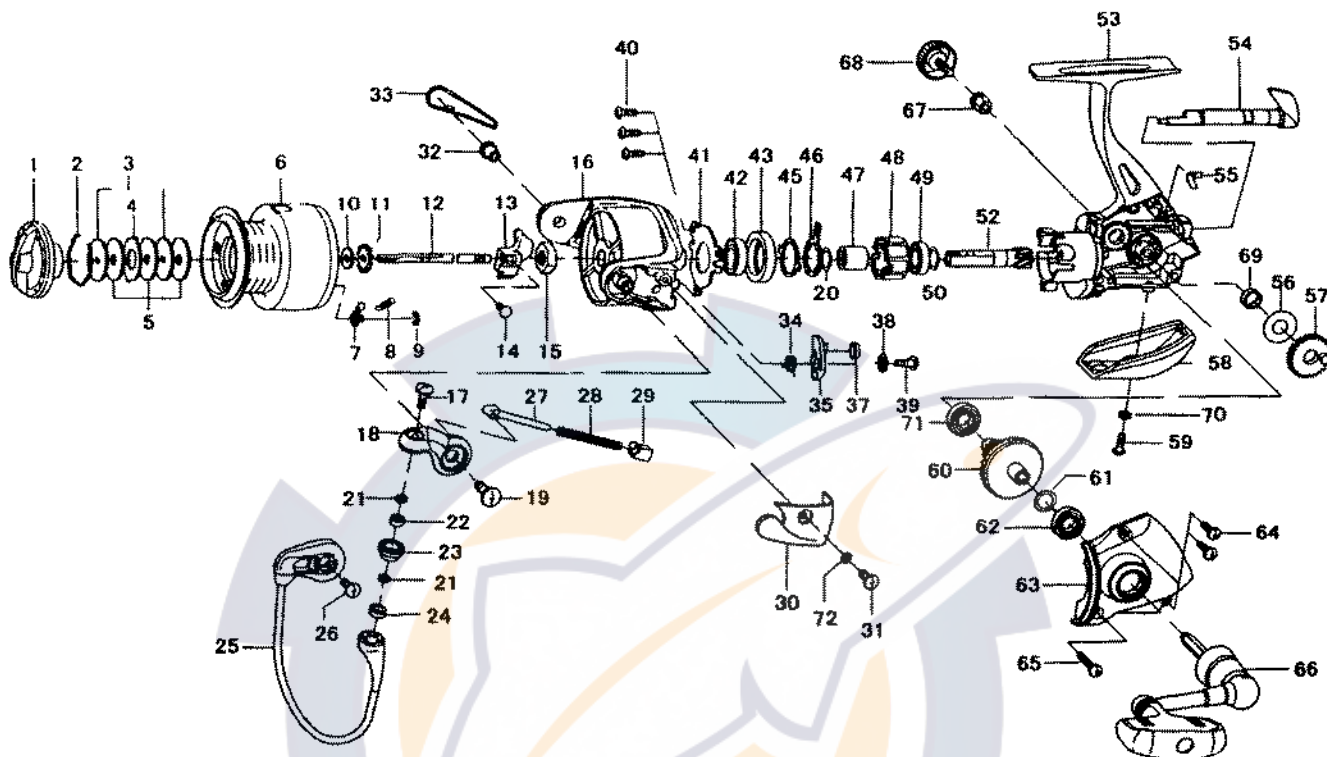


# Daiwa

COMMITTED TO TOTAL QUALITY

## SPINNING REEL

# CAPRICORN 3500A/4000A



Key No.	Parts No.	Parts Name
1	G25-5501	DRAG KNOB
2	F37-3301	DRAG WASHER RET
3	F09-4901	KEY WASHER
4	373-3603	EARED WASHER
5	E13-6001	DRAG WASHER
2-9	G48-4101	SPOOL
7	B07-5304	CLICK PAWL
8	G36-6501	CLICK SPRING
9	320-5901	CLICK RET
10	F09-4701	SPOOL WASHER
11	E46-2701	CLICK GEAR
12	G29-1601	MAIN SHAFT
13	G02-5501	OSC SLIDER
14	352-1505	OSC SLIDER SCREW
15	G12-3301	ROTOR NUT
16	G23-0203	ROTOR
17	G19-5601	LINE ROLLER
18	G19-4501	BAIL ARM
19	G22-4901	BAIL ARM SCREW
21	F89-7101	LINE ROLLER WASHER
22	G28-1601	BALL BEARING A
23	F92-1601	LINE ROLLER
24	G04-7601	LINE ROLLER COLLAR
25	G23-0401	BAIL
26	351-6101	BAIL HOLDER SCREW
27	G01-7502	BAIL SPRING SHAFT
28	G14-8601	BAIL SPRING
29	G01-7401	BAIL SPRING HOLDER
30	G23-0307	BAIL SPRING COVER
31	G20-5101	BAIL SPRING COVER SCREW
32	G19-5101	BAIL HOLDER NUT
33	G48-4001	BAIL HOLDER COVER
34	G19-4101	BAIL TRIP LEVER SPRING
35	G26-5402	BAIL TRIP LEVER
37	G19-4301	BRAKE SHOE
38	375-3002	BAIL TRIP LEVER WASHER

Key No.	Parts No.	Parts Name
39	G19-3701	BAIL TRIP LEVER SCREW
40	G33-2701	BEARING RET SCREW
41	G35-3701	BEARING RET
42	G47-2701	BALL BEARING B
43	G35-3601	BALL BEARING COLLAR
45	F64-1501	CLUTCH CAM RET
46	F64-1401	CLUTCH CAM
47	G35-3501	SPACING SLEEVE
48	G31-4501	ROLLER CLUTCH
49	G47-2701	BALL BEARING C
50	373-7814	PINION GEAR WASHER
52	G29-1301	PINION GEAR
53	G48-3901	BODY
54	G19-3103	A/R LEVER
55	G19-3301	A/R CAM SPRING
56	G13-1700	OSC GEAR WASHER
57	F74-7801	OSC GEAR
58	G23-0105	REAR COVER
59	G40-0102	REAR COVER SCREW
60	G02-5601	DRIVE GEAR
61	373-7808	DRIVE GEAR WASHER
62	E15-4001	BALL BEARING D
63	G23-0003	SIDE COVER
64	G33-2902	SIDE COVER SCREW A
65	G33-3002	SIDE COVER SCREW B
66	G25-5001	HANDLE
67	F72-1201	HANDLE COLLAR
68	F42-5808	HANDLE SCREW
69	F13-1601	OSC GEAR COLLAR
70	G25-6401	REAR COVER WASHER
71	E15-4001	BALL BEARING E
72	G25-6401	BAIL SPRING COVER WASHER

### SPECIAL PART FOR CA4000A

Key No.	Parts No.	Parts Name
2-9	G48-4301	SPOOL