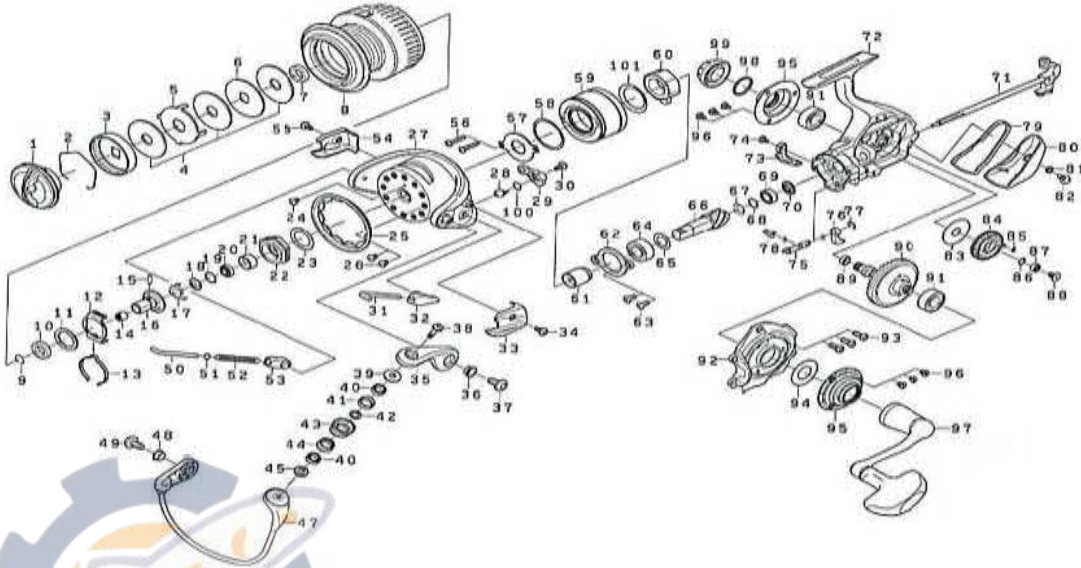


DAWA SPINNING REEL

CERTATE 2510PE-H

Please order by parts number, not key number
Veuillez indiquer le numéro de la pièce (Non "Key" No.)



| Key No. | Part No. | Part Name | Key No. | Part No. | Part Name |
|---------|----------|------------------------|---------|----------|-------------------------|
| 1 | J40-4701 | DRAG KNOB | 52 | J25-5301 | SPRING |
| 2 | F71-0001 | DRAG WASHER RET | 53 | G47-1602 | BAIL SPRING HOLDER |
| 3 | F89-5304 | DRAG KNOB CLICK PLT | 54 | J25-5901 | SIDE COVER (B) |
| 4 | H80-6501 | DRAG WASHER | 55 | J25-5201 | SCREW |
| 5 | F63-5201 | EARED WASHER | 56 | H41-3201 | SCREW |
| 6 | F63-5101 | KEY WASHER | 57 | H53-2602 | MAGNET HOLDER |
| 7 | H41-6301 | DRAG COLLAR | 58 | H41-3001 | O-RING |
| 8 | J29-3901 | SPOOL ASSEMBLY | 59 | H51-9309 | COVER |
| 9 | G47-2401 | BEARING RETAINER | 60 | H41-2601 | ROLLR CLUTCH |
| 10 | H41-6301 | DRAG COLLAR | 61 | H41-2501 | SPACING SLEEVE |
| 11 | H80-6301 | WASHER | 62 | H73-9191 | BEARING RET |
| 12 | H41-6001 | CLICK HOLDER | 63 | E13-4501 | SCREW |
| 13 | H41-6101 | CLICK LEAF SPRING | 64 | G53-5105 | BALL BEARING |
| 14 | J18-0801 | SPOOL METAL NUT | 65 | H41-1401 | WASHER |
| 15 | G37-5001 | PIN | 66+90 | Z02-2470 | PINION+DRIVE GEAR UNIT |
| 16 | H41-5901 | SPOOL METAL | 67 | H41-1301 | SPRING WASHER |
| 17 | G47-1501 | BEARING RET | 68 | E09-6501 | WASHER |
| 18 | H41-5701 | ROTOR NUT PACKING | 69 | G53-8007 | BALL BEARING |
| 19 | 375-5201 | WASHER | 70 | H41-1201 | COLLAR |
| 20 | J25-3201 | BALL BEARING | 71 | J25-2501 | MAIN SHAFT |
| 21 | J25-3101 | COLLAR | 72 | J25-2401 | BODY |
| 22 | J25-3001 | ROTOR NUT | 73 | H41-2201 | BAIL TRIP PLT |
| 23 | 371-2824 | WASHER | 74 | H45-5406 | SCREW |
| 24 | H02-2701 | SCREW | 75 | H41-0001 | A/R CAM |
| 25 | J25-7101 | LINE GUARD RING | 76 | H41-0101 | A/R LEVER |
| 26 | H02-2701 | LINE GUARD SCREW | 77 | B33-9801 | RET |
| 27 | J25-4301 | ROTOR | 78 | H41-0201 | A/R CAM SPRING |
| 28 | H41-3601 | BAIL TRIP LEVER SPRING | 79 | H41-3301 | PACKING |
| 29 | J25-4401 | BAIL TRIP LEVER | 80 | H41-3401 | REAR COVER |
| 30 | H41-7701 | SCREW B | 81 | H35-2801 | WASHER |
| 31 | J25-4601 | SHAFT | 82 | H51-2401 | SCREW |
| 32 | J25-4701 | BAIL SPRING HOLDER | 83 | H60-7901 | WASHER |
| 33 | J25-5101 | SIDE COVER (A) | 84 | H41-0401 | OSC GEAR |
| 34 | J25-5201 | SCREW | 85 | G68-3301 | O-RING |
| 35 | J25-4801 | BAIL AIRM | 86 | H12-9201 | WASHER |
| 36 | J25-4901 | COLLAR | 87 | G46-9002 | BALL BEARING |
| 37 | J25-5001 | BAIL ARM SCREW | 88 | G94-0402 | SCREW |
| 38 | J25-7001 | SCREW | 89 | H45-5601 | RING |
| 39 | J25-6801 | MAGNET ASSEMBLY (A) | 91 | J03-0301 | BALL BEARING (MS) |
| 40 | J25-6701 | BALL BEARING | 92 | H41-2308 | SIDE COVER |
| 41 | J25-6601 | COLLAR | 93 | H43-1001 | SCREW |
| 42 | J25-6301 | COLLAR | 94 | H41-2401 | WASHER |
| 43 | J25-6501 | LINE ROLLER | 95 | J25-2003 | BODY COVER (A) |
| 44 | J25-6401 | COLLAR | 96 | H74-0302 | SCREW |
| 45 | J25-6001 | MAGNET ASSEMBLY (B) | 97 | J25-3401 | HANDLE ASSEMBLY |
| 47 | J25-5401 | BAIL ASSEMBLY | 98 | G39-9702 | O-RING |
| 48 | J25-4901 | COLLAR | 99 | H41-7201 | HANDLE SCREW CAP |
| 49 | J25-5001 | BAIL ARM SCREW | 100 | J33-9500 | WASHER |
| 50 | G47-1803 | BAIL SPRING SHAFT | 100 | J33-9501 | WASHER (THICKNESS 0.05) |
| 51 | G68-5401 | BAIL SPRING WASHER | 100 | J33-9502 | WASHER (THICKNESS 0.1) |