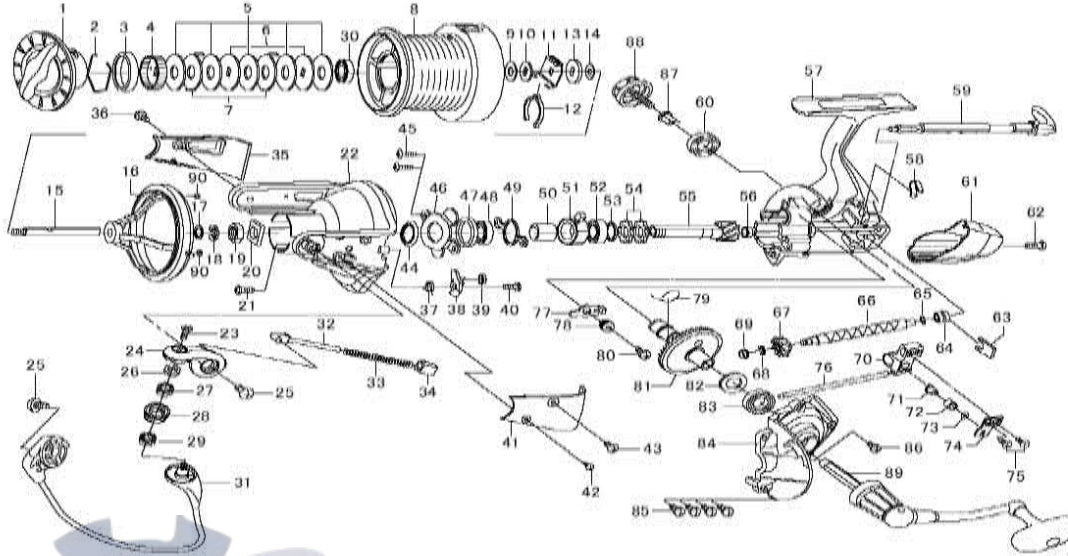


Please order by parts number, not key number
 Veuillez indiquer le numéro de la pièce (Non "Key" No.)

DAIWA
 SPINNING REEL

CROSSCAST X5000/X5500/X5000LD



Key No.	Part No.	Parts Name	Key No.	Part No.	Parts Name
1	Q04-8301	DRAG KNOB	51	G84-5601	ROLLER CLUTCH
2	F88-4001	DRAG WASHER RETAINER	52	B54-6003	BALL BEARING (C)
3	H49-6501	COLLAR (A)	53	Q05-9201	RATCHET
4	G42-1401	DRAG RATCHET	54	G17-6702	PINION GEAR
5	Q06-5301	DRAG WASHER	55	Q03-7101	COLLAR (G)
6	F75-5701	KEY WASHER	56	G40-0401	BODY
7	F88-1702	EARED WASHER	57	Q04-7501	ANTI-REVERSE CAM SPRING
2-8	Q04-8101	SPOOL ASSEMBLY	58	Q05-9001	ANTI-REVERSE CAM LEVER
2-8	Q04-8202	EXTRA SPOOL ASSEMBLY	59	Q03-6704	BALL BEARING (D)
9	E39-9200	WASHER (A)	60	G15-6801	REAR COVER
10	F04-3402	WASHER (B)	61	Q03-7502	SCREW (I)
11	H05-0601	CAP	62	G27-0801	WORM SHAFT RETAINER (A)
12	F70-4902	SPOOL CLICK LEAF SPRING	63	H35-5001	COLLAR (H)
13	E26-7501	WASHER (C)	64	H35-4801	WASHER (E)
14	G87-8201	SPRING WASHER	65	B41-1700	WORM SHAFT
15	H49-7401	MAIN SHAFT	66	H35-9901	WORM SHAFT GEAR
16	Q03-8802	LINE GUARD	67	Q03-7001	WORM SHAFT RETAINER (B)
17	G40-8301	WASHER (D)	68	320-5901	COLLAR (I)
18	320-1611	RETAINER	69	H35-4701	OSCILLATING SLIDER
19	H49-5901	ROTOR NUT	70	H35-5601	OSCILLATING PAWL
20	G39-2201	PLATE	71	H35-5701	COLLAR (J)
21	G17-1402	SCREW (A)	72	H35-5801	WASHER (F)
22	Q03-7602	ROTOR	73	375-0800	OSCILLATING SLIDER COVER
23	E45-4007	SCREW (B)	74	H35-6001	SCREW (J)
24	Q03-8204	BAIL ARM	75	352-1505	STABILIZER BAR
25	G45-5601	SCREW (C)	76	H35-4901	ANTI-REVERSE PAWL
26	H04-9901	COLLAR (B)	77	H35-4301	COLLAR (K)
27	H19-4701	COLLAR (C)	78	H35-4401	ANTI-REVERSE PAWL SPRING
28	G74-0402	LINE ROLLER	79	H35-6201	SCREW (K)
29	H19-4701	COLLAR (D)	80	B00-8601	DRIVE GEAR
30	G46-7102	BALL BEARING (A)	81	Q03-7201	WASHER (G)
31	Q04-7701	BAIL ASSEMBLY	82	B27-0700	BALL BEARING (E)
32	Q03-8101	BAIL SPRING SHAFT	83	G42-6302	SIDE COVER
33	Q05-8901	BAIL SPRING	84	Q04-7601	SCREW (L)
34	Q03-8001	BAIL SPRING HOLDER	85	G41-0701	SCREW (M)
35	Q044102	COVER (B)	86	B00-8601	COLLAR (L)
36	G20-5101	SCREW (D)	87	F40-9001	HANDLE SCREW
37	Q04-8801	BAIL TRIP LEVER SPRING	88	H47-7501	HANDLE ASSEMBLY
38	Q03-7701	BAIL TRIP LEVER	89	Q04-7901	"O" RING
39	G19-4301	BRAKE SHOE	90	B85-3101	
40	G19-3701	SCREW (E)			
41	Q04-4002	COVER (A)			
42	G45-5701	SCREW (F)			
43	G20-5101	SCREW (G)			
44	H44-6101	PACKING			
45	L00-1801	SCREW (H)			
46	H35-5501	BEARING RETAINER			
47	Q05-9101	COLLAR (E)			
48	B54-6003	BALL BEARING (B)			
49	H35-5301	CLUTCH CAM RETAINER			
50	H35-5201	SPACING SLEEVE			

CROSSCAST X5500 Special Parts		
2-8	Q04-9001	SPOOL ASSEMBLY
2-8	Q04-9102	EXTRA SPOOL ASSEMBLY

CROSSCAST X5000LD Special Parts		
2-8	Q04-9201	SPOOL ASSEMBLY
2-8	Q04-9302	EXTRA SPOOL ASSEMBLY