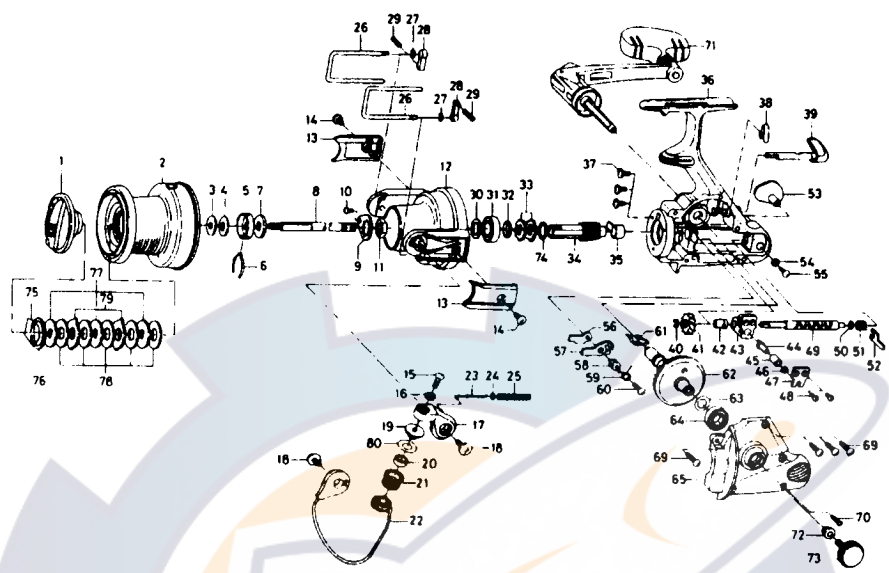


SPINNING REEL EMBLEM-X4500T/5000T



| Key No. | Parts No. | Parts Name | Key No. | Parts No. | Parts Name |
|---------|-----------|--------------------------------|---------|-----------|----------------------------|
| 2,75-79 | F52-7901 | Spool assembly | 49 | E39-5201 | Worm shaft |
| 1 | F52-8001 | Drag knob | 50 | 375-4102 | Worm shaft washer |
| 2 | F52-9501 | Spool assembly | 51 | E19-1101 | Worm shaft collar |
| 3 | E39-9201 | Spool washer A | 52 | F07-6901 | Worm shaft retainer |
| 4 | F04-3401 | Spool washer B | 53 | F30-0106 | Rear cover |
| 5 | F20-4001 | Click leaf spring holder | 54 | E15-3101 | Rear cover washer |
| 6 | B74-7701 | Spool click leaf spring | 55 | E33-0402 | Rear cover screw |
| 7 | E26-7501 | Main shaft washer | 56 | F39-0901 | Anti-reverse pawl plate |
| 8 | F52-1202 | Main shaft | 57 | F38-5201 | Anti-reverse pawl |
| 9 | E33-3801 | Rotor nut holding plate | 58 | E26-2101 | Anti-reverse pawl collar |
| 10 | E15-7502 | Rotor nut holding plate screw | 59 | E26-2201 | Anti-reverse pawl spring A |
| 11 | B43-7605 | Rotor nut | 60 | B83-5002 | Anti-reverse pawl screw |
| 12 | F36-1109 | Rotor | 61 | E26-4501 | Anti-reverse pawl spring B |
| 13 | E39-6318 | Bail spring cover | 62 | E39-5301 | Drive gear |
| 14 | E10-7401 | Bail spring cover screw | 63 | 371-2822 | Drive gear washer |
| 15 | E45-4004 | Line roller screw | 64 | B54-6001 | Ball bearing C |
| 16 | 160-8401 | Lock washer | 65 | F52-7801 | Side cover |
| 17 | F47-2101 | Bail arm | 69 | B00-9701 | Side cover screw A |
| 18 | E00-7601 | Bail arm screw | 70 | E15-8602 | Side cover screw B |
| 19 | F44-6302 | Line roller collar | 71 | F52-9401 | Handle assembly |
| 20 | F05-5601 | Ball bearing A | 72 | F40-9001 | Handle collar |
| 21 | F45-4902 | Line roller | 73 | L00-9107 | Handle lock screw |
| 22 | F47-2201 | Bail assembly | 74 | 372-7603 | Spacer |
| 23 | E32-6701 | Bail spring shaft | 75 | 170-4101 | Drag washer retainer |
| 24 | E31-3901 | Bail spring washer | 76 | F03-9701 | Drag plate |
| 25 | E39-5901 | Bail spring | 77 | F03-5101 | Key washer |
| 26 | E39-6102 | Line guard shaft | 78 | B36-0207 | Drag washer |
| 27 | B33-9801 | Line guard retainer | 79 | 372-3832 | Eared washer |
| 28 | E39-6201 | Line guard plate | 80 | F44-6202 | Line roller washer |
| 29 | F06-3301 | Line guard spring | | | |
| 30 | 372-7603 | Bearing washer | | | |
| 31 | 637-6101 | Ball bearing B | | | |
| 32 | F03-5001 | Spacing sleeve | | | |
| 33 | F04-3501 | Anti-reverse ratchet | | | |
| 34 | E39-0202 | Pinion gear | | | |
| 35 | E33-2101 | Pinion collar | | | |
| 36 | F52-7701 | Body assembly | | | |
| 37 | E03-7801 | Bearing retainer screw | | | |
| 38 | E32-7801 | Anti-reverse cam spring | | | |
| 39 | F03-5401 | Anti-reverse lever | | | |
| 40 | 320-5901 | Worm shaft gear retainer | | | |
| 41 | F53-2701 | Worm shaft gear | | | |
| 42 | E39-3501 | Worm shaft bush | | | |
| 43 | E39-5101 | Oscillating slider | | | |
| 44 | E26-4101 | Oscillating pawl | | | |
| 45 | E26-4201 | Oscillating pawl bush | | | |
| 46 | 375-0801 | Oscillating pawl washer | | | |
| 47 | F96-4301 | Oscillating slider cover | | | |
| 48 | 352-1502 | Oscillating slider cover screw | | | |

EM-X5000T Special parts

| | | |
|---------|----------|----------------|
| 2,75-79 | F53-2501 | Spool assembly |
| 2 | F52-9601 | Spool assembly |
| 12 | F36-1206 | Rotor |
| 22 | F52-3601 | Bail assembly |
| 36 | F52-8601 | Body assembly |
| 65 | F52-8701 | Side cover |