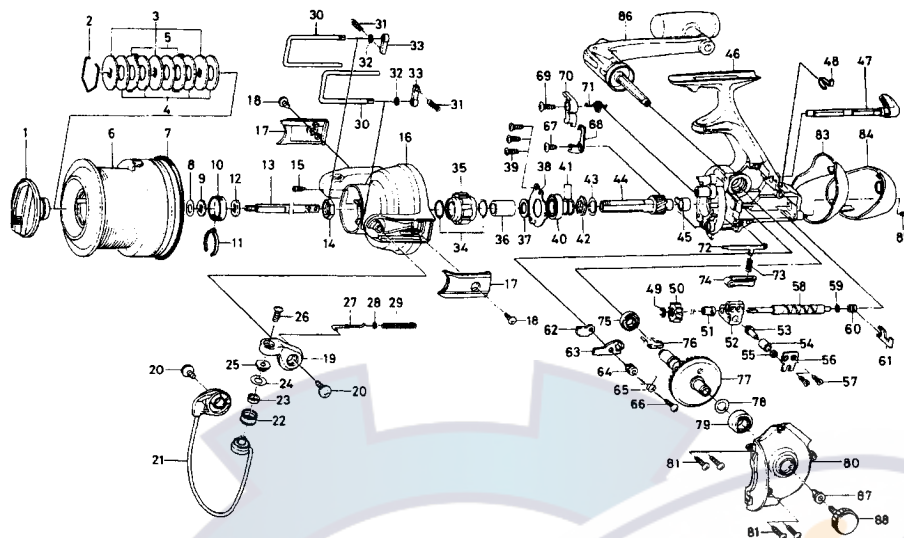




SPINNING REEL

EMBLEM-X4500A / 5000A / 5500A



Key No.	Parts No.	Parts Name
2-7	F88-3001	SPOOL
1	F52-8001	DRAG KNOB
2	F88-4001	DRAG WASHER RET
3	F88-1701	KEY WASHER
4	F75-5501	DRAG WASHER
5	F75-5701	EARED WASHER
7	E40-2901	O RING
8	E39-9201	SPOOL WASHER A
9	F04-3401	SPOOL WASHER B
10	F20-4001	CLICK LEAF SPRING HOLDER
11	B74-7701	SPOOL CLICK LEAF SPRING
12	E26-7501	MAIN SHAFT WASHER
13	F88-0201	MAIN SHAFT
14	B43-7608	ROTOR NUT
15	E15-7502	ROTOR NUT LOCK SCREW
16	F97-3402	ROTOR
17	E43-2812	BAIL SPRING COVER
18	E10-7401	BAIL SPRING COVER SCREW
19	F47-2101	BAIL ARM
20	E00-7601	BAIL ARM SCREW
21	F97-2401	BAIL
22	F45-4902	LINE ROLLER
23	F05-5601	BALL BEARING A
24	F44-6202	LINE ROLLER WASHER
25	F44-6302	LINE ROLLER COLLAR
26	F60-8901	LINE ROLLER SCREW
27	E32-6701	BAIL SPRING SHAFT
28	E31-3901	BAIL SPRING WASHER
29	E44-1301	BAIL SPRING
30	E43-1302	LINE GUARD SHAFT
31	F06-3301	LINE GUARD SPRING
32	B33-9801	LINE GUARD RET
33	E39-6201	LINE GUARD PLT
34	F88-1001	ROLLER CLUTCH RET
35	F88-1101	ROLLER CLUTCH
36	F70-9801	SPACING SLEEVE
37	F26-7702	BEARING WASHER
38	F88-0101	BEARING RET
39	F21-2201	BEARING RET SCREW
40	637-6101	BALL BEARING B
41	372-7607	SPACER
42	F88-0001	A/R RATCHET
43	372-7603	PINION WASHER
44	F88-2501	PINION GEAR
45	E33-2101	PINION COLLAR
46	F96-8001	BODY
47	F88-9502	A/R LEVER
48	F87-9501	A/R CAM SPRING
49	320-5901	WORM SHAFT GEAR RET

Key No.	Parts No.	Parts Name
50	F53-2701	WORM SHAFT GEAR
51	E39-3501	WORM SHAFT BUSH
52	F97-2301	OSC SLIDER
53	E26-4101	OSC PAWL
54	E26-4201	OSC PAWL BUSH
55	375-0801	OSC PAWL WASHER
56	E26-4301	OSC SLIDER COVER
57	352-1505	OSC SLIDER COVER SCREW
58	E54-1101	WORM SHAFT
59	B41-1701	WORM SHAFT WASHER
60	E43-6101	WORM SHAFT COLLAR
61	E43-6201	WORM SHAFT RET
62	F87-9701	A/R PAWL PLT
63	F87-9801	A/R PAWL
64	E26-2101	A/R PAWL COLLAR
65	E43-6301	A/R PAWL SPRING
66	B00-9701	A/R PAWL SCREW
67	B84-2102	A/R CLAW SCREW
68	F88-0401	A/R CLAW PLT
69	L06-6501	A/R CLAW SCREW B
70	F88-0501	A/R CLAW
71	F88-0601	A/R CLAW SPRING
72	F88-0701	PUSH BUTTON PLT
73	F88-0801	PUSH BUTTON SPRING
74	F88-0902	PUSH BUTTON
75	E45-3901	BALL BEARING C
76	E26-4501	A/R PAWL SPRING B
77	E39-5302	DRIVE GEAR
78	371-2824	DRIVE GEAR WASHER
79	B54-6001	BALL BEARING D
80	F88-0302	SIDE COVER
81	B00-9701	SIDE COVER SCREW
83	F88-4502	WATER SHIELD
84	F88-4602	REAR COVER
85	E24-8101	REAR COVER SCREW
86	F88-2601	HANDLE
87	F40-9001	HANDLE COLLAR
88	L00-9104	HANDLE LOCK SCREW

EM-X5000A Special Parts

Key No.	Parts No.	Parts Name
2-7	F90-6001	SPOOL
46	F96-8201	BODY

EM-X5500A Special Parts

Key No.	Parts No.	Parts Name
2-7	F90-6701	SPOOL
46	F96-8101	BODY