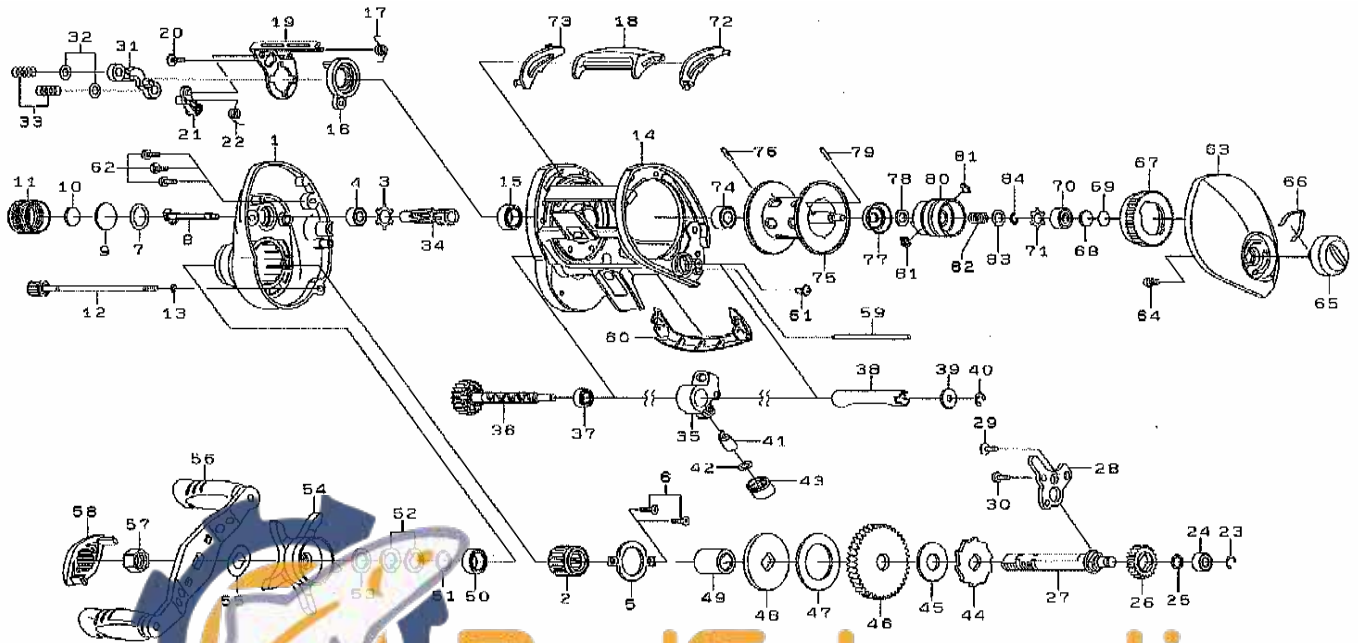


Please order by parts number, not key number
Veuillez indiquer le numéro de la pièce.

Daiwa
COMMITTED TO TOTAL QUALITY
BAITCASTING REEL

EXCELER 100HL



EXCELER 100HL

Key No.	Parts No.	Parts Name	Key No.	Parts No.	Parts Name
1	H01-5101	Left side plate	38	G93-4201	Level wind guard
2	G93-0501	Roller clutch	39	F65-5501	Worm shaft washer
3	H00-3101	Bearing retainer (A)	40	320-5901	Worm shaft retainer
4	B35-8607	Ball bearing (A)	41	F51-6501	Line guide pawl
5	G93-0901	Handle metal plate	42	373-1300	Line guide washer
6	G27-0701	Handle metal plate screw	43	F40-2801	Pawl cap
7	B05-5201	"0" ring (A)	44	G93-4301	Clutch wheel
8	G93-1001	Pinion shaft	45	G93-4401	Drive shaft washer
9	375-7501	Spool adjusting cap metal	46	H02-5301	Drive gear (B)
10	B17-5503	Spacer (A)	47	G93-4601	Drag washer
11	G96-9802	Cast control cap	48	G93-4701	Key washer
12	G93-1101	Left side plate screw (A)	49	G93-4801	Gear shaft collar
13	B85-3101	"0" ring (B)	50	B86-1704	Ball bearing (B)
14	H01-5201	Frame assembly	51	B55-3801	Bearing washer
15	B86-1704	Ball bearing (B)	52	150-8901	Drag spring washer
16	G97-4401	Clutch cam (A)	53	373-7810	Spacing sleeve
17	G97-4501	Clutch cam spring (A)	54	H01-3702	Star drag
18	G93-1801	Clutch lever	55	150-9001	Friction washer
19	G97-4601	Clutch cam (B)	56	H01-3801	Handle assembly
20	352-2501	Clutch cam screw	57	F84-9904	Handle nut
21	G97-4701	Clutch trip lever	58	G96-9902	Handle nut plate
22	G97-4801	Clutch cam spring (B)	59	H00-2401	Stabilizer bar
23	320-8002	Retainer (A)	60	H01-7501	Front plate
24	B35-8607	Ball bearing (A)	61	G61-1501	Front plate screw
25	E09-6501	Washer (A)	62	351-1001	Left side plate screw (B)
26	G93-2201	Drive gear (A)	63	H01-7601	Right side plate
27	G93-2302	Drive shaft	64	F21-2201	Set plate screw
28	G93-2401	Drive shaft retainer	65	G93-6203	Brake adjusting knob
29	352-2501	Drive shaft retainer screw (A)	66	H08-4401	Brake click spring
30	351-1001	Drive shaft retainer screw (B)	67	H02-9701	Magnet holder
31	G97-5201	Yoke	68	375-7411	Spacer (B)
32	B41-1706	Yoke washer	69	375-7404	Spacer (C)
33	G85-0301	Yoke spring	70	G51-1505	Ball bearing (C)
34	H02-5201	Pinion gear	71	G93-6301	Bearing retainer (B)
35	H00-1701	Line guide	72	H01-3501	Spacer (D)
36	G93-9901	Worm shaft assembly	73	H01-3601	Spacer (E)
37	G05-1701	Bearing (A)	74-84	Z01-8443	Spool assembly