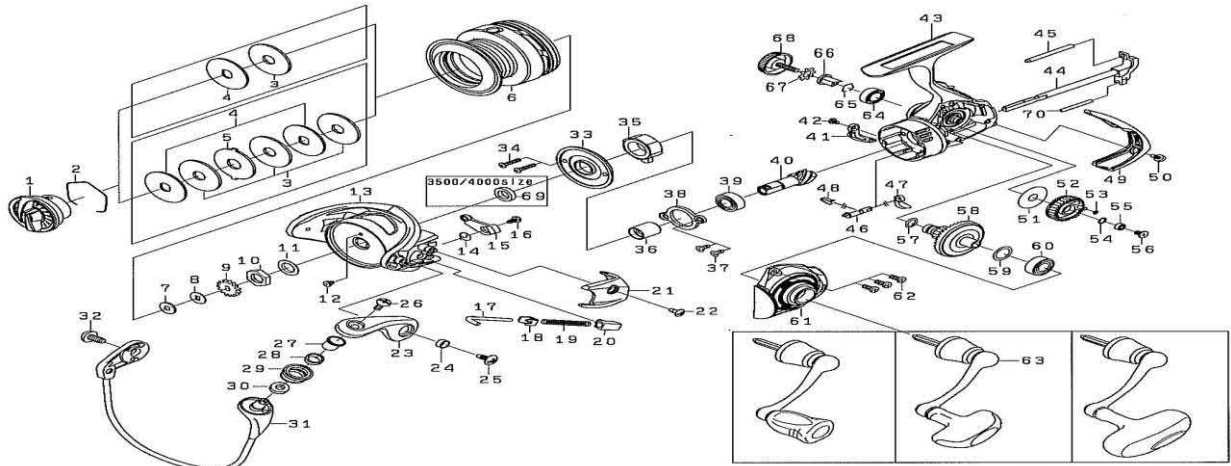




Please order by parts number, not key number
 Veuillez indiquer le numéro de la pièce (Non "Key" No.)

SPINNING REEL EXCELER 1500-2500SH/3000-4000H



| KEY NO. | PART NAME | 1500SH | 2000SH | 2500SH | 3000H | 3500H | 4000H |
|---------|--------------------------|----------|----------|----------|----------|----------|----------|
| 1 | DRAG KNOB | J14-2301 | J14-2301 | J14-2201 | J14-2201 | J14-2401 | J14-2401 |
| 2 | DRAG WASHER RETAINER | F88-4001 | F88-4001 | F88-4001 | F88-4001 | F88-4001 | F88-4001 |
| 3 | WASHER | F69-1001 | F69-1001 | F69-1001 | F69-1001 | F69-1001 | F69-1001 |
| 4 | DRAG WASHER | G70-0601 | G70-0601 | G70-0601 | G70-0601 | G70-0601 | G70-0601 |
| 5 | EARED WASHER | -- | -- | G70-0701 | G70-0701 | G70-0701 | G70-0701 |
| 2-6 | SPOOL ASSEMBLY | J02-4701 | J02-3001 | J00-2201 | J01-4001 | J05-8201 | J02-1901 |
| 7 | WASHER | E39-8000 | E39-8000 | E39-8000 | E39-8000 | E39-8000 | E39-8000 |
| 8 | WASHER | E46-7101 | E46-7101 | E46-7101 | E46-7101 | E46-7101 | E46-7101 |
| 9 | SPOOL CLICK GEAR | G83-9301 | G83-9301 | G83-9301 | G83-9301 | G83-9301 | G83-9301 |
| 10 | ROTOR NUT | J00-1901 | J00-1901 | J00-1901 | J00-1901 | J02-1601 | J02-1601 |
| 11 | WASHER | 371-2824 | 371-2824 | 371-2824 | 371-2824 | G64-5603 | G64-5603 |
| 12 | SCREW | H02-2701 | H02-2701 | H02-2701 | H02-2701 | H02-2701 | H02-2701 |
| 13 | ROTOR | H97-4305 | H97-4305 | H96-0006 | H98-6304 | H99-4304 | H99-4304 |
| 14 | BAIL TRIP LEVER SPRING | H44-3301 | H44-3301 | H41-3601 | H41-3601 | H41-3601 | H41-3601 |
| 15 | BAIL TRIP LEVER | H44-3401 | H44-3401 | J03-8501 | J07-2301 | H99-4401 | H99-4401 |
| 16 | SCREW | H41-7701 | H41-7701 | H41-7701 | H41-7701 | H41-7701 | H41-7701 |
| 17 | BAIL SPRING SHAFT | H44-3601 | H44-3601 | H41-4101 | H57-2001 | H64-0601 | H64-0601 |
| 18 | BAIL SPRING PLATE | H57-6101 | H57-6101 | H57-6101 | H57-6101 | H57-6101 | H57-6101 |
| 19 | BAIL SPRING | H44-2401 | H44-2401 | H54-5701 | J08-9301 | J08-4301 | J08-4301 |
| 20 | BAIL SPRING HOLDER | H41-4301 | H41-4301 | H41-4301 | J08-9401 | J08-9401 | J08-9401 |
| 21 | COVER(A) | H97-4401 | H97-4401 | H96-0201 | H98-6401 | H99-4601 | H99-4601 |
| 22 | SCREW | G27-0801 | G27-0801 | G27-0801 | G27-0801 | G27-0801 | G27-0801 |
| 23 | BAIL ARM | H72-8912 | H72-8912 | H72-8912 | H72-8912 | H72-8912 | H72-8912 |
| 24 | COLLAR | H96-2401 | H96-2401 | H96-2401 | H96-2401 | H96-2401 | H96-2401 |
| 25 | SCREW | G20-5001 | G20-5001 | G20-5001 | G20-5001 | G20-5001 | G20-5001 |
| 26 | SCREW | G19-5602 | G19-5602 | G19-5602 | G19-5602 | G19-5602 | G19-5602 |
| 27 | COLLAR | G19-5501 | G19-5501 | G19-5501 | G19-5501 | G19-5501 | G19-5501 |
| 28 | COLLAR | G22-0701 | G22-0701 | G22-0701 | G22-0701 | G22-0701 | G22-0701 |
| 29 | LINE ROLLER | J08-9901 | J08-9901 | J08-9901 | J08-9901 | J08-9901 | J08-9901 |
| 30 | COLLAR | G87-4201 | G87-4201 | G87-4201 | G87-4201 | G87-4201 | G87-4201 |
| 31 | BAIL ASSEMBLY | H98-3201 | H98-3201 | H98-2801 | H98-3601 | H98-4001 | H98-4001 |
| 32 | SCREW | G20-5001 | G20-5001 | G20-5001 | G20-5001 | G20-5001 | G20-5001 |
| 33 | CAP | J02-2701 | J02-2701 | J00-1501 | J01-3401 | J02-1401 | J02-1401 |
| 34 | SCREW | J00-1601 | J00-1601 | J00-1601 | J00-1601 | J00-1601 | J00-1601 |
| 35 | ROLLER CLUTCH | H99-2901 | H99-2901 | H99-2901 | H99-2901 | J01-5701 | J01-5701 |
| 36 | SPACING SLEEVE | J00-1401 | J00-1401 | J00-1401 | J00-1401 | J02-1301 | J02-1301 |
| 37 | SCREW | J00-0901 | J00-0901 | J00-0901 | J00-0901 | J00-0901 | J00-0901 |
| 38 | BEARING RETAINER | H44-2201 | H44-2201 | H44-2201 | H41-1501 | J02-0801 | J02-0801 |
| 39 | BALL BEARING | G46-7302 | G46-7302 | G46-7302 | G53-5104 | G52-2802 | G52-2802 |
| 40+58 | PINION + DRIVE GEAR UNIT | Z02-1510 | Z02-1510 | Z02-1510 | Z02-1570 | Z02-1606 | Z02-1606 |
| 41 | BAIL TRIP PLATE | J02-2601 | J02-2601 | J00-1101 | J00-1101 | J02-1001 | J02-1001 |
| 42 | SCREW | G94-0402 | G94-0402 | G94-0402 | G94-0402 | G94-0402 | G94-0402 |
| 43 | BODY | J00-0001 | J00-0001 | J00-0001 | J01-2301 | J02-0001 | J02-0001 |
| 44 | MAIN SHAFT | J02-2401 | J02-2401 | J00-0701 | J01-2801 | J02-0601 | J02-0601 |
| 45 | STABILIZER BAR | H61-4301 | H61-4301 | H61-4301 | H61-4301 | H61-4301 | H61-4301 |
| 46 | ANTI-REVERSE CAM | H59-5501 | H59-5501 | H59-5501 | H59-5501 | J02-0501 | J02-0501 |
| 47 | ANTI-REVERSE LEVER | H59-5401 | H59-5401 | H59-5401 | H59-5401 | H59-5401 | H59-5401 |
| 48 | ANTI-REVERSE CAM SPRING | H69-7801 | H69-7801 | H69-7801 | H69-7801 | H69-7801 | H69-7801 |
| 49 | REAR COVER | J00-1701 | J00-1701 | J00-1701 | J01-3501 | J02-1501 | J02-1501 |
| 50 | SCREW | J00-1801 | J00-1801 | J00-1801 | J00-1801 | J00-1801 | J00-1801 |
| 51 | WASHER | H59-5701 | H59-5701 | H59-5701 | H59-5701 | G64-4201 | G64-4201 |
| 52 | OSCILLATING GEAR | H76-8401 | H76-8401 | H72-7901 | H61-3901 | G64-4302 | G64-4302 |
| 53 | O RING | H77-0601 | H77-0601 | H77-0601 | G46-6001 | B85-3101 | B85-3101 |
| 54 | WASHER | H12-9200 | H12-9200 | H12-9200 | H12-9200 | G52-2100 | G52-2100 |
| 55 | BALL BEARING | G46-9005 | G46-9005 | G46-9005 | G46-9005 | G46-7105 | G46-7105 |
| 56 | SCREW | G94-0402 | G94-0402 | G94-0402 | G94-0402 | H27-2202 | H27-2202 |
| 57 | O RING | G67-0501 | G67-0501 | G67-0501 | G67-0501 | G64-5301 | G64-5301 |
| 59 | WASHER | 375-8500 | 375-8500 | 375-8500 | 375-8500 | 373-7800 | 373-7800 |
| 60 | BALL BEARING | G46-7302 | G46-7302 | G46-7302 | G46-7302 | G52-3405 | G52-3405 |
| 61 | SIDE COVER | J00-1201 | J00-1201 | J00-1201 | J01-3201 | J02-1101 | J02-1101 |
| 62 | SCREW | G33-2904 | G33-2904 | G33-2904 | G33-2904 | G33-2904 | G33-2904 |
| 63 | HANDLE ASSEMBLY | J02-2801 | J02-2801 | J00-2001 | J01-3601 | J02-1701 | J02-1701 |
| 64 | BALL BEARING | G52-2703 | G52-2703 | G52-2703 | G52-2703 | B86-1704 | B86-1704 |
| 65 | BEARING RETAINER | G47-2401 | G47-2401 | G47-2401 | G47-2401 | G52-5101 | G52-5101 |
| 66 | COLLAR | F72-1001 | F72-1001 | F72-1001 | F72-1001 | F72-1202 | F72-1202 |
| 67 | WASHER | 160-8101 | 160-8101 | 160-8101 | 160-8101 | 160-8101 | 160-8101 |
| 68 | HANDLE SCREW | H61-3302 | H61-3302 | H61-3302 | H61-3302 | H64-1802 | H64-1802 |
| 69 | - | -- | -- | -- | -- | H64-0301 | H64-0301 |
| 70 | STABILIZER BAR | J08-4801 | J08-4801 | J08-4801 | J08-4802 | J08-4803 | J08-4803 |