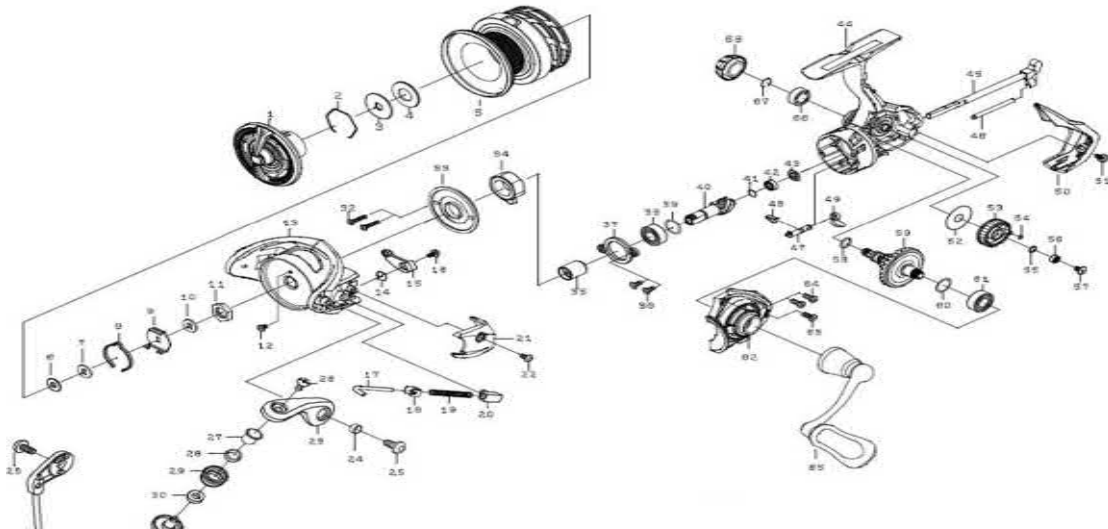


EXLT1000D



Key No.	Part No.	Part Name	Key No.	Part No.	Part Name
1	Q37-6901	DRAG KNOB	35	J00-1401	SPACING SLEEVE
2	Q34-6101	DRAG RETAINER	36	Q12-6201	SCREW
3	J54-7601	DRAG DISC WASHER	37	Q19-5601	BEARING PLATE
4	J67-8901	DRAG WASHER	38	G46-7302	BALL BEARING
5	Q40-1401	SPOOL ASSEMBLY	39	375-8502	GEAR WASHER
6	E59-8003	SPOOL WASHER	40	Q37-5701	PINION GEAR
7	Q34-8502	SPOOL WASHER	41	H93-1701	SPRING WASHER
8	J52-5101	CLICK LEAF SPRING	42	H95-9601	BALL BEARING
9	J54-6201	CLICK LEAF SPRING HOLDER	43	J38-7701	BEARING COLLAR
10	Q34-4001	CLICK LEAF WASHER	44	Q40-1201	BODY
11	Q12-2401	ROTOR NUT	45	Q37-5301	MAIN SHAFT
12	H02-2701	SCREW	46	Q11-9104	STABILIZER BAR
13	Q13-9515	ROTOR	47	Q11-8101	A/R CAM
14	H44-3301	BAIL TRIP LEVER SPRING	48	H69-7801	A/R CAM SPRING
15	Q13-9601	BAIL TRIP LEVER	49	Q11-8001	A/R LEVER
16	H41-7701	SCREW	50	Q37-6201	REAR COVER
17	Q13-9801	BAIL SPRING SHAFT	51	Q34-2901	SCREW
18	H57-6101	BAIL SPRING PLATE	52	H60-7902	WASHER
19	H44-2401	BAIL SPRING	53	Q37-5201	OSC GEAR
20	Q12-1501	BAIL SPRING HOLDER	54	H77-0601	O'RING
21	Q14-6501	BAIL SPRING COVER	55	H12-9201	WASHER
22	Q34-2901	SCREW	56	G46-9005	BALL BEARING
23	Q12-1613	BAIL ARM	57	Q12-6101	SCREW
24	Q12-1701	COLLAR	58	G67-0501	O'RING
25	Q34-3401	BAIL ARM SCREW	59	Q37-5801	DRIVE GEAR
26	G19-5602	SCREW	60	375-8502	DRIVE GEAR WASHER
27	G19-5501	COLLAR	61	G46-7302	BALL BEARING
28	G22-0701	COLLAR	62	Q40-1301	SIDE COVER
29	J08-9901	LINE ROLLER	63	Q34-2701	SCREW
30	Q20-3401	COLLAR	64	Q34-2601	SCREW
31	Q13-9901	BAIL ASSEMBLY	65	Q40-1701	HANDLE ASSEMBLY
32	G83-7101	SCREW	66	G52-2706	BALL BEARING
33	Q13-9401	SEALED PLATE	67	G47-2401	BEARING RETAINER
34	Q30-8301	ROLLER CLUTCH	68	Q34-5101	HANDLE CAP