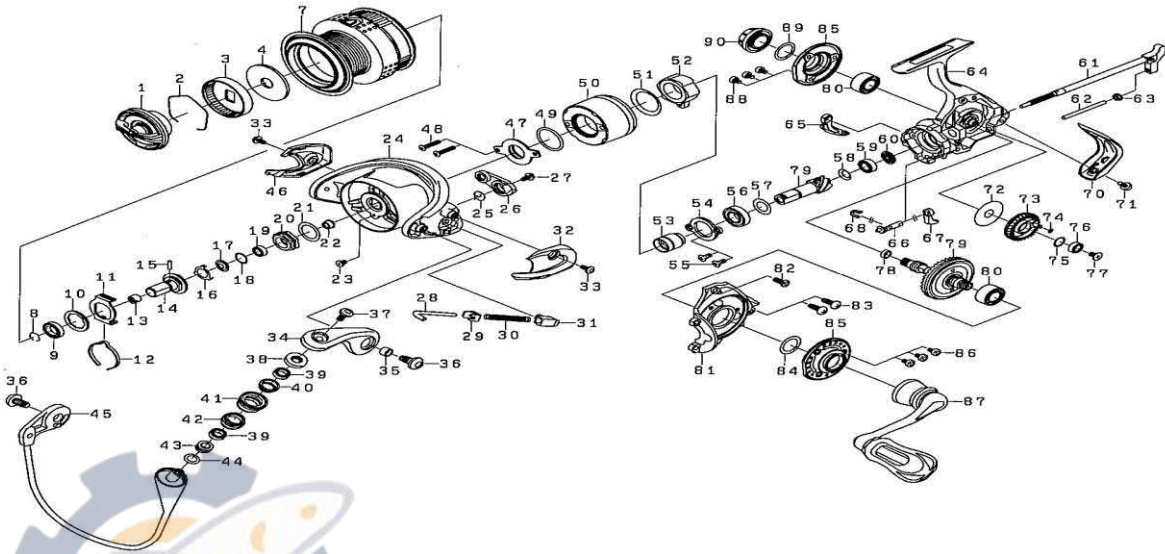


Please order by parts number, not key number
 Veuillez indiquer le numéro de la pièce (Non "Key" No.)

DAWA SPINNING REEL

EXIST1025



Key No.	Part No.	Part Name	Key No.	Part No.	Part Name
1	J15-5301	DRAG KNOB	47	H74-0901	MAGNET ASSEMBLY
2	F74-2501	RETAINER	48	H59-6502	SCREW
3	F90-8704	DRAG KNOB CLICK PLATE	49	H74-1401	O-RING
4	H80-6401	DRAG WASHER	50	J17-3001	COVER
2-7	J15-4801	SPOOL ASSEMBLY	51	H97-9201	WASHER
8	G47-2401	RETAINER	52	H41-2601	ROLLER CLUTCH
9	G81-8902	BALL BEARING	53	H74-0501	SPACING SLEEVE
10	H80-6300	WASHER	54	H73-9102	RETAINER
11	H41-6001	CLICK LEAF SPRING HOLDER	55	G99-7301	SCREW
12	H41-6101	SPOOL CLICK LEAF SPRING	56	H73-9702	BALL BEARING
13	J18-0801	SPOOL METAL NUT	57	375-8500	WASHER
14	H41-5901	SPOOL METAL	58	H81-4900	SPRING WASHER
15	G37-5001	PIN	59	H73-8902	BALL BEARING
16	G47-1501	RETAINER	60	H41-1201	COLLAR
17	H41-5701	PACKING	61	J17-9801	MAIN SHAFT
18	G46-6103	WASHER	62	H75-3601	OSCILLATING POST
19	G46-6205	BALL BEARING	63	H73-8801	COLLAR
20	H80-6201	ROTOR NUT	64	J15-4103	BODY
21	372-7601	WASHER	65	H75-4301	BAIL TRIP PLATE
22	H85-4701	COLLAR	66	H73-8201	ANTI-REVERSE CAM
23	H02-2701	SCREW	67	H41-0114	ANTI-REVERSE LEVER
24	H75-4604	ROTOR	68	H80-9201	A/R CAM LEAF SPRING
25	H44-3301	BAIL TRIP LEVER SPRING	70	H75-4501	REAR COVER
26	H75-4701	BAIL TRIP LEVER	71	H75-3301	SCREW
27	H41-7701	SCREW	72	H60-7902	WASHER
28	H75-4901	BAIL SPRING SHAFT	73	H44-1501	OSCILLATING GEAR
29	H57-6101	BAIL SPRING PLATE	74	G89-8301	O-RING
30	H44-2401	BAIL SPRING	75	H12-9200	WASHER
31	H41-4301	BAIL SPRING HOLDER	76	G46-9007	BALL BEARING
32	H75-5001	COVER (A)	77	G99-7001	SCREW
33	H74-1702	SCREW	78	G73-6201	RING
34	H74-2207	BAIL ARM	79	Z02-2079	PINION + DRIVE GEAR UNIT
35	H74-2301	COLLAR	80	J03-0301	BALL BEARING
36	H65-6102	SCREW	81	H75-4403	SIDE COVER
37	H74-4201	SCREW	82	H74-0201	SCREW
38	H74-4001	MAGNET ASSEMBLY	83	G99-7701	SCREW
39	G68-6903	BALL BEARING	84	G61-3400	WASHER
40	H74-3901	COLLAR	85	J15-4502	BEARING RETAINER
41	H74-3801	LINE ROLLER	86	H74-0301	SCREW
42	H74-3701	COLLAR	87	J15-4701	HANDLE ASSEMBLY
43	H74-3401	MAGNET ASSEMBLY	88	H74-0001	SCREW
44	B41-1700	WASHER	89	G39-9702	O-RING
45	H75-5101	BAIL ASSEMBLY	90	H74-5101	HANDLE SCREW CAP
46	H75-5501	COVER (B)			