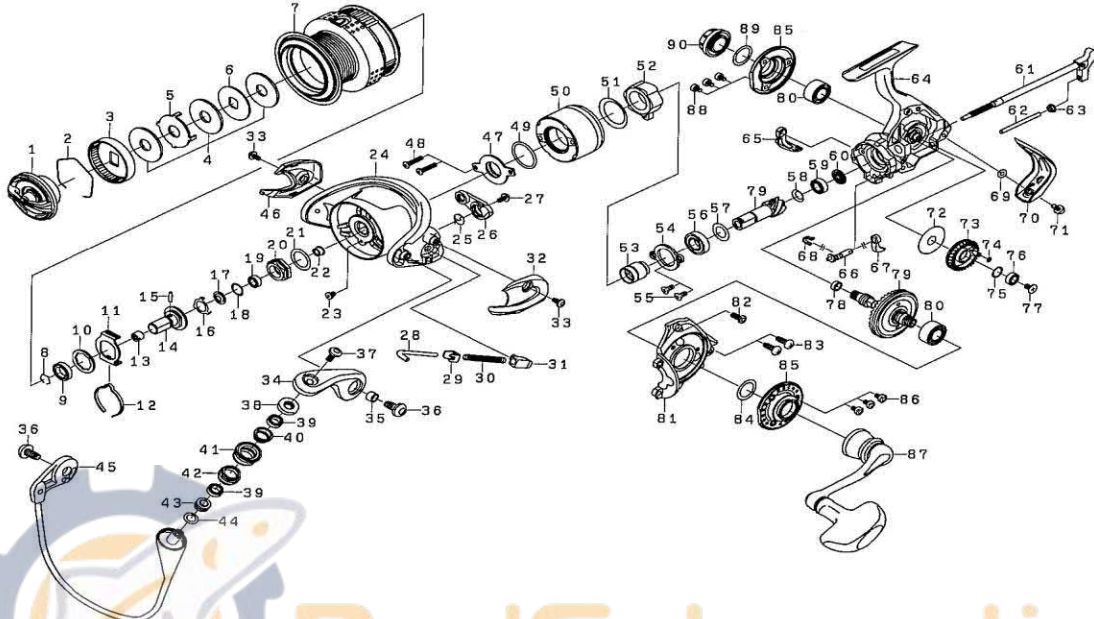


DAWA SPINNING REEL

EXIST 2510PE-H

Please order by parts number, not key number
Veuillez indiquer le numéro de la pièce (Non "Key" No.)



Key No.	Part No.	Part Name	Key No.	Part No.	Part Name
1	J15-7601	DRAG KNOB	46	H74-3301	COVER
2	F71-0001	RETAINER	47	H74-0901	MAGNET ASSEMBLY
3	F89-5307	DRAG KNOB CLICK PLT	48	H59-6502	SCREW
4	H80-6501	DRAG WASHER	49	H74-1401	O-RING
5	F63-5201	EARED WASHER	50	J17-3001	COVER
6	F63-5101	KEY WASHER	51	H97-9201	WASHER
2-7	J15-9501	SPOOL ASSEMBLY	52	H41-2601	ROLLER CLUTCH
8	G47-2401	RETAINER	53	H74-0501	SPACING SLEEVE
9	G81-8902	BALL BEARING	54	H73-9101	RETAINER
10	H80-6300	WASHER	55	G99-7301	SCREW
11	H41-6001	CLICK LEAF SPRING HOLDER	56	G27-9602	BALL BEARING
12	H41-6101	CLICK LEAF SPRING	57	375-8500	WASHER
13	J18-0801	SPOOL METAL NUT	58	H81-4900	SPRING WASHER
14	H41-5901	SPOOL METAL	59	H73-8902	BALL BEARING
15	G37-5001	PIN	60	H41-1201	COLLAR
16	G47-1501	RETAINER	61	J18-0201	MAIN SHAFT
17	H41-5701	PACKING	62	H73-8701	OSCILLATING POST
18	G46-6103	WASHER	63	H73-8801	COLLAR
19	G46-6205	BALL BEARING	64	J15-5909	BODY
20	H80-5801	ROTOR NUT	65	H73-7801	BAIL TRIP PLATE
21	371-2824	WASHER	66	H73-8201	ANTI-REVERSE CAM
22	H85-4801	COLLAR	67	H41-0114	ANTI-REVERSE LEVER
23	H02-2701	SCREW	68	H80-9201	A/R CAM LEAF SPRING
24	H74-1807	ROTOR	69	F35-2702	WASHER
25	H41-3601	BAIL TRIP LEVER SPRING	70	H74-1502	REAR COVER
26	H74-1901	BAIL TRIP LEVER	71	H74-1701	SCREW
27	H41-7701	SCREW	72	H60-7902	WASHER
28	H74-2101	BAIL SPRING SHAFT	73	H73-8301	OSCILLATING GEAR
29	H57-6101	BAIL SPRING PLATE	74	G68-3301	O-RING
30	H54-5701	BAIL SPRING	75	H12-9200	WASHER
31	H41-4301	BAIL SPRING HOLDER	76	G46-9007	BALL BEARING
32	H74-2501	COVER	77	G99-7001	SCREW
33	H74-1702	SCREW	78	H45-5601	RING
34	H74-2207	BAIL ARM	79	Z02-2092	PINION + DRIVE GEAR UNIT
35	H74-2301	COLLAR	80	J03-0301	BALL BEARING
36	H65-6102	SCREW	81	H74-0107	SIDE COVER
37	H74-4201	SCREW	82	H74-0201	SCREW
38	H74-4001	MAGNET ASSEMBLY	83	G99-7701	SCREW
39	G68-6903	BALL BEARING	84	G61-3400	WASHER
40	H74-3901	COLLAR	85	J15-6302	BEARING RETAINER
41	H74-3801	LINE ROLLER	86	H74-0301	SCREW
42	H74-3701	COLLAR	87	J16-4101	HANDLE
43	H74-3401	MAGNET ASSEMBLY	88	H74-0001	SCREW
44	B41-1700	WASHER	89	G39-9702	O-RING
45	H74-2701	BAIL ASSEMBLY	90	H74-5101	HANDLE SCREW CAP