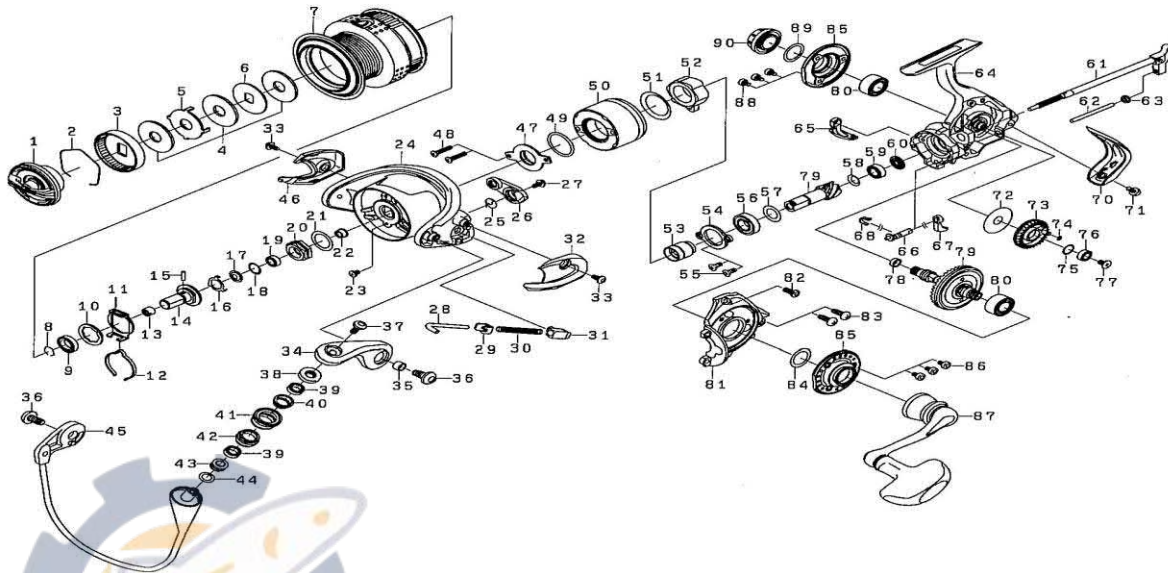


DAWA SPINNING REEL

EXIST 3012H

Please order by parts number, not key number
Veuillez indiquer le numéro de la pièce (Non "Key" No.)



Key No.	Part No.	Part Name	Key No.	Part No.	Part Name
1	J15-7601	DRAG KNOB	46	H78-0601	COVER
2	F71-0001	RETAINER	47	H74-0901	MAGNET ASSEMBLY
3	F89-5307	DRAG KNOB CLICK PLATE	48	H59-6502	SCREW
4	H80-6701	WASHER	49	H74-1401	O-RING
5	F62-7301	WASHER	50	J17-3001	COVER
6	F62-7201	WASHER	51	H97-9201	WASHER
2-7	J16-1301	SPOOL ASSEMBLY	52	H41-2601	ROLLER CLUTCH
8	G47-2401	RETAINER	53	H74-0501	CLUTCH RING
9	G81-8902	BALL BEARING	54	H73-9101	RETAINER
10	H80-6300	WASHER	55	G99-7301	SCREW
11	H41-6001	CLICK LEAF SPRING HOLDER	56	G27-9602	BALL BEARING
12	H41-6101	SPOOL CLICK LEAF SPRING	57	H41-1400	WASHER
13	J18-0801	SPOOL METAL NUT	58	G57-2500	WASHER
14	J18-1401	SPOOL METAL	59	G46-7101	BALL BEARING
15	G37-5001	PIN	60	H45-9401	COLLAR
16	G47-1501	RETAINER	61	J18-0601	MAIN SHAFT
17	H46-1201	PACKING	62	H77-8701	PILLAR
18	G46-6103	WASHER	63	H77-8801	COLLAR
19	G46-6205	BALL BEARING	64	J15-9804	BODY
20	H80-5801	NUT	65	H73-7801	BAIL TRIP PLATE
21	371-2824	WASHER	66	H73-8201	ANTI-REVERSE CAM
22	H85-4901	COLLAR	67	H41-0114	ANTI-REVERSE LEVER
23	H02-2701	SCREW	68	H80-9201	A/R CAM LEAF SPRING
24	H77-9705	ROTOR	70	H77-9602	CAP
25	H41-3601	BAIL TRIP LEVER SPRING	71	H75-3301	SCREW
26	H77-9801	KICK LEVER	72	H54-5402	WASHER
27	H41-7701	SCREW	73	H45-8902	OSCILLATING GEAR
28	H78-0001	SHAFT	74	G86-9601	O-RING
29	H57-6101	BAIL SPRING PLATE	75	G46-6100	WASHER
30	H41-4201	SPRING	76	G46-6205	BALL BEARING
31	H41-4301	BAIL SPRING HOLDER	77	G99-7001	SCREW
32	H78-0101	COVER	78	H45-9901	RING
33	H74-1702	SCREW	79	Z02-2112	PINION + DRIVE GEAR UNIT
34	H74-2207	BAIL ARM	80	J03-0301	BALL BEARING
35	H74-2301	COLLAR	81	H77-9504	SIDE COVER
36	H65-6102	SCREW	82	H74-0201	SCREW
37	H74-4201	SCREW	83	G99-7701	SCREW
38	H74-4001	MAGNET ASSEMBLY	84	G61-3400	WASHER
39	G68-6903	BALL BEARING	85	J16-0202	SCREW
40	H74-3901	COLLAR	86	H74-0301	SCREW
41	H74-3801	LINE ROLLER	87	J16-4201	HANDLE
42	H74-3701	COLLAR	88	H74-0001	SCREW
43	H74-3401	MAGNET ASSEMBLY	89	G39-9702	O-RING
44	B41-1700	WASHER	90	H74-5101	HANDLE SCREW CAP
45	H78-0201	BAIL ASSEMBLY			