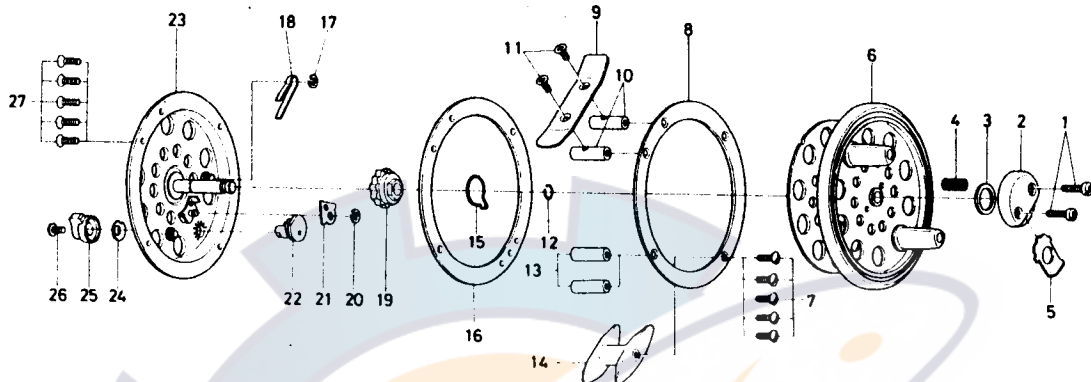


FLY REEL

734



UP TO AND INCLUDING AFTMA 9 LINE

Key No.	Parts No.	Parts Name	Key No.	Parts No.	Parts Name
1	63530001	Cover screw	15	61442901	Friction spring
2	61304701	Cover	16	61711701	Body ring
3	63753801	Cover washer	17	63207601	Click spring retainer
4	61441801	Spool stopper spring	18	61515701	Click spring
5	65413401	Spool stopper	19	67504101	Click gear assembly
6	67318901	Spool	20	63205901	Click claw retainer
7	63533501	Screw	21	60305201	Click claw
8	65603801	Ring	22	64613801	Cam
9	66103401	Stand	23	67062201	Body assembly
10	60506401	Stand pillar	24	61515301	Click lever washer
11	63533601	Stand screw	25	65413501	Click lever
12	63208901	Click gear retainer	26	63522501	Click lever screw
13	60506501	Pillar	27	63533501	Screw
14	63101201	Line guard			

Sold as 1 unit
(67318801)

Sold as 1 unit
(67814901)