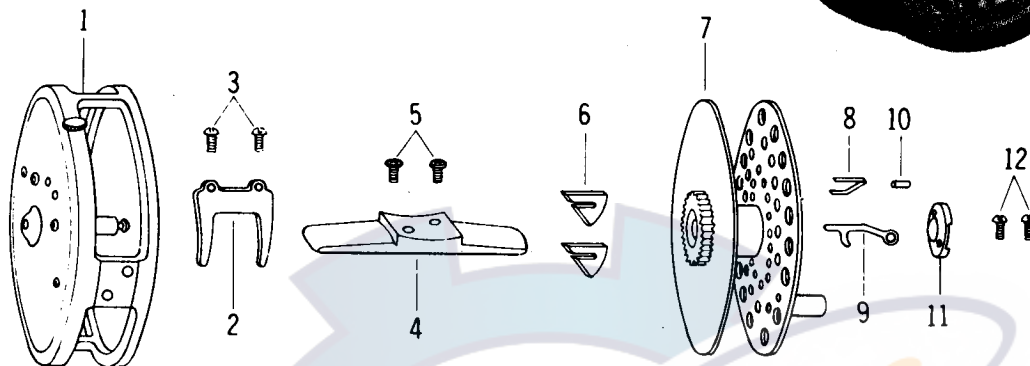
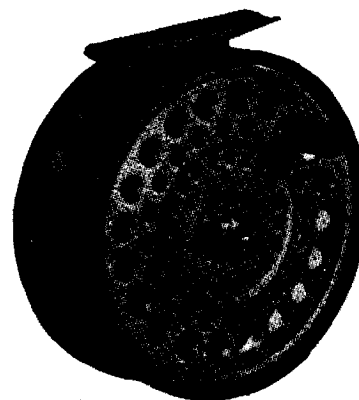




# FLY REEL 740 720 710 700



## LINE CAPACITY: 30 LBS., No.10WT. FLY LINE

Model 740			
Key No.	Parts No.	Parts Name	Price
1	6F 740001	Body	\$ 4.50
2	6F 740002	Line guide	1.50
3	6F 700003	Line guide screw (2 pcs.)	.50
4	6F 700004	Stand	.75
5	6F 700005	Stand screw (2 pcs.)	.50
6	6F 700006	Click (2 pcs.)	.50
7	6F 740007	Spool	
8	6F 700008	Stopper spring	
9	6F 700009	Spool stopper	Sold (6F 740012)
10	6F 700010	Stopper pin	as One 5.00
11	6F 700011	Stopper cover	Unit
12	6F 700003	Stopper cover screw	(2 pcs.)

## LINE CAPACITY: 30 LBS., No.9 WT. FLY LINE

Model 720			
Key No.	Parts No.	Parts Name	Price
1	6F 720001	Body	\$ 4.25
2	6F 700002	Line guide	1.25
3	6F 700003	Line guide screw (2 pcs.)	.50
4	6F 700004	Stand	.75
5	6F 700005	Stand screw (2 pcs.)	.50
6	6F 700006	Click (2 pcs.)	.50
7	6F 720007	Spool	
8	6F 700008	Stopper spring	
9	6F 700009	Spool stopper	Sold (6F 720012)
10	6F 700010	Stopper pin	as One 4.50
11	6F 700011	Stopper cover	Unit
12	6F 700003	Stopper cover screw	(2 pcs.)

## LINE CAPACITY: 30 LBS., No.7 WT. FLY LINE

Model 710			
Key No.	Parts No.	Parts Name	Price
1	6F 710001	Body	\$ 3.75
2	6F 700002	Line guide	1.25
3	6F 700003	Line guide screw (2 pcs.)	.50
4	6F 700004	Stand	.75
5	6F 700005	Stand screw (2 pcs.)	.50
6	6F 700006	Click (2 pcs.)	.50
7	6F 710007	Spool	
8	6F 700008	Stopper spring	
9	6F 700009	Spool stopper	Sold (6F 710012)
10	6F 700010	Stopper pin	as One 4.25
11	6F 700011	Stopper cover	Unit
12	6F 700003	Stopper cover screw	(2 pcs.)

## LINE CAPACITY: 30 LBS., No.6 WT. FLY LINE

Model 700			
Key No.	Parts No.	Parts Name	Price
1	6F 700001	Body	\$ 3.25
2	6F 700002	Line guide	1.25
3	6F 700003	Line guide screw (2 pcs.)	.50
4	6F 700004	Stand	.75
5	6F 700005	Stand screw (2 pcs.)	.50
6	6F 700006	Click (2 pcs.)	.50
7	6F 700007	Spool	
8	6F 700008	Stopper spring	
9	6F 700009	Spool stopper	Sold (6F 700012)
10	6F 700010	Stopper pin	as One 4.00
11	6F 700011	Stopper cover	Unit
12	6F 700003	Stopper cover screw	(2 pcs.)

ALWAYS SPECIFY MODEL NO., PART NAME & PARTS NO. WHEN ORDERING PARTS  
PLEASE ENCLOSE CORRECT AMOUNT FOR PART'S PRICE WHEN ORDERING