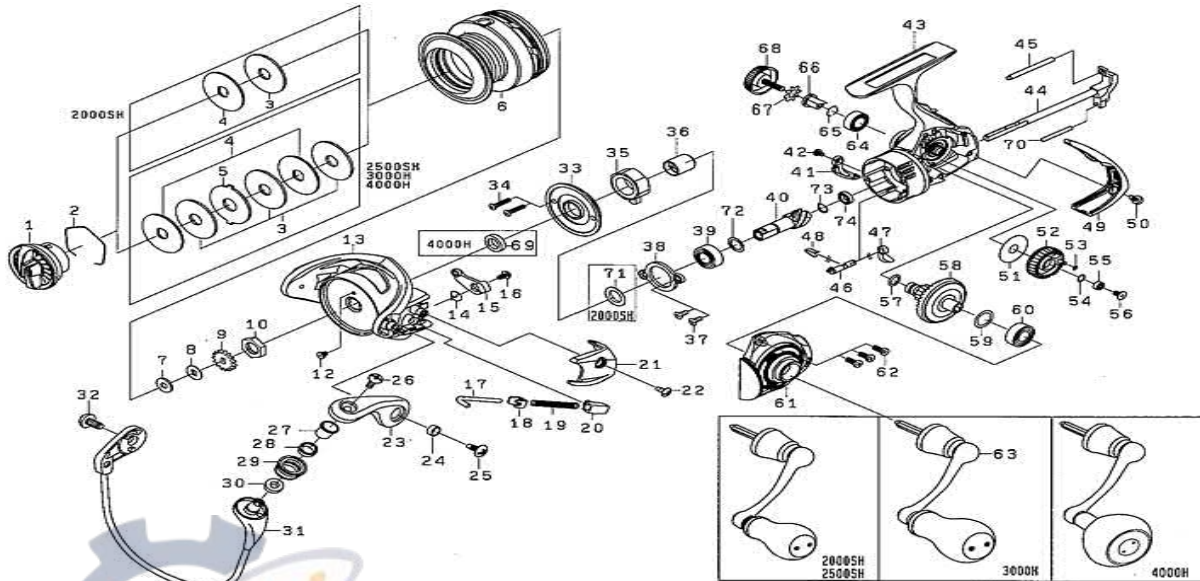




SPINNING REEL FUEGO 2000-2500SH/3000-4000H

Please order by parts number, not key number
 Veuillez indiquer le numéro de la pièce (Non "Key" No.)



Key No.	Part Name	FUEGO 2000SH	FUEGO 2500SH	FUEGO3000H	FUEGO4000H
1	DRAG KNOB	J11-1301	J11-2101	J11-2101	J11-3701
2	DRAG WASHER RET	F88-4001	F88-4001	F88-4001	F88-4001
3	DRAG WASHER	F69-1001	F69-1001	F69-1001	F69-1001
4	KEY WASHER	G70-0601	G70-0601	G70-0601	G70-0601
5	EARED WASHER	G70-0701	G70-0701	G70-0701	G70-0701
2-6	SPOOL ASSEMBLY	J29-8401	J29-8701	J29-9301	J29-9901
7	WASHER	E39-8000	E39-8000	E39-8000	E39-8000
8	WASHER	E46-7101	E46-7101	E46-7101	E46-7101
9	CLICK GEAR	G83-9301	G83-9301	G83-9301	G83-9301
10	ROTOR NUT	J00-1901	J00-1901	J00-1901	J02-1601
12	SCREW	H02-2701	H02-2701	H02-2701	H02-2701
13	ROTOR	H97-4316	H96-0020	H98-6316	H99-4316
14	BAIL TRIP LEVER SPRING	H44-3301	H41-3601	H41-3601	H41-3601
15	BAIL TRIP LEVER	H44-3401	J03-8501	J07-2301	H99-4401
16	SCREW (B)	H41-7701	H41-7701	H41-7701	H41-7701
17	BAIL SPRING SHAFT	H44-3601	H41-4101	H57-2001	H64-0601
18	BAIL SPRING PLT	H57-6101	H57-6101	H57-6101	H57-6101
19	BAIL SPRING	H44-2401	H54-5701	J08-9301	H64-0701
20	BAIL SPRING HOLDER	H41-4301	H41-4301	J08-9401	J08-9401
21	COVER (A)	H97-4401	H96-0201	H98-6401	H99-4601
22	SCREW	G27-0801	G27-0801	G27-0801	G27-0801
23	BAIL ARM	H72-8920	H72-8920	H72-8920	H72-8920
24	COLLAR (A)	H96-2401	H96-2401	H96-2401	H96-2401
25	SCREW	G20-5001	G20-5001	G20-5001	G20-5001
26	SCREW	G19-5602	G19-5602	G19-5602	G19-5602
27	COLLAR (B)	G19-5501	G19-5501	G19-5501	G19-5501
28	COLLAR	G22-0701	G22-0701	G22-0701	G22-0701
29	LINE ROLLER	J08-9901	J08-9901	J08-9901	J08-9901
30	COLLAR	G87-4201	G87-4201	G87-4201	G87-4201
31	BAIL ASSEMBLY	J09-3501	J09-6801	J09-4301	J09-4401
32	SCREW	G20-5001	G20-5001	G20-5001	G20-5001
33	COVER	J02-2701	J00-1501	J01-3401	J02-1401
34	SCREW	J00-1801	J00-1801	J00-1801	J00-1801
35	ROLLER CLUTCH	H99-2901	H99-2901	H99-2901	J01-5701
36	SPACIN SLEEVE	J00-1401	J00-1401	J00-1401	J02-1301
37	SCREW	J00-0901	J00-0901	J00-0901	J00-0901
38	BEARING RET	H44-2201	H44-2201	H41-1501	J02-0801
39	BALL BEARING	G46-7305	G46-7305	G53-5105	G52-2801
40+58	PINION +DRIVE GEAR UNIT	Z02-1953	Z02-1953	Z02-1954	Z02-1955
41	BAIL TRIP PLT	J02-2601	J00-1101	J00-1101	J02-1001
42	SCREW	G94-0402	G94-0402	G94-0402	G94-0402
43	BODY	J29-8001	J29-8001	J29-8901	J29-9501
44	MAIN SHAFT	J02-2401	J00-0701	J01-2801	J02-0601
45	STABILIZER BAR	H61-4301	H61-4301	H61-4301	H61-4301
46	A/R CAM	H59-5501	H59-5501	H59-5501	J02-0501
47	A/R LEVER	H59-5401	H59-5401	H59-5401	H59-5401
48	A/R CAM SPRING	H69-7801	H69-7801	H69-7801	H69-7801
49	REAR COVER	J00-1701	J00-1701	J01-3501	J02-1501
50	SCREW	J00-1801	J00-1801	J00-1801	J00-1801
51	WASHER	H59-5701	H59-5701	H59-5701	G84-4201
52	OSC GEAR	H76-8401	H72-7901	H61-3901	G84-4302
53	O-RING (A)	H77-0601	H77-0601	G46-6001	B85-3101
54	WASHER	H12-9200	H12-9200	H12-9200	G52-2100
55	BALL BEARING	G46-9005	G46-9005	G46-9005	G46-7105
56	SCREW	G94-0402	G94-0402	G94-0402	H27-2202
57	O-RING	G67-0501	G67-0501	G67-0501	G64-5301
59	DRIVE GEAR WASHER	375-8500	375-8500	375-8500	373-7800
60	BALL BEARING	G46-7302	G46-7302	G46-7302	G52-3405
61	SIDE COVER	J29-8201	J29-8201	J29-9101	J29-9701
62	SCREW	G33-2904	G33-2904	G33-2904	G33-2904
63	HANDLE ASSEMBLY	J29-8301	J29-8601	J29-9201	J29-9801
64	BALL BEARING	G52-2703	G52-2703	G52-2703	B86-1704
65	BEARING RET	G47-2401	G47-2401	G47-2401	G52-5101
66	HANDLE COLLAR	F72-1001	F72-1001	F72-1001	F72-1202
67	LOCK WASHER	160-8401	160-8401	160-8401	160-8101
68	HANDLE SCREW	H61-3302	H61-3302	H61-3302	H64-1802
69	COLLAR				H64-0301
70	STABILIZER BAR	J08-4801	J08-4801	J08-4802	J08-4803
71	WASHER	375-8501			
72	WASHER	375-8500	375-8500	375-8500	371-2800
73	SPRING WASHER	H93-1701	H93-1701	H93-1701	G57-2501
74	BALL BEARING	H95-9601	H95-9601	G46-6202	G46-7102