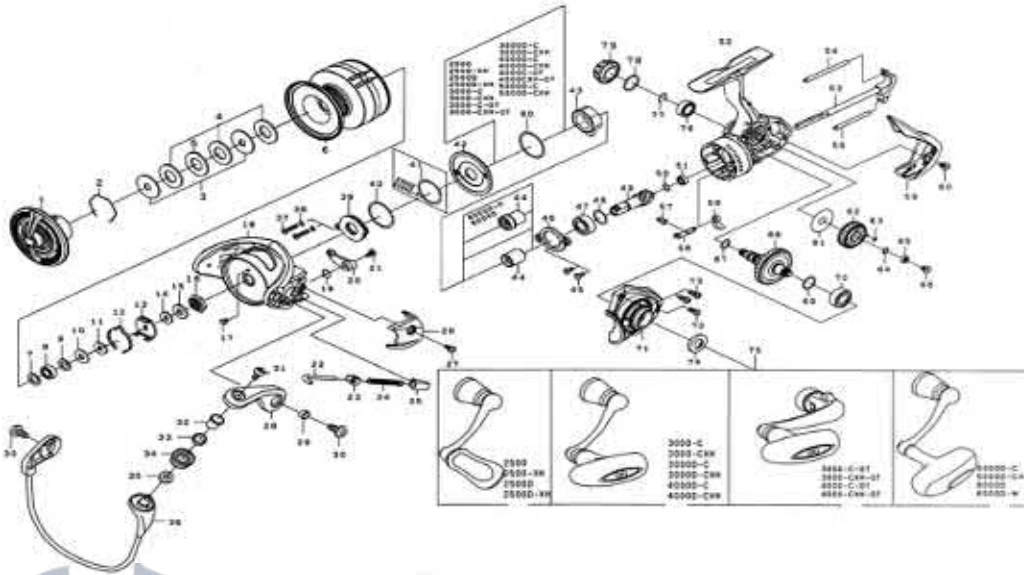




Please order by parts number, not key number  
 Veuillez indiquer le numéro de la pièce (Non "Key" No.)

# SPINNING REEL FGLT2500D/2500D-XH/3000-4000D-C



Key No.	Part Name	FGLT2500D Part No.	FGLT2500D-XH Part No.	FGLT3000D-C Part No.	FGLT4000D-C Part No.
1	DRAG KNOB	Q34-6201	Q34-6201	Q34-6201	Q35-2901
2	DRAG RETAINER	Q34-6101	Q34-6101	Q34-6101	Q34-6101
3	DRAG DISC WASHER	J54-7001	J54-7001	J54-7001	J54-7001
4	ATD WASHER (3 PCS)	J67-8801	J67-8801	J67-8801	J67-8801
5	KEY WASHER	Q34-6001	Q34-6001	Q34-6001	Q34-6001
2-6	SPOOL ASSEMBLY	Q38-2801	Q38-3201	Q38-3501	Q39-5501
7	SPOOL BEARING (A)	Q38-2701	Q38-2701	Q38-2701	Q38-2701
8	SPOOL BEARING	E33-2501	E33-2501	E33-2501	E33-2501
9	SPOOL WASHER (B)	B41-1706	B41-1706	B41-1706	B41-1706
10	SPOOL WASHER (C)	E39-8003	E39-8003	E39-8003	E39-8003
11	SPOOL WASHER (D)	Q34-8502	Q34-8502	Q34-8502	Q34-8502
12	CLICK LEAF SPRING	J52-5101	J52-5101	J52-5101	J52-5101
13	CLICK LEAF SPRING HOLDER	J54-6201	J54-6201	J54-6201	J54-6201
14	CLICK LEAF SPRING HOLDER WASHER	Q34-3001	Q34-3001	Q34-4001	Q34-4001
15	ROTOR NUT PACKING	H98-6901	H98-6901	H98-6901	H98-6901
16	ROTOR NUT	Q17-7001	Q17-7001	Q17-7001	Q17-7001
17	ROTOR NUT SCREW	H02-2701	H02-2701	H02-2701	H02-2701
18	ROTOR	Q34-3002	Q34-3002	Q12-0513	Q35-1802
19	BAIL KICK LEVER SPRING	H41-3601	H41-3601	H41-3601	H41-3601
20	BAIL KICK LEVER	Q34-3101	Q34-3101	Q12-0701	Q35-1901
21	KICK LEVER SCREW	H41-7701	H41-7701	H41-7701	H41-7701
22	BAIL ARM LEVER SHAFT	Q34-3301	Q34-3301	Q12-1201	Q12-9501
23	BAIL ARM LEVER SHAFT PLATE	H57-6101	H57-6101	H57-6101	H57-6101
24	BAIL ARM LEVER SHAFT SPRING	J64-2801	J64-2801	H54-5701	H41-4201
25	BAIL ARM LEVER SPRING HOLDER	Q12-1501	Q12-1501	Q12-1501	Q12-1501
26	BAIL SPRING COVER	Q34-3501	Q34-3501	Q12-1801	Q35-2101
27	BAIL SPRING COVER SCREW	Q34-2901	Q34-2901	Q34-2901	Q34-2901
28	BAIL ARM LEVER	Q12-1607	Q12-1607	Q12-1607	Q12-1607
29	BAIL ARM LEVER COLLAR	Q12-1701	Q12-1701	Q12-1701	Q12-1701
30	BAIL ARM LEVER SCREW	Q34-3401	Q34-3401	Q34-3401	Q34-3401
31	LINE ROLLER SCREW	G19-5602	G19-5602	G19-5602	G19-5602
32	LINE ROLLER COLLAR (A)	G19-5501	G19-5501	G19-5501	G19-5501
33	LINE ROLLER COLLAR (B)	G22-701	G22-0701	G22-0701	G22-0701
34	LINE ROLLER	J08-9901	J08-9901	J08-9901	J08-9901
35	LINE ROLLER COLLAR (C)	Q20-3401	Q20-3401	Q20-3401	Q20-3401
36	BAIL ASSEMBLY	Q34-3601	Q34-3601	Q12-1901	H69-7801
37	MAGSEALED PLATE SCREW	G83-7101	G83-7101	G83-7101	G83-7101
38	MAGSEALED PLATE SCREW WASHER	375-4102	375-4102	375-4102	375-4102
39	MAGSEALED PLATE	J68-8201	J68-8201	J68-8201	J68-8201
40	MAGSEALED PLATE O-RING	J35-4801	J35-4801	J35-4801	J35-4801
41					
42	MAGSEALED CAP	Q26-6601	Q26-6601	Q26-6601	Q26-6601
43	ROTOR CLUTCH	J38-8401	J38-8401	J38-8401	J38-8401
44	CLUTCH RING	J00-1403	J00-1403	J00-1403	J00-1403
45	PINION GEAR BB PLATE SCREW	Q12-6201	Q12-6201	Q12-6201	Q12-6201
46	PINION BEARING PLATE	Q19-5601	Q19-5601	Q19-5601	Q19-5601
47	PINION GEAR BALL BEARING (A)	G46-7302	G46-7302	G46-7302	G53-5104
48	PINION GEAR BB (A) WASHER	375-8500	375-8500	375-8500	375-8500
49	PINION GEAR	Q34-1701	Q36-0301	Q34-1701	Q35-1201
50	PINION SPRING WASHER	H93-1701	H93-1701	H93-1701	H93-1701
51	PINION BALL BEARING (B)	H95-9601	H95-9601	H95-9601	G46-6202
52	BODY	Q38-2401	Q38-2401	Q38-2401	Q39-5201
53	MAIN SHAFT	Q34-1501	Q34-1501	Q34-1501	Q35-1001
54	STABILIZER BAR	Q12-6301	Q12-6301	Q12-6301	Q12-6302
55	OSC SUPPORT POST	Q11-9101	Q11-9101	Q11-9101	Q11-9101
56	A/R CAM	Q11-8101	Q11-8101	Q11-8101	Q11-8101
57	A/R CAM SPRING	H69-7801	H69-7801	H69-7801	H69-7801
58	A/R CAM LEVER	Q11-8001	Q11-8001	Q11-8001	Q11-8001
59	REAR COVER	Q34-2801	Q34-2801	Q34-2801	Q35-1701
60	REAR COVER SCREW	Q34-2901	Q34-2901	Q34-2901	Q34-2901
61	OSC GEAR WASHER	H59-5701	H59-5701	H59-5701	H59-5701
62	OSCILLATING GEAR	Q13-9001	Q13-9001	Q11-8401	Q35-0901
63	OSC GEAR O-RING	H77-0601	H77-0601	H77-0601	G46-6001
64	OSC GEAR BEARING WASHER	H12-9200	H12-9200	H12-9200	H12-9200
65	OSC GEAR BALL BEARING	G46-9005	G46-9005	G46-9005	G46-9005
66	OSC GEAR SCREW	Q12-6101	Q12-6101	Q12-6101	Q12-6101
67	DRIVE GEAR O-RING	G67-0501	G67-0501	G67-0501	G67-0501
68	DRIVE GEAR	Q34-1801	Q36-0401	Q34-1801	Q35-1301
69	DRIVE GEAR WASHER	375-8500	375-8500	375-8500	375-8500
70	DRIVE GEAR BALL BEARING	G46-7302	G46-7302	G46-7302	G46-7302
71	BODY COVER	Q38-2601	Q38-2601	Q38-2601	Q39-5401
72	BODY COVER SCREW	Q34-2701	Q34-2701	Q34-2701	Q34-2701
73	BODY COVER SCREW	Q34-2601	Q34-2601	Q34-2601	Q34-2601
74	HANDLE PACKING	J10-0201	J10-0201	J10-0201	J10-0201
75	HANDLE ASSEMBLY	Q38-3001	Q38-3001	Q38-3701	Q39-6701
76	DRIVE GEAR BALL BEARING	G52-2706	G52-2706	G52-2706	G52-2706
77	DRIVE GEAR BALL BEARING RETAINER	G47-2401	G47-2401	G47-2401	G47-2401
78	HANDLE CAP O-RING	G16-2401	G16-2401	G16-2401	G16-2401
79	HANDLE CAP	Q34-5101	Q34-5101	Q34-5101	Q34-5101
80	ROLLER CLUTCH WASHER	J63-9900	J63-9900	J63-9900	J63-9900