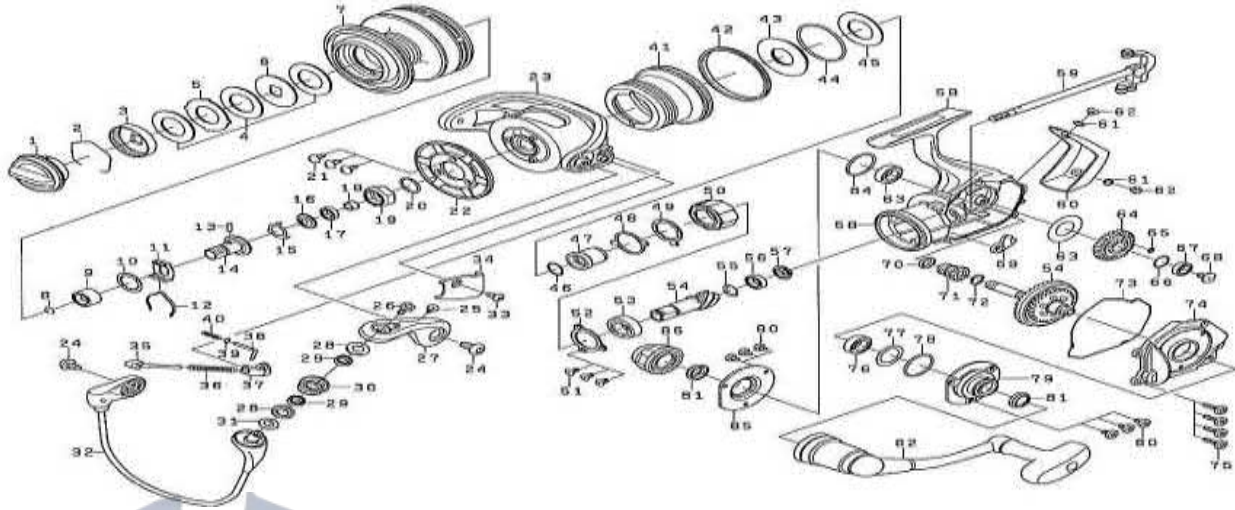




SPINNING REEL

ISLA 4000H

Please order by parts number, not key number
 Veuillez indiquer le numéro de la pièce (Non "Key" No.)



KEY NO.	PART NO.	PART NAME	KEY NO.	PART NO.	PART NAME
1	H77-5501	DRAG KNOB	44	H45-2801	"O" RING (B)
2	F71-0001	DRAG WASHER RETAINER	45	H61-9201	WASHER (D)
3	F89-5305	DRAG KNOB CLICK PLATE	46	H62-0101	"O" RING (C)
4	H24-7202	DRAG WASHER	47	H61-9101	CLUTCH RING
5	G16-5903	EARED WASHER	48	H69-0201	CLUTCH CAM RETAINER
6	F64-4702	KEY WASHER	49	H62-4501	CLUTCH CAM
2-7	H93-6301	SPOOL ASSEMBLY	50	G31-4501	ROLLER CLUTCH
8	G52-5101	RING (A)	51	E13-4508	SCREW(F)
9	H77-4501	COLLAR (A)	52	G52-2901	BEARING RETAINER
10	G90-3900	WASHER (A)	53	G52-2802	BALL BEARING(C)
11	G69-4001	CLICK LEAF SPRING HOLDER	54	Z02-0412	PINION GEAR+DRIVE GEAR SET
12	H73-7101	SPOOL CLICK LEAF SPRING	55	G57-8502	SPRING WASHER
13	F64-3601	PIN	56	G52-2702	BALL BEARING(D)
14	H62-1701	SPOOL METAL	57	H61-8001	COLLAR (D)
15	G52-4801	BEARING RET	58	H77-2602	BODY
16	H62-1501	PACKING(A)	59	H61-7702	MAIN SHAFT
17	G21-2502	BALL BEARING(A)	60	H77-2801	REAR COVER
18	H62-1301	COLLAR (B)	61	E09-6505	WASHER (E)
19	H62-1401	ROTOR NUT	62	H79-8201	SCREW(G)
20	G16-2401	"O" RING (A)	63	H61-7301	WASHER (F)
21	H41-7701	SCREW(A)	64	H61-7401	OSCILLATING GEAR
22	H62-1601	COLLAR (C)	65	B85-3101	"O" RING (D)
23	H62-0201	ROTOR	66	G52-2100	WASHER (G)
24	H50-3701	SCREW(B)	67	G46-7102	BALL BEARING(E)
25	H63-8402	SCREW(C)	68	H27-2202	SCREW(H)
26	H50-4701	SCREW(D)	69	H61-8601	ANTI-REVERSE PAWL
27	H62-0604	BAIL ARM	70	H61-7601	RING(C)
28	G16-2001	LINE ROLLER BUSHING	71	H61-7501	OSCILLATING PINION GEAR
29	G37-0905	BALL BEARING(B)	72	G16-3001	"O" RING (E)
30	H62-1202	LINE ROLLER	73	H61-8901	PACKING(C)
31	E09-6500	WASHER (B)	74	H61-8804	SIDE COVER
32	H62-0802	BAIL ASSEMBLY	75	H43-1001	SCREW(I)
33	H50-3901	SCREW(E)	76	G52-3401	BALL BEARING(F)
34	H62-0702	COVER(A)	77	G52-9500	WASHER (H)
35	G01-7503	BAIL SPRING SHAFT(A)	78	H61-7001	"O" RING (F)
36	H73-6301	BAIL SPRING(A)	79	H77-5103	DRIVE BEARING RETAINER(A)
37	H62-0501	BAIL SPRING HOLDER	80	H40-1101	SCREW(J)
38	H62-0301	BAIL SPRING SHAFT(B)	81	H77-0901	PACKING(D)
39	G68-5401	WASHER (C)	82	H93-6101	HANDLE ASSEMBLY
40	H62-0401	BAIL SPRING(B)	83	G52-3401	BALL BEARING(G)
41	H61-9701	COVER(B)	84	H61-7001	"O" RING (G)
42	H61-9801	RING (B)	85	H77-2703	DRIVE BEARING RETAINER(B)
43	H61-9301	MAGNET	86	H77-5201	HANDLE SCREW CAP