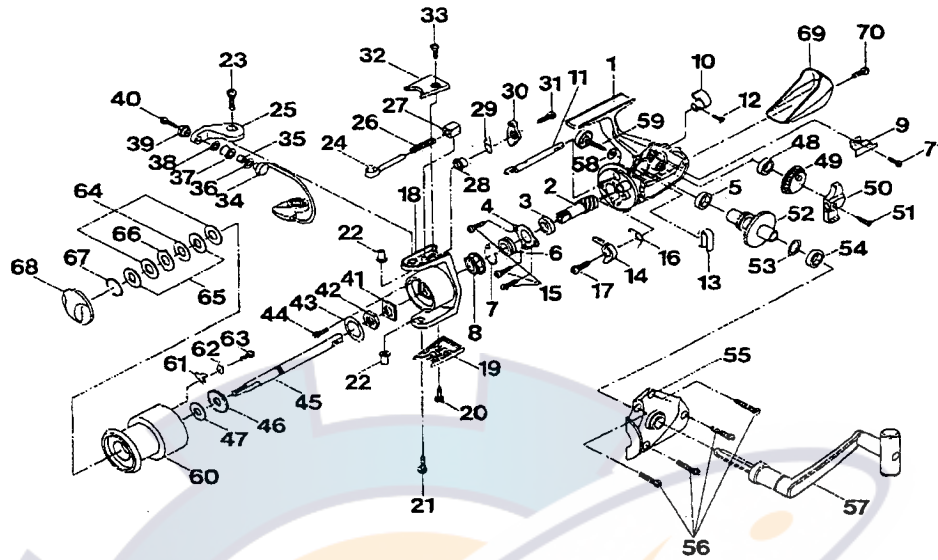


# JUPITER-S5500 / 6000



Key No.	Parts No.	Parts Name	Key No.	Parts No.	Parts Name
1	W30-4702	BODY	41	W30-8201	ROTOR NUT HOLD PLT
2	W30-8801	PINION GEAR	42	W30-8701	ROTOR NUT
3	W30-1501	BALL BEARING	43	W30-6501	ROTOR NUT WASHER
4	W30-1601	BEARING RET	44	W30-6301	ROTOR NUT LOCK SCREW
5	W30-3701	BODY COLLAR	45	W30-6601	MAIN SHAFT
6	W30-7801	SPRING HOLDER	46	W30-2001	CLICK GEAR
7	W30-7701	A/R PAWL SPRING B	47	W30-6801	SPOOL WASHER
8	W30-7601	A/R RATCHET	48	W30-5601	OSC GEAR COLLAR
9	W30-5001	OSC SLIDER HOLDING PLT	49	W30-5501	OSC GEAR
10	W30-7002	A/R LEVER	50	W30-5201	OSC SLIDER
11	W30-7901	A/R CAM	51	W30-5101	OSC SLIDER SCREW
12	W30-8101	A/R LEVER SCREW	52	W30-3301	DRIVE GEAR
13	W30-7201	A/R CAM SPRING	53	W30-4301	DRIVE GEAR WASHER
14	W30-7301	A/R PAWL	54	W30-4101	SIDE COVER BUSHING
15	W30-9501	BEARING RET SCREW	55	W30-2402	SIDE COVER
16	W30-7501	A/R PAWL SPRING	56	W30-2601	SIDE COVER SCREW
17	W30-7401	A/R PAWL SCREW	57	W30-2902	HANDLE
18	W30-8502	ROTOR	58	W30-6401	HANDLE LOCK SCREW WASHER
19	W31-1202	BAIL TRIP COVER	59	W30-3002	HANDLE LOCK SCREW
20	W30-2701	BAIL TRIP COVER SCREW	60	W31-0301	SPOOL
21	W31-1001	BAIL HOLDER SCREW	61	W30-1901	CLICK PAWL
22	W30-1801	BAIL HOLDER COLLAR	62	W30-2101	CLICK SPRING
23	W30-1701	BAIL ARM SCREW	63	W30-2201	CLICK PAWL SCREW
24	W31-2201	BAIL SPRING SHAFT	64	W30-3201	DRAG WASHER
25	W30-1002	BAIL ARM	65	W30-4801	KEY WASHER
26	W30-9101	BAIL SPRING	66	W30-4501	EARED WASHER
27	W31-2301	BAIL SPRING HOLDER	67	W30-9601	DRAG WASHER RET
28	W31-2001	BAIL TRIP LEVER COLLAR	68	W30-3102	DRAG KNOB
29	W31-1701	BAIL TRIP LEVER SPRING	69	W30-9302	REAR COVER
30	W31-2501	BAIL TRIP LEVER	70	W30-9401	REAR COVER SCREW
31	W31-1601	BAIL TRIP LEVER SCREW	71	W30-4901	OSC SLIDER HOLD PLT SCREW
32	W30-1202	BAIL SPRING COVER			
33	W30-2701	BAIL SPRING COVER SCREW			
34	W30-0601	BAIL			
35	W30-5901	LINE ROLLER COLLAR			
36	W30-6101	LINE ROLLER WASHER A			
37	W30-6901	LINE ROLLER			
38	W30-6201	LINE ROLLER WASHER B			
39	W31-2401	BAIL ARM COLLAR			
40	W30-5801	LINE ROLLER SCREW			

J-S6000 Special Parts		
Key No.	Parts No.	Parts Name
18	W30-8602	ROTOR
30	W31-1401	BAIL TRIP LEVER
32	W30-1102	BAIL SPRING COVER
34	W30-0801	BAIL
60	W31-0401	SPOOL