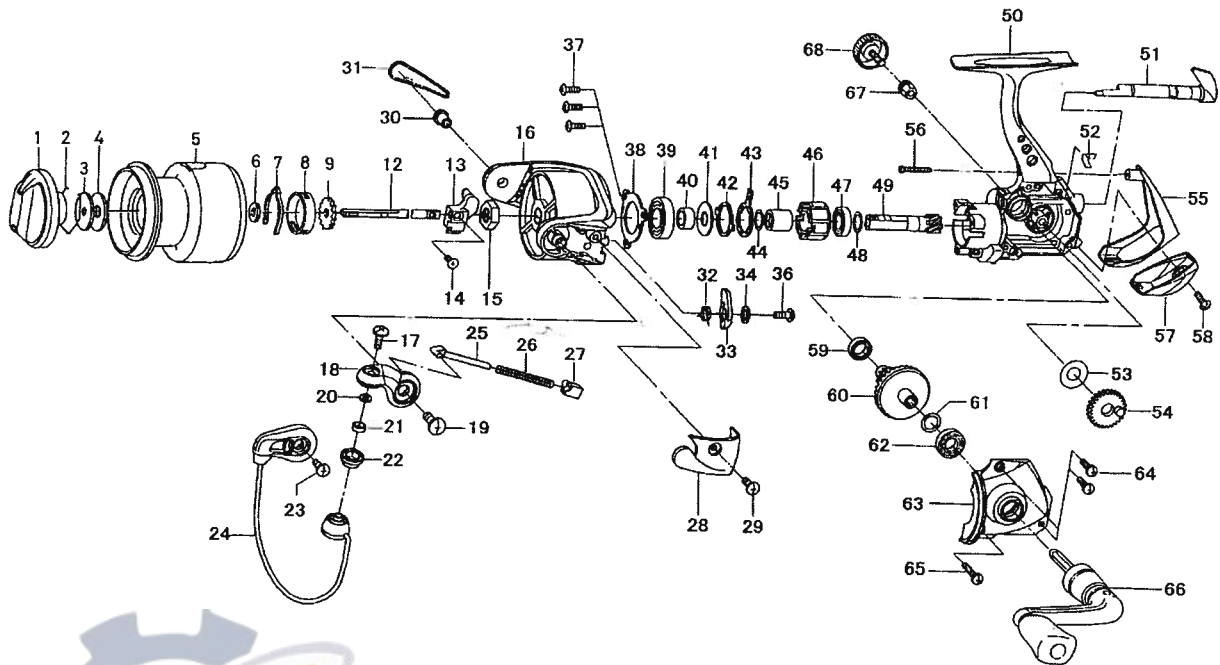


**KASTOR 1500 / 2000**



Key No.	Parts No.	Parts Name
1	G36-9201	DRAG KNOB
2	F37-3301	DRAG WASHER RET
3	E46-7201	KEY WASHER
4	E13-6001	DRAG WASHER
2-5	G36-9001	SPOOL
2-5	G38-3801	SPOOL (EXTRA)
6	E46-7101	SPOOL WASHER
7	F70-4901	SPOOL CLICK LEAF SPRING
8	E12-2308	CLICK LEAF SPRING HOLDER
9	F81-1501	CLICK GEAR
12	G20-5901	MAIN SHAFT
13	G06-1601	OSC SLIDER
14	351-0315	OSC SLIDER SCREW
15	F33-6102	ROTOR NUT
16	G20-6205	ROTOR
17	G01-8601	LINE ROLLER SCREW
18	G20-6401	BAIL ARM
19	G22-4901	BAIL ARM SCREW
20	F89-7101	LINE ROLLER WASHER
21	G28-5701	BALL BEARING A
22	F62-5001	LINE ROLLER
23	351-6101	BAIL HOLDER SCREW
24	G36-8001	BAIL
25	G01-7503	BAIL SPRING SHAFT
26	G06-2401	BAIL SPRING
27	G01-7401	BAIL SPRING HOLDER
28	G20-6502	BAIL SPRING COVER
29	G20-5101	BAIL SPRING COVER SCREW
30	G19-5101	BAIL HOLDER NUT
31	G36-8301	BAIL HOLDER COVER
32	G47-3901	BAIL TRIP LEVER SPRING
33	G26-5801	BAIL TRIP LEVER
34	375-3003	BAIL TRIP LEVER WASHER
36	G19-3701	BAIL TRIP LEVER SCREW
37	G33-2701	BEARING RET SCREW
38	G19-3601	BEARING RET

Key No.	Parts No.	Parts Name
39	G33-2601	BALL BEARING B
40	G19-3501	BALL BEARING COLLAR
41	B27-5403	BALL BEARING WASHER
42	F62-2301	CLUTCH CAM RET
43	F62-2201	CLUTCH CAM
44	375-8502	CLUTCH CAM WASHER
45	F73-2501	SPACING SLEEVE
46	G22-0601	ROLLER CLUTCH
47	G28-5801	BALL BEARING C
48	375-8504	PINION WASHER
49	G06-1401	PINION GEAR
50	G36-7502	BODY
51	G19-3102	A/R LEVER
52	G19-3301	A/R CAM SPRING
53	G11-4300	OSC GEAR WASHER
54	F69-1702	OSC GEAR
55	G36-7703	REAR COVER A
56	E11-9602	REAR COVER SCREW A
57	G36-7802	REAR COVER B
58	G33-2701	REAR COVER SCREW B
59	G34-1901	BALL BEARING D
60	G06-1701	DRIVE GEAR
61	375-8500	DRIVE GEAR WASHER
62	G28-5801	BALL BEARING E
63	G36-7602	SIDE COVER
64	G33-2902	SIDE COVER SCREW A
65	G33-3002	SIDE COVER SCREW B
66	G36-7901	HANDLE
67	F72-1001	HANDLE COLLAR
68	F67-6509	HANDLE SCREW

**SPECIAL PART FOR KA2000**

Key No.	Parts No.	Parts Name
2-5	G37-0001	SPOOL
2-5	G38-4101	SPOOL (EXTRA)