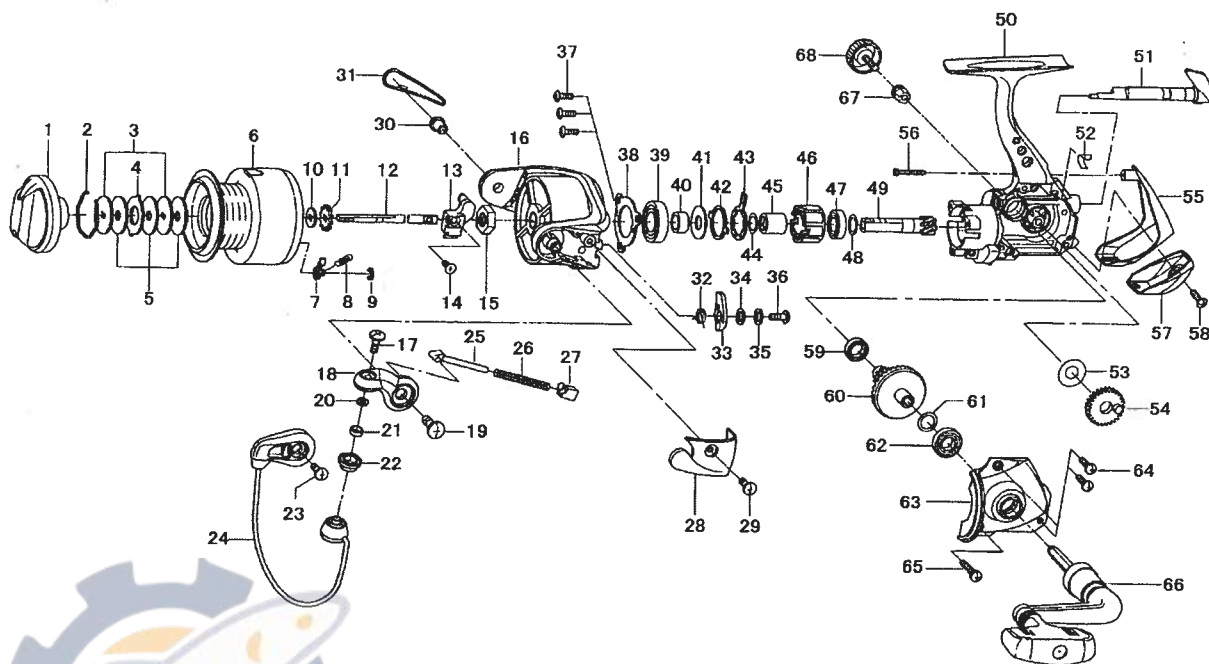


# KASTOR 2500



Key No.	Parts No.	Parts Name	Key No.	Parts No.	Parts Name
1	G35-1501	DRAG KNOB	35	375-3003	BAIL TRIP LEVER WASHER B
2	F37-3301	DRAG WASHER RET	36	G19-3701	BAIL TRIP LEVER SCREW
3	E46-7201	KEY WASHER	37	G33-2701	BEARING RET SCREW
4	373-3603	EARED WASHER	38	G19-3601	BEARING RET
5	E13-6001	DRAG WASHER	39	G33-2601	BALL BEARING B
2-9	G35-1301	SPOOL	40	G19-3501	BALL BEARING COLLAR
2-9	G37-5301	SPOOL (EXTRA)	41	B27-5403	BALL BEARING WASHER
7	B07-5304	CLICK PAWL	42	F62-2301	CLUTCH CAM RET
8	E40-3101	CLICK SPRING	43	F62-2201	CLUTCH CAM
9	320-5901	CLICK RET	44	375-8502	CLUTCH CAM WASHER
10	E46-7101	SPOOL WASHER	45	F73-2501	SPACING SLEEVE
11	F81-1501	CLICK GEAR	46	G22-0601	ROLLER CLUTCH
12	G01-6701	MAIN SHAFT	47	G28-5801	BALL BEARING C
13	G01-6501	OSC SLIDER	48	375-8504	PINION WASHER
14	351-0315	OSC SLIDER SCREW	49	G34-3101	PINION GEAR
15	F33-6102	ROTOR NUT	50	G33-2502	BODY
16	G19-4005	ROTOR	51	G19-3101	A/R LEVER
17	G01-8601	LINE ROLLER SCREW	52	G19-3301	A/R CAM SPRING
18	G19-4501	BAIL ARM	53	F76-7700	OSC GEAR WASHER
19	G22-4901	BAIL ARM SCREW	54	F67-7401	OSC GEAR
20	F89-7101	LINE ROLLER WASHER	55	G33-3103	REAR COVER A
21	G28-5701	BALL BEARING A	56	G34-3701	REAR COVER SCREW A
22	F62-5001	LINE ROLLER	57	G33-3202	REAR COVER B
23	351-6101	BAIL HOLDER SCREW	58	G33-2701	REAR COVER SCREW B
24	G33-3301	BAIL	59	G34-1901	BALL BEARING D
25	G01-7504	BAIL SPRING SHAFT	60	G34-3201	DRIVE GEAR
26	G01-7701	BAIL SPRING	61	375-8500	DRIVE GEAR WASHER
27	G01-7401	BAIL SPRING HOLDER	62	G28-5801	BALL BEARING E
28	G19-4602	BAIL SPRING COVER	63	G33-2802	SIDE COVER
29	G20-5101	BAIL SPRING COVER SCREW	64	G33-2902	SIDE COVER SCREW A
30	G19-5101	BAIL HOLDER NUT	65	G33-3002	SIDE COVER SCREW B
31	G33-3701	BAIL HOLDER COVER	66	G35-1201	HANDLE
32	G19-4101	BAIL TRIP LEVER SPRING	67	F72-1001	HANDLE COLLAR
33	G26-5501	BAIL TRIP LEVER	68	F67-6509	HANDLE SCREW
34	375-3002	BAIL TRIP LEVER WASHER A			