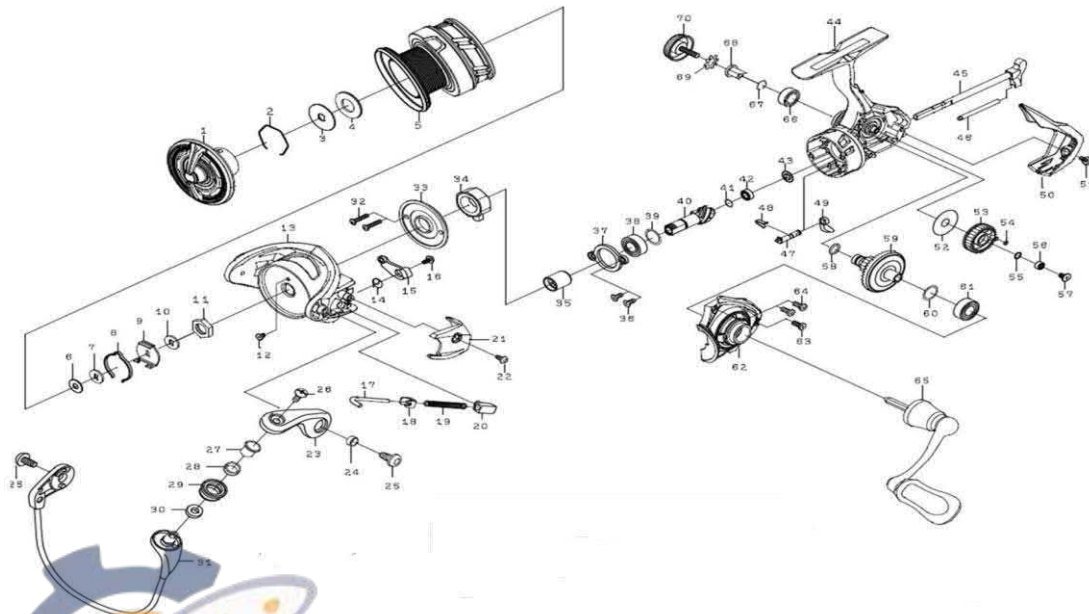


DAWA

SPINNING REEL

LGLT1000D

Please order by parts number, not key number
 Veuillez indiquer le numéro de la pièce (Non "Key" No.)



Key No.	Part No.	Part Name	Key No.	Part No.	Part Name
1	Q37-6801	DRAG KNOB	36	Q12-6201	SCREW B
2	Q34-6101	DRAG RETAINER	37	Q19-5601	PINION BEARING PLT
3	J54-7001	DRAG DISC WASHER	38	G46-7302	BALL BEARING
4	J67-8901	DRAG WASHER	39	375-8502	DRIVE GEAR WASHER
5	Q40-3001	SPOOL ASSEMBLY	40	Q37-5701	PINION GEAR
6	Q34-8502	SPOOL WASHER	41	H93-1701	SPRING WASHER
7	E39-8003	SPOOL WASHER	42	H95-9601	BALL BEARING
8	J52-5101	CLICK LEAF SPRING	43	J38-7701	PINION GEAR COLLAR
9	J54-6201	CLICK LEAF SPRING HOLDER	44	Q40-2701	BODY
10	Q34-4001	CLICK LEAF WASHER	45	Q37-5301	MAIN SHAFT
11	Q12-2401	ROTOR NUT	46	Q11-9104	OSC SUPPORT POST
12	H02-2701	LINE GUARD SCREW	47	Q11-8101	A/R CAM
13	Q13-9510	ROTOR	48	H69-7801	A/R CAM SPRING
14	H44-3301	BAIL TRIP LEVER SPRING	49	Q11-8001	A/R LEVER
15	Q13-9601	BAIL TRIP LEVER	50	Q37-6201	REAR COVER
16	H41-7701	SCREW	51	Q34-2901	SCREW
17	Q13-9801	BAIL SPRING SHAFT	52	H60-7902	WASHER
18	H57-6101	BAIL SPRING PLATE	53	Q37-5201	OSC GEAR
19	H44-2401	BAIL SPRING	54	H77-0601	O'RING
20	Q12-1501	BAIL SPRING HOLDER	55	H12-9201	WASHER
21	Q14-6501	COVER	56	G46-9005	BALL BEARING
22	Q34-2901	SCREW	57	Q12-6101	SCREW A
23	Q12-1607	BAIL ARM LEVER	58	G67-0501	O'RING
24	Q12-1701	COLLAR	59	Q37-5901	DRIVE GEAR
25	Q34-3401	BAIL ARM SCREW	60	375-8502	DRIVE GEAR WASHER
26	G19-5602	SCREW	61	G46-7302	BALL BEARING
27	G19-5501	COLLAR B	62	Q40-2901	SIDE COVER
28	G22-0701	COLLAR	63	Q34-2701	BODY COVER SCREW
29	J08-9901	LINE ROLLER	64	Q34-2601	BODY COVER SCREW
30	Q20-3401	COLLAR A	65	Q40-3301	HANDLE ASSEMBLY
31	Q13-9901	BAIL ASSEMBLY	66	G52-2706	BALL BEARING
32	G83-7101	SCREW	67	G47-2401	BEARING RETAINER
33	Q13-9401	SEALED PLATE	68	F72-1001	HANDLE COLLAR
34	Q30-8301	ROLLER CLUTCH	69	160-8401	HANDLE SCREW WASHER
35	J00-1401	SPACING SLEEVE	70	Q13-2401	HANDLE SCREW