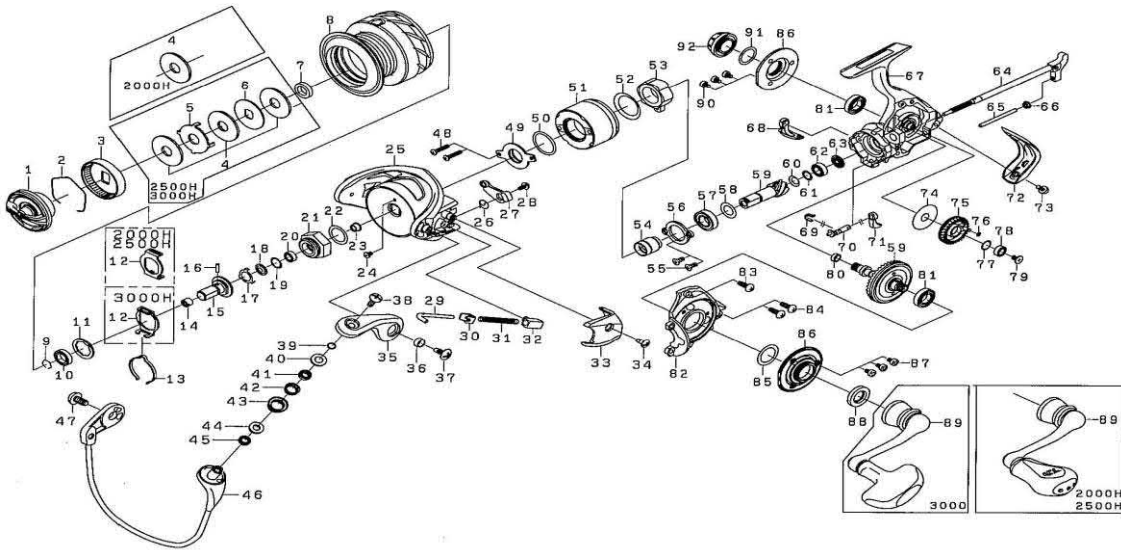


LUVIAS 2000-3000H



Key No.	LUVIAS2000H Part No.	Part Name	LUVIAS 2500H Part No.	LUVIAS 3000H Part No.
1	J23-5401	DRAG KNOB	J21-7801	J21-7801
2	F74-2501	DRAG WASHER RET	F71-0001	F71-0001
3	F90-8703	DRAG KNOB CLICK PLT	F89-5307	F89-5307
4	J39-8201	ATD-DRAG WASHER KIT	J39-8301	J39-8501
5	-	EARED WASHER	F69-5701	F62-5301
6	-	KEY WASHER	F63-5101	F62-7201
7	H41-6301	DRAG COLLAR	H41-6301	H41-6301
2-8	J43-0801	SPOOL ASSEMBLY	J43-1101	J43-1401
9	G47-2401	BARING RET	G47-2401	G47-2401
10	G81-8902	DRAG COLLAR	G81-8902	G81-8902
11	H80-6300	WASHER A	H80-6300	H80-6300
12	H41-6001	CLICK HOLDER	H41-6001	H41-6001
13	H41-6101	CLICK LEAF SPRING	H41-6101	H41-6101
14	J18-0801	SPOOL METAL NUT	J18-0801	J18-0801
15	H41-5901	SPOOL METAL	H41-5901	J18-1401
16	G37-5601	BEARING RET	G37-5601	G37-5601
17	G47-1501	PACKING	G47-1501	G47-1501
18	H41-5701	WASHER	H41-5701	H46-1201
19	G46-6103	WASHER	G46-6103	G46-6103
20	G46-6205	BALL BEARING	G46-6205	G46-6205
21	H80-5201	ROTOR NUT	H80-5201	H80-5201
22	372-7601	WASHER	371-2824	371-2824
23	H85-4701	COLLAR	H85-4801	H85-4901
24	H02-2701	SCREW	H02-2701	H02-2701
25	H97-4314	ROTOR	H96-0016	H98-6317
26	H44-3301	BAIL TRIP LEVER SPRING	H41-3601	H41-3601
27	H44-3401	BAIL TRIP LEVER	J03-8501	J07-2301
28	H41-7701	SCREW	H41-7701	H41-7701
29	H44-3601	BAIL SPRING SHAFT	H41-4101	H57-2001
30	H57-6101	BAIL SPRING PLT	H57-6101	H57-6101
31	H44-2401	BAIL SPRING	H54-5701	J08-9301
32	H41-4301	BAIL SPRING HOLDER	H41-4301	J08-9301
33	H97-4401	COVER (A)	H96-0201	H98-6401
34	G27-0801	SCREW	G27-0801	G27-0801
35	H96-0104	BAIL ARM	H96-0104	H96-0104
36	H96-2401	COLLAR	H96-2401	H96-2401
37	G20-5001	SCREW	G20-5001	G20-5001
38	H69-7701	SCREW	H69-7701	H69-7701
39	H96-1001	COLLAR	H96-1001	H96-1001
40	H03-8301	PACKING (B)	H03-8301	H03-8301
41	G68-6903	BALL BEARING	G68-6903	G68-6903
42	H96-0901	COLLAR E	H96-0901	H96-0901
43	G68-6703	LINE ROLLER	G68-6703	G68-6703
44	H96-0801	COLLAR	H96-0801	H96-0801
45	H96-0701	COLLAR	H96-0701	H96-0701
46	H97-4501	BAIL ASSEMBLY	H96-0301	H98-6501
47	G20-5001	SCREW	G20-5001	G20-5001
48	H59-6502	SCREW	H59-6502	H59-6502
49	J35-4401	MAGNET ASSEMBLY	J35-4401	J35-4401
50	J35-4801	O RING (A)	J35-4801	J35-4801
51	J43-1802	COVER (B)	J43-1802	J43-1802
52	H97-9201	WASHER	H97-9201	H97-9201
53	H41-2601	ROLLER CLUTCH	H41-2601	H41-2601
54	H87-9601	PACKING SLEEVE	H87-9601	H87-9601
55	G99-7301	SCREW	G99-7301	G99-7301
56	H73-9101	BEARING RET	H73-9101	H73-0101
57	G27-9602	BALL BEARING	G27-9602	G27-9602
58	375-8500	WASHER	375-8500	H41-1400
59	Z02-1279	PINION + DRIVE GEAR UNIT	Z02-1280	Z02-1642
60	H81-4900	SPRING WASHER	H81-4900	G57-2500
61	E09-6500	WASHER	E09-6500	375-5200
62	H73-8902	BALL BEARING	H73-8902	G46-7101
63	H41-1201	COLLAR	H41-1201	H45-9401
64	J18-0001	MAIN SHAFT	J18-0201	J18-0601
65	H73-8701	STABILIZER BAR	H73-8701	H73-8201
66	H73-8801	COLLAR	H73-8801	H77-8801
67	J21-7201	BODY	J21-7201	J23-6101
68	H75-4301	BAIL TRIP PLT	H73-7801	H73-7801
69	H80-9201	A/R CAM SPRING	H80-9201	H80-9201
70	H73-8201	A/R CAM	H73-8201	H73-8201
71	H41-0106	A/R LEVER	H41-0106	H41-0106
72	H83-6703	REAR COVER	H83-6703	H85-0703
73	H83-6801	SCREW	H83-6801	H85-0801
74	H60-7902	WASHER	H60-7902	H54-5402
75	H78-8901	OSC GEAR	H73-8301	H45-8902
76	G68-3301	O RING	G68-3301	G86-9601
77	H12-9200	WASHER	H12-9200	G46-6100
78	G46-9005	BALL BEARING	G46-9005	G46-6202
79	G99-7001	SCREW	G99-7001	G99-7001
80	H45-5601	RING	H45-5601	H45-9901
81	H73-9703	BALL BEARING	H73-9703	H73-9703
82	H74-0108	SIDE COVER	H74-0108	H77-9505
83	351-1010	SCREW	351-1010	351-1010
84	G99-7701	SCREW	G99-7701	G99-7701
85	G46-8000	WASHER	G46-8000	G46-8000
86	J21-6001	BODY COVER	J21-6001	J23-6201
87	H74-0301	SCREW	H74-0301	H74-0301
88	H86-6201	PACKING	H86-6201	H86-6201
89	J43-0701	HANDLE ASSEMBLY	J43-1001	J43-1301
90	H74-0002	SCREW	H74-0002	H74-0002
91	G39-9702	O RING	G39-9702	G39-9702
92	H74-5101	HANDLE SCREW CAP	H74-5101	H74-5101