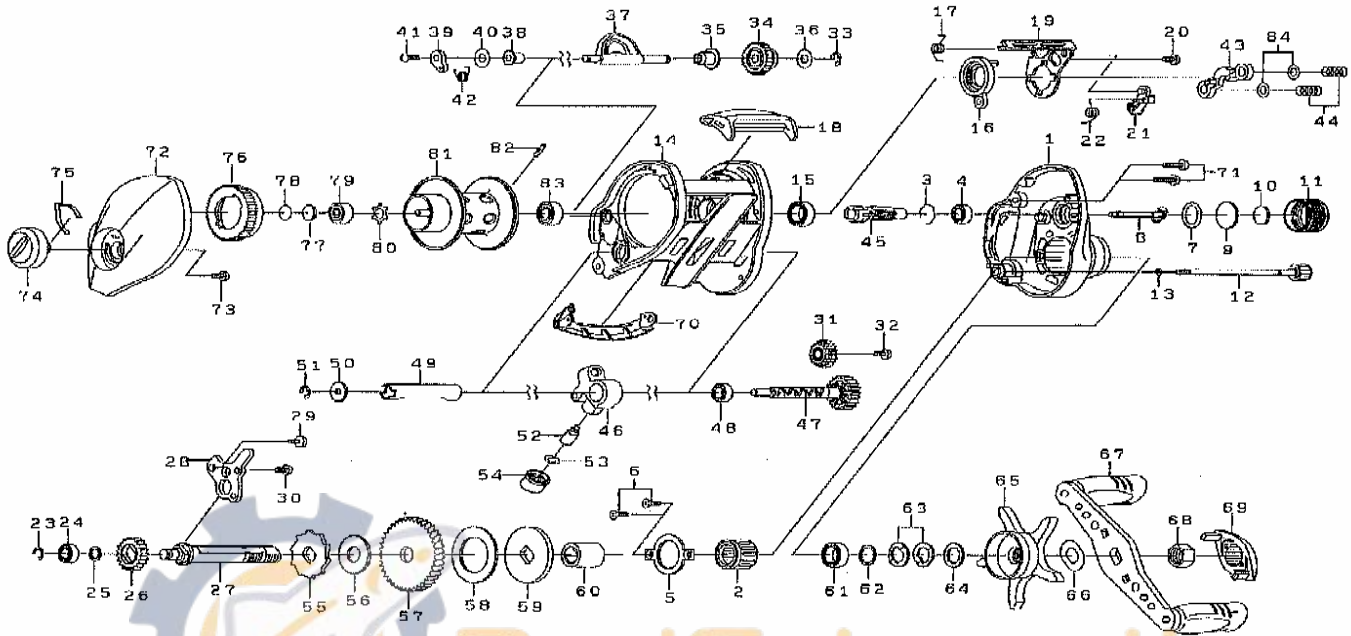


Please order by parts number, not key number
 Veuillez indiquer le numéro de la pièce.



MEGAFORCE 100TSHL



MEGAFORCE 100TSHL

Key No.	Parts No.	Parts Name	Key No.	Parts No.	Parts Name
1	G97-4201	Left side plate	42	G97-5101	Lever spring
2	G93-0501	Roller clutch	43	G97-5201	Yoke
3	B42-1601	Bearing retainer (A)	44	G85-0301	Yoke spring
4	B35-8607	Ball bearing (A)	45	G97-5301	Pinion gear
5	G93-0901	Handle metal plate	46	G93-3701	Line guide
6	G27-0701	Handle metal plate screw	47	G93-9901	Worm shaft assembly
7	B05-5201	'O' Ring (A)	48	G05-1701	Bearing
8	G93-1001	Pinion shaft	49	G93-4201	Level wind guard
9	375-7501	Spool adjusting cap metal	50	F65-5501	Worm shaft washer
10	B17-5503	Spacer (A)	51	320-5901	Worm shaft retainer
11	G96-9801	Cast control cap	52	F51-6501	Line guide pawl
12	G93-1101	Left side plate screw (A)	53	373-1300	Line guide washer
13	B85-3101	"O" ring (B)	54	F40-2801	Pawl cap
14	G97-4301	Frame assembly	55	G93-4301	Clutch wheel
15	B86-1704	Ball bearing (B)	56	G93-4401	Drive shaft washer
16	G97-4401	Clutch cam (A)	57	G97-5401	Drive gear (B)
17	G97-4501	Clutch cam spring (A)	58	G93-4601	Drag washer
18	G93-1801	Clutch lever	59	G93-4701	Key washer
19	G97-4601	Clutch cam (B)	60	G93-4801	Gear shaft collar
20	G19-3701	Clutch cam screw	61	B86-1704	Ball bearing (B)
21	G97-4701	Clutch trip lever	62	B55-3801	Bearing washer
22	G97-4801	Clutch cam spring (B)	63	150-8901	Drag spring washer
23	320-8002	Retainer (A)	64	373-7810	Spacing sleeve
24	G05-1701	Bearing	65	G93-4902	Star drag
25	E09-6501	Washer (A)	66	150-9001	Friction washer
26	G93-2201	Drive gear (A)	67	G93-5301	Handle assembly
27	G93-2302	Drive shaft	68	F84-9904	Handle nut
28	G93-2401	Drive shaft retainer	69	G96-9901	Handle nut plate
29	G19-3701	Drive shaft retainer screw (A)	70	G97-5501	Front plate
30	G17-1402	Drive shaft retainer screw (B)	71	F93-9701	Left side plate screw (B)
31	G93-2501	Idle gear	72	G97-5601	Right side plate
32	G19-3701	Idle gear screw	73	F21-2201	Set plate screw
33	320-1402	Retainer (B)	74	G93-6201	Brake adjusting knob
34	G97-4901	Gear assembly	75	H08-4401	Brake click spring
35	G93-2801	Bushing (A)	76	H02-9701	Magnet holder
36	G82-3801	Washer (B)	77	375-7411	Spacer (B)
37	G97-5001	Lever	78	375-7404	Spacer (C)
38	G93-3101	Bushing (B)	79	G51-1504	Ball bearing (C)
39	G93-3201	Plate	80	G93-6301	Bearing retainer (B)
40	G53-9402	Washer (C)	81-83	G93-6401	Spool assembly
41	G01-6001	Lever screw	84	B41-1706	Yoke washer