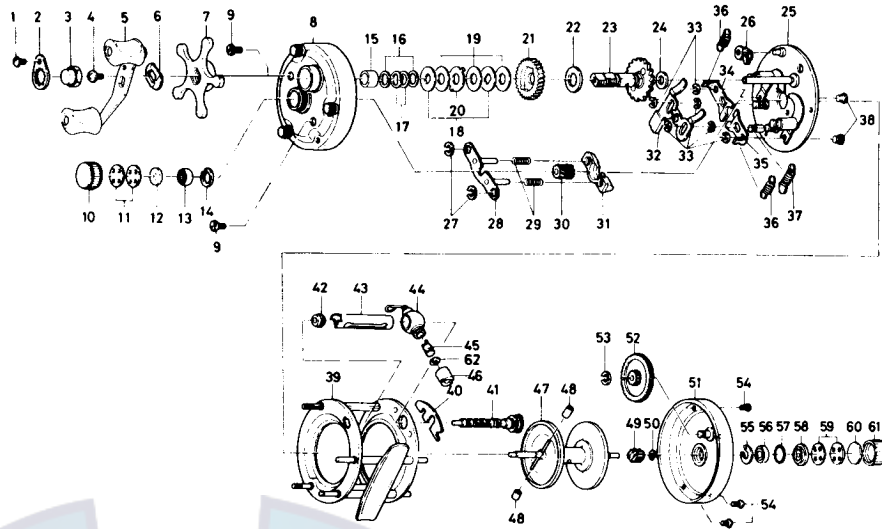


**BAITCASTING REEL  
MILLIONAIRE 4H**



Key No.	Parts No.	Parts Name	Price Per Piece	Key No.	Parts No.	Parts Name	Price Per Piece
1	6-353-8301	Handle nut plate screw	\$ .10	32	6-780-9601	Clutch lever	\$1.55
2	6-040-3201	Handle nut plate	.40	33	6-320-8202	Clutch ret. ring	.10
3	6-341-5801	Handle nut	.55	34	6-040-4701	Clutch stopper plate A	.50
4	6-353-0701	Handle screw	.10	35	6-040-4801	Clutch stopper plate B	.50
5	6-745-8703	Handle assembly	3.65	36	6-142-8503	Set plate spring A	.20
6	6-150-9001	Handle washer	.10	37	6-142-8502	Set plate spring B	.15
7	6-550-3101	Star drag	1.10	38	6-121-6801	Set plate guide pin	.10
8	6-780-9410	Right side cover assembly	7.00	39	6-780-9902	Frame assembly	10.50
9	6-353-1701	Right side cover screw	.20	40	6-151-4111	Worm shaft lock arm	.10
10	6-342-0801	Right spool cap	1.20	41	6-710-7711	Worm shaft	3.10
11	6-373-7502	Bearing metal ret. washer	.10	42	6-021-7201	Shield bush	.15
12	6-320-4101	Bearing metal retainer A	.20	43	6-634-6101	Worm shield	1.15
13	6-634-5311	Bearing metal	.50	44	6-781-0201	Line guide	2.45
14	6-320-6501	Bearing metal ret. ring	.15	45	6-121-4211	Line guide pin	.80
15	6-501-8701	Spacing sleeve	.25	46	6-341-5901	Line guide nut	.50
16	6-373-7803	Disc washer	.10	47	6-735-3701	Spool	9.00
17	6-150-8901	Drag washer spring	.15	48	6-500-8011	Brake collar	.15
18	6-374-9601	Drag washer A	.10	49	6-402-2001	Spool gear	.70
19	6-374-9305	Drag washer B	.15	50	6-320-4202	Spool gear ret. ring	.10
20	6-375-8701	Drag washer C	.20	51	6-781-0320	Left side cover assembly	6.00
21	6-413-0312	Drive gear	3.80	52	6-413-0001	Cog wheel	.40
22	6-374-9303	Gear shaft washer A	.20	53	6-320-8002	Cog wheel ret. ring	.10
23	6-725-4611	Gear shaft assembly	2.85	54	6-352-4221	Left cover screw	.15
24	6-373-7611	Gear shaft washer B	.10	55	6-320-6501	Bearing metal ret. ring	.15
25	6-780-9501	Set plate assembly	10.45	56	6-634-5311	Bearing metal	.50
26	6-770-0301	Anti-reverse claw	.50	57	6-170-6701	"O" ring	.30
27	6-320-8002	P. yoke guide plate ret. ring	.10	58	6-375-2401	Bearing metal retainer B	.10
28	6-780-9701	Pinion yoke guide plate	1.00	59	6-373-7502	Bearing metal ret. washer	.10
29	6-143-9311	Pinion yoke spring	.10	60	6-374-7221	Rubber washer	.10
30	6-750-2401	Pinion gear	1.90	61	6-342-1001	Left spool cap	1.70
31	6-635-9201	Pinion yoke	.35	62	6-375-0800	Line guide washer	.10