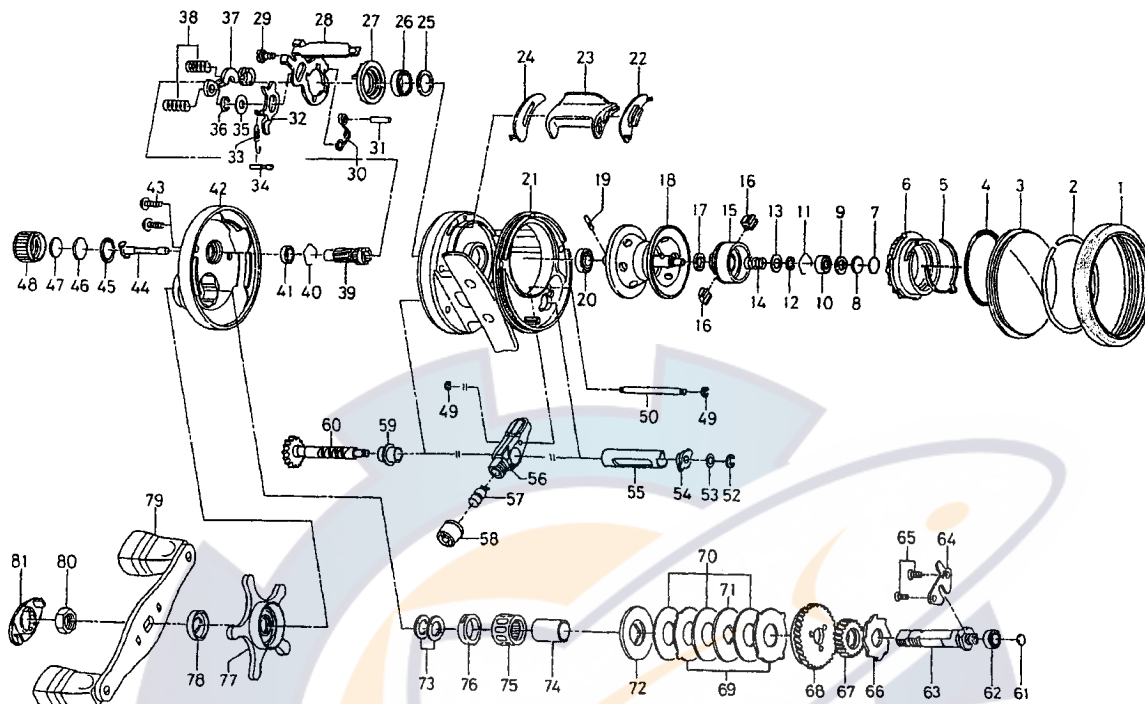




BAITCASTING REEL

MILLIONAIRE-CV-X103LA



Key No.	Parts No.	Parts Name	Key No.	Parts No.	Parts Name
1	G00-2202	R/S OUTER RING	45	171-5201	O RING B
2	G00-1301	BEARING RET A	46	B17-5401	SPOOL ADJ CAP METAL
3	G06-7702	R/S PLT	47	B17-5503	SPACER
4	G00-2301	O RING A	48	F57-4403	CAST CONTROL CAP
5	F79-8001	BRAKE CLICK SPRING	49	B86-4101	STABILIZER BAR RET
6	G00-2401	BRAKE ADJ KNOB	50	F97-3201	STABILIZER BAR
7	375-7404	SPACER A	52	320-5901	WORM SHAFT RET
8	375-7411	SPACER B	53	373-1303	WORM SHAFT WASHER
9	F57-4303	SPACER C	54	F79-5801	WORM SHAFT HOLDER A
10	E08-8003	BALL BEARING A	55	F79-5101	LEVEL WIND GUARD
11	E21-9701	BEARING RET B	56	G05-0402	LINE GUIDE
12-20	Z01-2021	SPOOL	57	F96-6001	LINE GUIDE PAWL
21	G13-4401	FRAME	58	F40-2803	PAWL CAP
22	G00-0202	CLUTCH LEVER PLT A	59	F79-5501	WORM SHAFT HOLDER B
23	G00-0404	CLUTCH LEVER	60	F84-9102	WORM SHAFT
24	G00-0302	CLUTCH LEVER PLT B	61	F57-5601	DRIVE SHAFT WASHER
25	F79-3401	CLUTCH CAM RET	62	B55-0301	BUSHING B
26	B86-1702	BALL BEARING B	63	G02-2502	DRIVE SHAFT
27	F99-7401	CLUTCH CAM	64	G06-7601	DRIVE SHAFT RET
28	G06-7201	YOKE PLT	65	E13-4501	DRIVE SHAFT RET SCREW
29	F79-3801	CLUTCH CAM SCREW	66	F76-1701	A/R RATCHET
30	F99-8101	CLUTCH SPRING	67	G00-1501	DRIVE GEAR A
31	F79-4401	PIN A	68	G06-8001	DRIVE GEAR B
32	G06-7301	CLUTCH TRIP PLT	69	F79-6101	EARED WASHER
33	F79-4701	CLUTCH TRIP PLT SPRING	70	F96-7801	DRAG WASHER
34	F79-4601	PIN B	71	F79-6301	KEY WASHER A
35	371-6905	CLUTCH TRIP PLT WASHER	72	G14-1801	KEY WASHER B
36	320-1402	CLUTCH TRIP PLT RET	73	150-8901	DRAG SPRING WASHER
37	F99-8201	YOKE	74	G14-1901	GEAR SHAFT COLLAR
38	F79-4901	YOKE SPRING	75	F99-9801	ROLLER CLUTCH
39	F99-8401	PINION GEAR	76	G05-2801	DRAG COLLAR
40	E21-9701	BEARING RET C	77	G05-0602	STAR DRAG
41	F64-8301	BUSHING A	78	F85-0401	FRICITION WASHER
42	G13-4303	L/S PLT	79	G05-0701	HANDLE
43	B67-9304	L/S PLT SCREW	80	F84-9902	HANDLE NUT
44	F80-0501	PINION SHAFT	81	F85-0004	HANDLE NUT RET