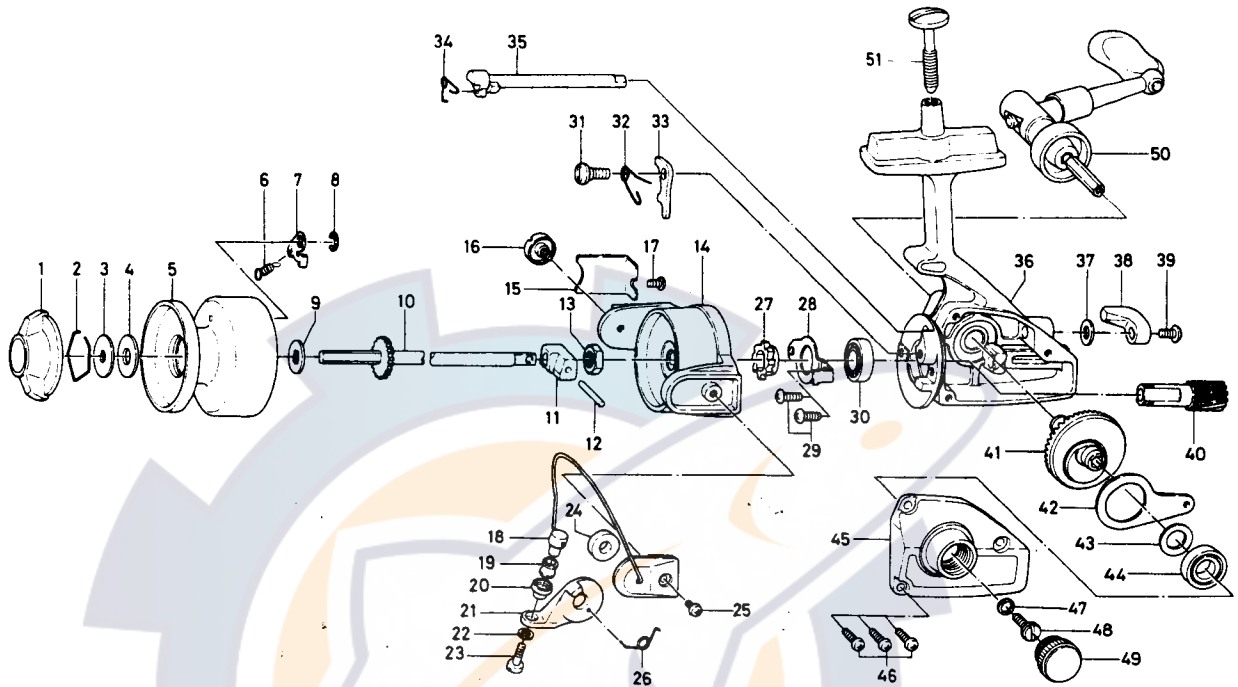


SPINNING REEL **Mini-Spin (MS-1)**



**KEY NO. 2 ~ 8**  
**6-732-2724**

**SPOOL ASSEMBLY**

Key No.	Parts No.	Parts Name	Key No.	Parts No.	Parts Name
1	6-740-2802	Drag knob	27	6-280-6211	Ratchet
2	6-170-7701	Drag washer retainer	28	6-320-8811	Ball bearing ret. washer
3	6-374-9801	Drag D washer	29	6-361-0901	Ball bearing ret. washer screw
4	6-374-3602	Disc washer	30	6-637-5701	Ball bearing
5	6-733-1910	Spool	31	6-363-4201	Anti-reverse claw screw
6	6-145-2101	Spool click claw spring	32	6-144-3711	Anti-reverse claw spring
7	6-B07-5301	Spool click claw	33	6-111-4801	Anti-reverse claw
8	6-320-5901	Spool click claw retainer	34	6-144-3611	Anti-reverse cam spring
9	6-372-3501	Spool washer	35	6-461-3601	Anti-reverse cam
10	6-711-0411	Main shaft	36	6-700-9901	Body
11	6-636-3611	Oscillating support	37	6-371-6903	Anti-reverse lever washer
12	6-121-7901	Oscillating slider pin	38	6-541-3701	Anti-reverse lever
13	6-341-9201	Rotor nut	39	6-353-4401	Anti-reverse lever screw
14	6-201-8523	Rotor	40	6-402-2201	Pinion gear
15	6-040-7101	Bail spring cover	41	6-413-4111	Drive gear
16	6-363-4301	Arm lever screw	42	6-481-1331	Oscillating slider
17	6-351-0901	Bail spring cover screw	43	6-375-8500	Drive gear washer
18	6-725-6521	Bail	44	6-636-6611	Bearing metal
19	6-250-1921	Line roller	45	6-760-2106	Body cover
20	6-501-4411	Roller collar	46	6-351-7801	Body cover screw
21	6-231-2501	Arm lever	47	6-372-4601	Handle washer
22	6-375-4301	Bail washer	48	6-362-1001	Handle screw
23	6-363-4411	Bail screw	49	6-B03-4802	Handle screw cap
24	6-210-6401	Balancer	50	6-746-3314	Handle
25	6-352-0401	Bail holder screw	51	6-363-6701	Reel retaining screw
26	6-144-3821	Bail spring			