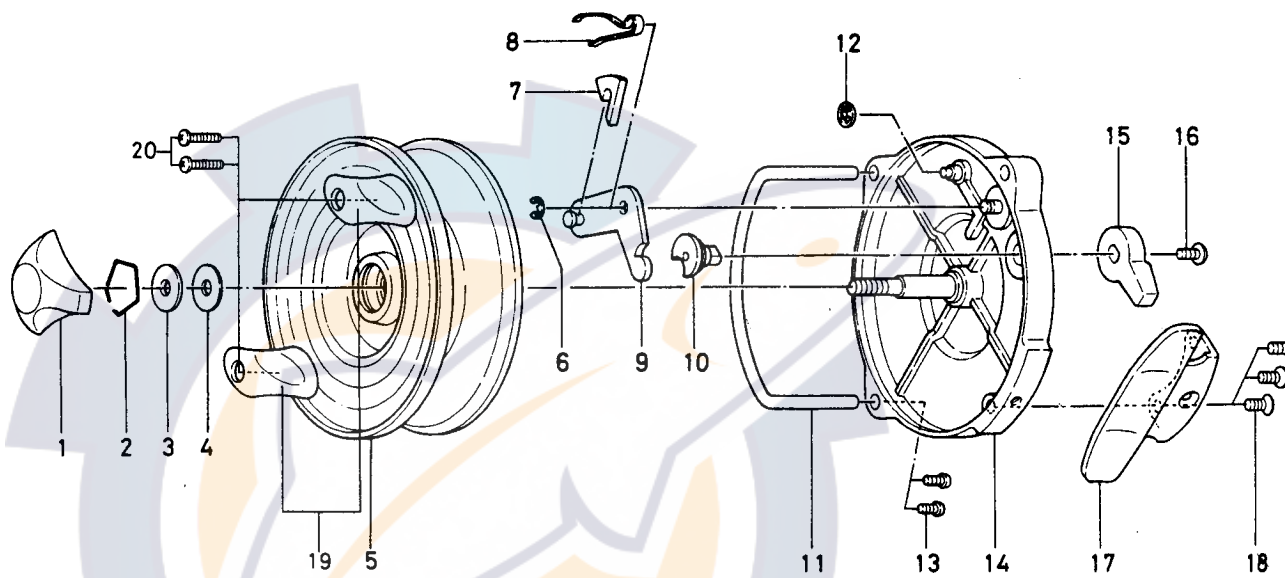


# SALMON TROLLING/MOOCHING REEL 175S



Key No. 2 ~ 5  
6-B16-5202

Spool assembly

| Key No. | Parts No. | Parts Name            |
|---------|-----------|-----------------------|
| 1       | 740-2705  | Drag knob             |
| 2       | 170-4001  | Retainer              |
| 3       | 372-0801  | Drag washer A         |
| 4       | 371-2731  | Drag washer B         |
| 5       | B54-7201  | Spool                 |
| 6       | 320-1402  | Click claw retainer A |
| 7       | B28-2301  | Click claw            |
| 8       | 151-3401  | Click spring          |
| 9       | B16-4901  | Click plate           |
| 10      | 461-0701  | Click cam             |
| 11      | B16-5101  | Line guide            |
| 12      | 320-9701  | Click claw retainer B |
| 13      | 351-1001  | Line guide screw      |
| 14      | B54-7101  | Body                  |
| 15      | 541-0601  | Click lever           |
| 16      | 352-9501  | Click lever screw     |
| 17      | 610-2101  | Leg                   |
| 18      | 353-1201  | Leg screw             |
| 19      | 100-8301  | Handle knob           |
| 20      | B16-5501  | Handle screw          |