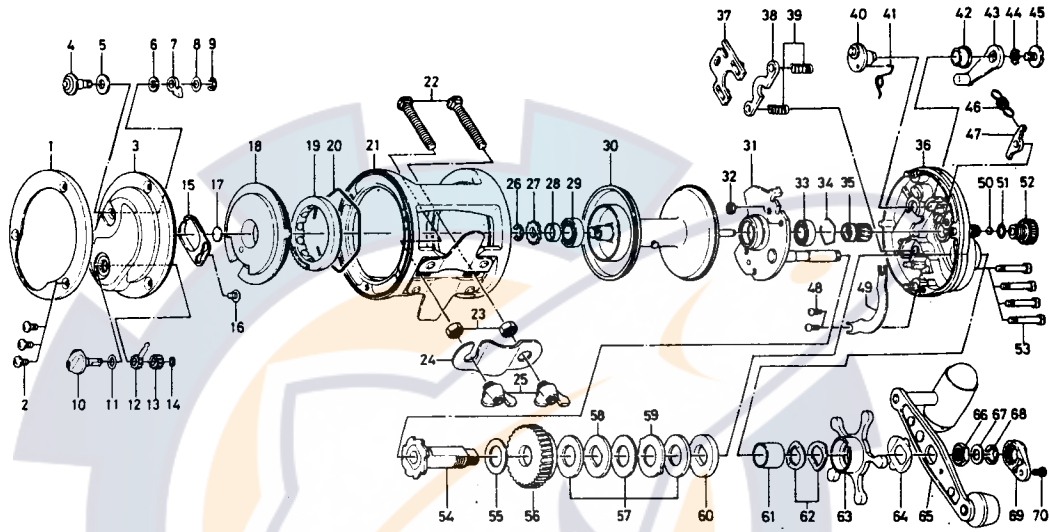


MULTIPLYING REEL **SMF 170H**



Key No.	Parts No.	Parts Name	Key No.	Parts No.	PartsName
1	B62-9001	L. S. ring	36	B62-6001	R. S. plate
2	353-6201	L. S. plate screw	37	041-5701	Eccentric jack
3	B62-8703	L. S. plate	38	041-5801	Pinion yoke
4	B62-9201	Click button	39	145-2411	Clutch spring
5	B40-3103	Click button washer	40	B12-0301	Eccentric cam
6	375-4302	Click claw washer A	41	B12-0601	Eccentric cam spring
7	B20-9301	Click claw	42	B35-2501	Clutch lever screw holder
8	373-1300	Click claw washer B	43	B12-0401	Clutch lever
9	320-5901	Click claw retainer	44	160-8001	Clutch lever lock washer
10	B62-9301	Brake adjusting knob	45	363-5301	Clutch lever screw
11	637-0601	"O" ring	46	145-2801	Anti-reverse claw spring
12	B54-1701	Brake adjusting gear A	47	B62-6801	Anti-reverse claw
13	B62-9401	Brake adjusting gear B	48	B55-7601	Body cover screw
14	320-4202	Brake adjusting gear retainer	49	B62-7201	Body cover
15	B62-9101	Click spring	50	B75-6101	Spool adjusting cap metal
16	352-2201	Click spring screw	51	B02-1901	"O" ring
17	375-7405	Bearing metal washer	52	B62-6301	Right spool cap
18	B62-7701	Magnet holder A	53	B34-3301	R. S. plate screw
19	B62-8201	Magnet holder B	54	B12-1101	Gear shaft
20	B62-8501	Magnet holder-retainer	55	375-2901	Gear shaft washer
21	B63-6503	Frame	56	B62-7101	Drive gear
22	353-9801	Rod clamp screw	57	375-9903	Drag washer A
23	341-9701	Rod clamp nut	58	376-3401	Drag washer B
24	041-5601	Rod clamp	59	376-3501	Drag washer C
25	342-2111	Rod clamp wing nut	60	376-3403	Drag washer D
26	320-7601	Click gear retainer	61	B26-8401	Spacing sleeve
27	B20-9701	Click gear	62	151-8701	Tension spring
28	B63-0401	Collar	63	782-5304	Star drag
29	B62-8601	Ball bearing	64	B17-2801	Handle washer
30	B63-1801	Spool	65	B62-7301	Handle
31	B62-6901	Set plate	66	B26-7402	Handle nut
32	B03-7201	Set plate screw ret. nut	67	371-0605	Handle nut washer
33	636-6401	Ball bearing	68	320-7601	Handle nut retainer
34	170-7701	Ball bearing retainer	69	B15-2301	Handle nut plate
35	B62-6601	Pinion gear	70	351-1801	Handle nut plate screw