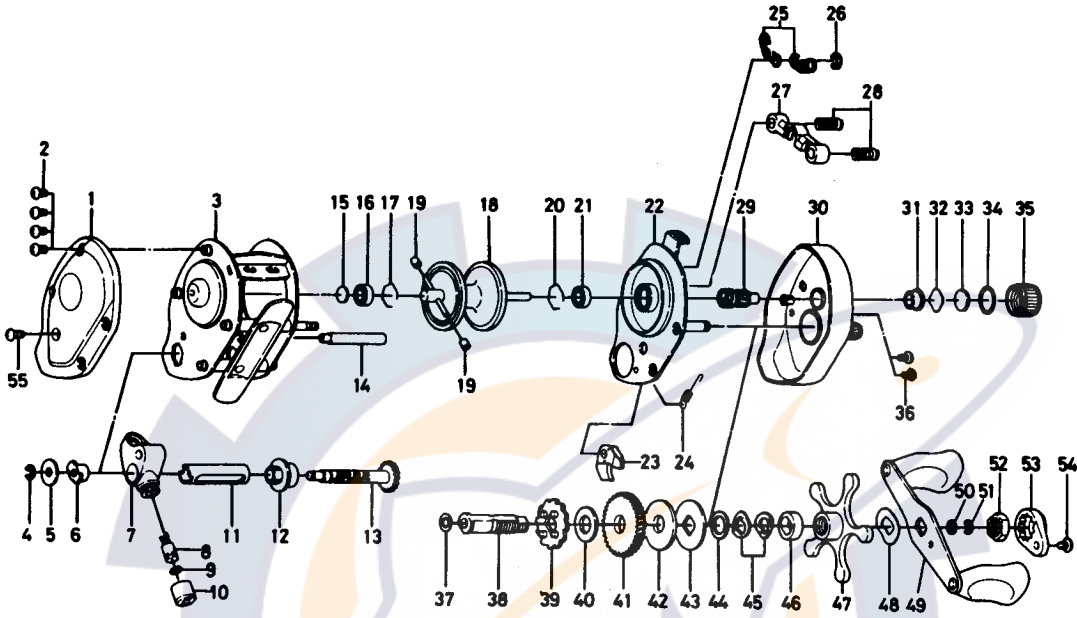
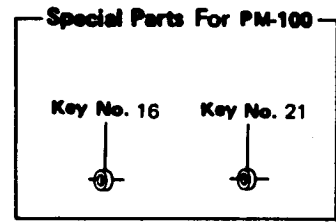


**BAITCASTING REEL
PROCASTER MINI-100/1000**



Key No.	Parts No.	Parts Name
1	B46-6001	Left side cover
2	B36-0401	Left side cover screw A
3	B46-6201	Frame
4	320-5901	Worm shaft retainer
5	376-1801	Worm shaft holder washer
6	022-2201	Worm shaft holder
7	B46-7401	Line guide
8	121-4211	Line guide pin
9	375-4100	Line guide washer
10	342-4801	Line guide nut
11	B26-9301	Worm shield
12	B36-1201	Shield bush
13	B46-7602	Worm shaft
14	B55-2001	Frame post
15	375-7405	Bearing metal washer
16	B35-8601	Ball bearing
17	B42-1601	Ball bearing retainer
18	B46-8001	Spool
19	B35-2901	Brake collar
20	B42-1601	Ball bearing retainer
21	B35-8601	Ball bearing
22	B46-4701	Set plate
23	B46-5401	Anti-reverse claw
24	B35-8901	Anti-reverse claw spring
25	B36-9101	Set plate spring
26	320-1402	Clutch ret. ring
27	B35-9001	Pinion yoke
28	144-7101	Pinion yoke spring
29	B35-9101	Pinion gear
30	B46-4501	Right side cover
31	B35-7201	Bush
32	B17-5401	Ball bearing ret. washer
33	B17-5501	Bearing metal washer
34	171-5201	"O" ring

Key No.	Parts No.	Parts Name
35	B35-7305	Right spool cap
36	B36-0401	Right side cover screw
37	373-7611	Gear shaft washer A
38	B35-9602	Gear shaft
39	B35-9701	Ratchet
40	375-7102	Gear shaft washer B
41	B36-0101	Drive gear
42	B36-0202	Drag washer A
43	B36-0301	Drag washer B
44	373-7807	Drag washer C
45	150-8901	Spring washer
46	634-5801	Bush
47	B36-0501	Star drag
48	150-9001	Handle washer
49	B46-5801	Handle
50	B41-1701	Handle nut washer
51	320-8202	Handle nut retainer
52	B43-3601	Handle nut
53	B43-3901	Handle nut plate
54	351-1801	Handle nut plate screw
55	B36-0402	Left side cover screw B
PM-100 Special Parts		
1	B46-8401	Left side cover
3	B46-8501	Frame
7	B55-6601	Line guide
16	B55-0301	Bearing
18	B46-8002	Spool
21	B55-0301	Bearing
22	B46-4702	Set plate
30	B46-4502	Right side cover
35	B35-7306	Right spool cap
47	B36-0502	Star drag
49	B46-5802	Handle
55	B36-0401	Left side cover screw A

6Y0054013