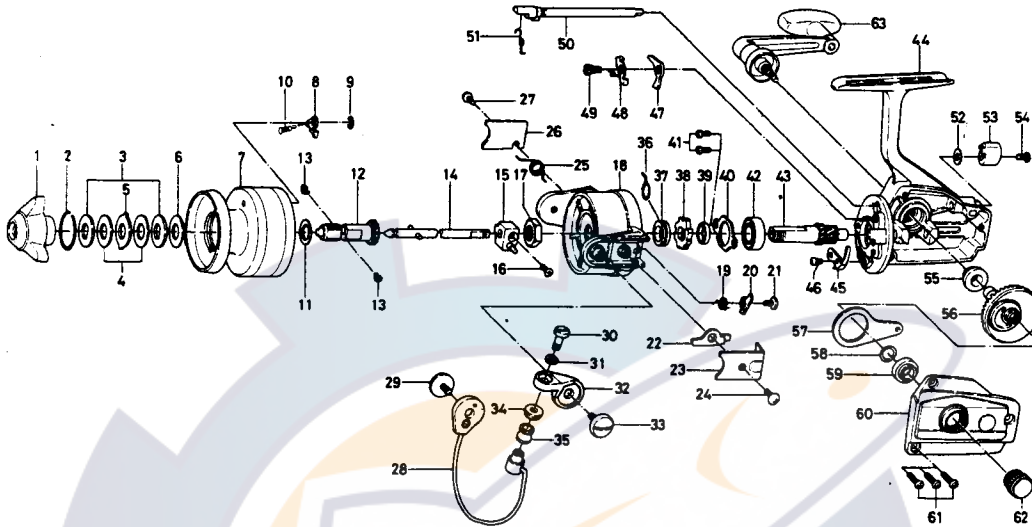


SPINNING REEL REGAL D1300



Key No.	Parts No.	Parts Name	Key No.	Parts No.	Parts Name
1	6-740-3311	Drag knob	33	6-363-5201	Arm lever screw
2	6-170-4601	Drag washer retainer	34	6-501-1601	Roller collar
3	6-374-4802	Drag D washer	35	6-250-4221	Line roller
4	6-373-3701	Disc washer	36	6-145-0901	Anti-reverse claw spring
5	6-373-3603	Drag A washer	37	6-501-9901	Spring holder
6	6-373-3704	Drag washer A	38	6-280-9001	Ratchet
7	6-733-8907	Spool	39	6-501-9801	Spacer
8	6-B07-5302	Spool click claw	40	6-321-0901	Ball bearing ret. washer
9	6-320-5901	Spool click claw retainer	41	6-351-0901	Ball bearing ret. washer screw
10	6-144-1211	Spool click claw spring	42	6-635-4801	Ball bearing
11	6-375-5701	Spool washer	43	6-403-2201	Pinion gear
12	6-720-1721	Spool metal	44	6-B38-2601	Body
13	6-151-7211	Spool metal leaf spring	45	6-B22-3101	Cam kick plate
14	6-711-4601	Main shaft	46	6-351-6601	Cam kick plate screw
15	6-637-0102	Oscillating support	47	6-111-8201	Anti-reverse claw
16	6-351-5311	Oscillating slider screw	48	6-041-7101	Anti-reverse claw plate
17	6-B10-5701	Rotor nut	49	6-363-9301	Anti-reverse claw-screw
18	6-202-1036	Rotor	50	6-461-7104	Anti-reverse cam
19	6-145-0701	Bail kick cam spring	51	6-144-0321	Anti-reverse cam spring
20	6-571-0821	Bail kick cam	52	6-371-6903	Anti-reverse lever washer
21	6-354-0701	Bail kick cam screw	53	6-541-6801	Anti-reverse lever
22	6-B26-3101	Bail kick lever	54	6-353-4401	Anti-reverse lever screw
23	6-041-7221	Bail kick lever cover	55	6-637-4511	Bearing metal
24	6-351-7701	Bail kick lever cover screw	56	6-414-1312	Drive gear
25	6-145-1011	Bail spring	57	6-481-2101	Oscillating slider
26	6-041-7301	Bail spring cover	58	6-375-8500	Drive gear washer
27	6-351-7701	Bail spring cover screw	59	6-637-4511	Bearing metal
28	6-725-8111	Bail	60	6-B38-2701	Body cover
29	6-363-5201	Bail holder screw	61	6-353-0001	Body cover screw
30	6-353-1811	Bail screw	62	6-B03-4802	Handle screw cap
31	6-375-1001	Bail washer	63	6-B15-8701	Handle
32	6-231-2901	Arm lever			