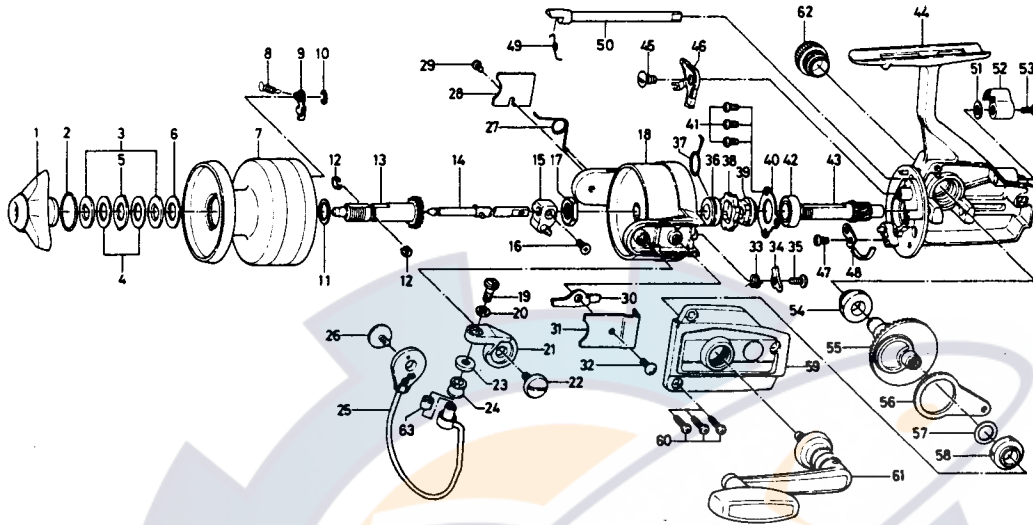


SPINNING REEL REGAL D2600



Key No.	Parts No.	Parts Name	Key No.	Parts No.	Parts Name
1	6-740-4401	Drag knob	32	6-351-7701	Bail kick lever cover screw
2	6-170-4601	Drag washer retainer	33	6-145-0701	Bail kick cam spring
3	6-376-4001	Drag D washer	34	6-571-0901	Bail kick cam
4	6-375-7802	Disc washer	35	6-351-4701	Bail kick cam screw
5	6-375-8002	Drag A washer	36	6-502-1301	Spring holder
6	6-375-7803	Drag washer A	37	6-145-2901	Anti-reverse claw spring
7	6-734-6304	Spool	38	6-280-9501	Ratchet
8	6-145-2101	Spool click claw spring	39	6-636-6711	Click gear
9	6-B07-8201	Spool click claw	40	6-635-9901	Ball bearing ret. washer
10	6-320-1402	Spool click claw retainer	41	6-635-4801	Ball bearing
11	6-376-3901	Spool washer	42	6-635-4801	Ball bearing
12	6-151-9501	Spool metal leaf spring	43	6-403-2801	Pinion gear
13	6-720-3101	Spool metal	44	6-B39-4801	Body
14	6-711-5501	Main shaft	45	6-352-1102	Anti-reverse claw screw
15	6-637-3001	Oscillating support	46	6-B33-5601	Anti-reverse claw
16	6-351-8901	Oscillating slider screw	47	6-351-6601	Cam kick plate screw
17	6-B10-5701	Rotor nut	48	6-B22-9901	Cam kick plate
18	6-202-1615	Rotor	49	6-144-0321	Anti-reverse cam spring
19	6-363-3111	Bail screw	50	6-B15-6403	Anti-reverse cam
20	6-375-1101	Bail washer	51	6-373-2700	Anti-reverse lever washer
21	6-231-3501	Arm lever	52	6-541-7301	Anti-reverse lever
22	6-363-5201	Arm lever screw	53	6-352-2501	Anti-reverse lever screw
23	6-501-2001	Roller collar	54	6-501-6101	Bearing metal
24	6-250-4501	Line roller	55	6-414-2302	Drive gear
25	6-725-8513	Bail	56	6-481-2401	Oscillating slider
26	6-363-5201	Bail holder screw	57	6-371-2800	Drive gear washer
27	6-145-2001	Bail spring	58	6-501-6101	Bearing metal
28	6-041-8801	Bail spring cover	59	6-B39-4901	Body cover
29	6-351-6101	Bail spring cover screw	60	6-351-5901	Body cover screw
30	6-571-1001	Bail kick lever	61	6-748-1001	Handle
31	6-041-8101	Bail kick lever cover	62	6-363-4701	Handle screw cap
			63	6-502-1401	Roller metal