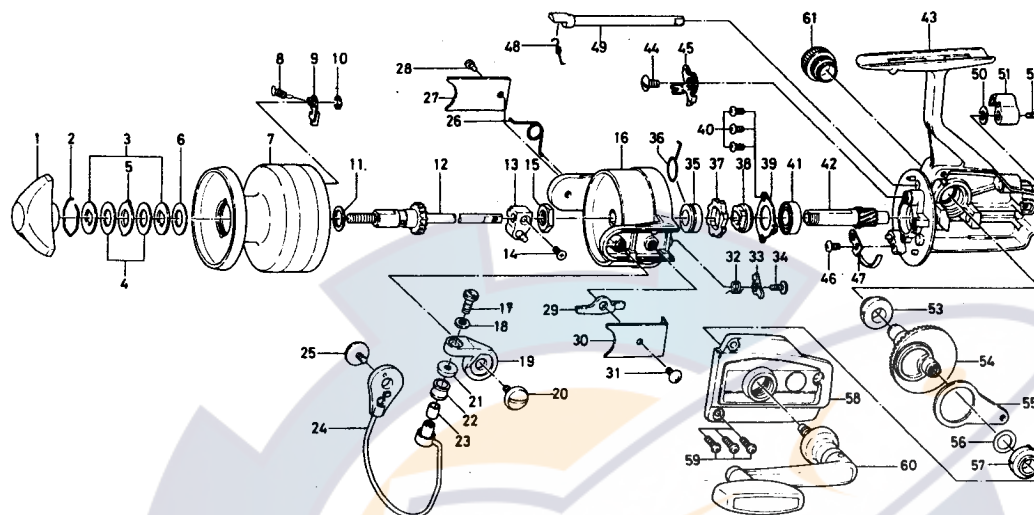


SPINNING REEL REGAL D4000 & D4000SC



SPECIAL PARTS FOR D4000SC
6-280-9702

RATCHET

| Key No. | Parts No. | Parts Name | Key No. | Parts No. | Parts Name |
|---------|-----------|-----------------------------|---------|-----------|--------------------------------|
| 1 | 000-8241 | Drag knob | 32 | 145-3001 | Bail kick cam spring |
| 2 | 170-4511 | Drag washer retainer | 33 | 571-1101 | Bail kick cam |
| 3 | 376-0101 | Drag D washer | 34 | 353-8201 | Bail kick cam screw |
| 4 | 372-6504 | Disc washer | 35 | 502-1301 | Spring holder |
| 5 | 375-5401 | Drag A washer | 36 | 145-2901 | Anti-reverse claw spring |
| 6 | 372-3004 | Drag washer A | 37 | B10-0801 | Ratchet |
| 7 | 734-7302 | Spool | 38 | 636-6711 | Click gear |
| 8 | 145-2101 | Spool click claw spring | 39 | 050-5101 | Ball bearing ret. washer |
| 9 | B07-8201 | Spool click claw | 40 | 351-6601 | Ball bearing ret. washer screw |
| 10 | 320-1402 | Spool click claw retainer | 41 | 635-5001 | Ball bearing |
| 11 | 372-9601 | Spool washer | 42 | 403-3301 | Pinion gear |
| 12 | 711-5801 | Main shaft | 43 | B39-5001 | Body |
| 13 | 637-4111 | Oscillating support | 44 | 352-1102 | Anti-reverse claw screw |
| 14 | 351-8901 | Oscillating slider screw | 45 | B24-1601 | Anti-reverse claw |
| 15 | B10-5701 | Rotor nut | 46 | 351-6601 | Cam kick plate screw |
| 16 | 202-1702 | Rotor | 47 | B22-9901 | Cam kick plate |
| 17 | 363-3111 | Bail screw | 48 | 144-0321 | Anti-reverse cam spring |
| 18 | 375-1101 | Bail washer | 49 | B15-6402 | Anti-reverse cam |
| 19 | 231-3501 | Arm lever | 50 | 373-2700 | Anti-reverse lever washer |
| 20 | 363-5201 | Arm lever screw | 51 | 541-7301 | Anti-reverse lever |
| 21 | 501-2001 | Roller collar | 52 | 352-2501 | Anti-reverse lever screw |
| 22 | 250-4501 | Line roller | 53 | 501-6101 | Bearing metal |
| 23 | 502-1401 | Roller metal | 54 | 414-2901 | Drive gear |
| 24 | 725-8701 | Bail | 55 | 481-2701 | Oscillating slider |
| 25 | 363-5201 | Bail holder screw | 56 | 371-2800 | Drive gear washer |
| 26 | B21-1801 | Bail spring | 57 | 501-6101 | Bearing metal |
| 27 | B01-4001 | Bail spring cover | 58 | B29-5101 | Body cover |
| 28 | 351-6101 | Bail spring cover screw | 59 | 351-5901 | Body cover screw |
| 29 | 571-1201 | Bail kick lever | 60 | 748-1001 | Handle |
| 30 | 041-9201 | Bail kick lever cover | 61 | 363-4701 | Handle screw cap |
| 31 | 351-6101 | Bail kick lever cover screw | | | |