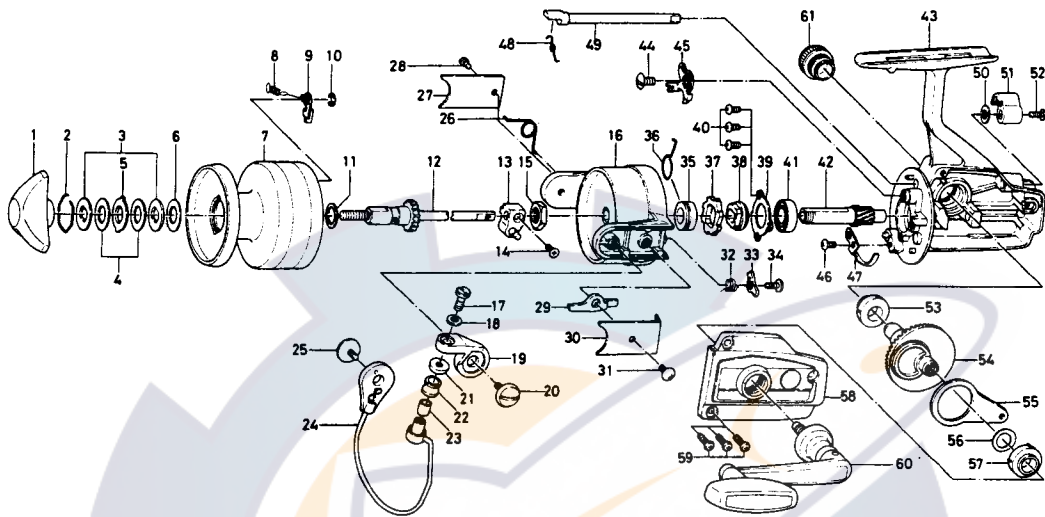




SPINNING REEL REGAL D4000 & D4000SC



SPECIAL PARTS FOR D4000SC
6-280-9702

RATCHET

Key No.	Parts No.	Parts Name	Key No.	Parts No.	Parts Name
1	6-000-8241	Drag knob	32	6-145-3001	Bail kick cam spring
2	6-170-4511	Drag washer retainer	33	6-571-1101	Bail kick cam
3	6-376-0101	Drag D washer	34	6-353-8201	Bail kick cam screw
4	6-372-6504	Disc washer	35	6-502-1301	Spring holder
5	6-375-5401	Drag A washer	36	6-145-2901	Anti-reverse claw spring
6	6-372-3004	Drag washer A	37	6-810-0801	Ratchet
7	6-734-7302	Spool	38	6-636-6711	Click gear
8	6-145-2101	Spool click claw spring	39	6-050-5101	Ball bearing ret. washer
9	6-807-8201	Spool click claw	40	6-351-6601	Ball bearing ret. washer screw
10	6-320-1402	Spool click claw retainer	41	6-635-5001	Ball bearing
11	6-372-9601	Spool washer	42	6-403-3301	Pinion gear
12	6-711-5801	Main shaft	43	6-839-5001	Body
13	6-637-4111	Oscillating support	44	6-352-1102	Anti-reverse claw screw
14	6-351-8901	Oscillating slider screw	45	6-824-1601	Anti-reverse claw
15	6-810-5701	Rotor nut	46	6-351-6601	Cam kick plate screw
16	6-202-1702	Rotor	47	6-822-9901	Cam kick plate
17	6-363-3111	Bail screw	48	6-144-0321	Anti-reverse cam spring
18	6-375-1101	Bail washer	49	6-815-6402	Anti-reverse cam
19	6-231-3501	Arm lever	50	6-373-2700	Anti-reverse lever washer
20	6-363-5201	Arm lever screw	51	6-541-7301	Anti-reverse lever
21	6-501-2001	Roller collar	52	6-352-2501	Anti-reverse lever screw
22	6-250-4501	Line roller	53	6-501-6101	Bearing metal
23	6-502-1401	Roller metal	54	6-414-2901	Drive gear
24	6-725-8701	Bail	55	6-481-2701	Oscillating slider
25	6-363-5201	Bail holder screw	56	6-371-2800	Drive gear washer
26	6-821-1801	Bail spring	57	6-501-6101	Bearing metal
27	6-801-4001	Bail spring cover	58	6-829-5101	Body cover
28	6-351-6101	Bail spring cover screw	59	6-351-5901	Body cover screw
29	6-571-1201	Bail kick lever	60	6-748-1001	Handle
30	6-041-9201	Bail kick lever cover	61	6-807-4701	Handle screw cap
31	6-351-6101	Bail kick lever cover screw			